

Viking Incognito Solo Saddlebag for Triumph Bonneville T100/T120 (left Side Only):



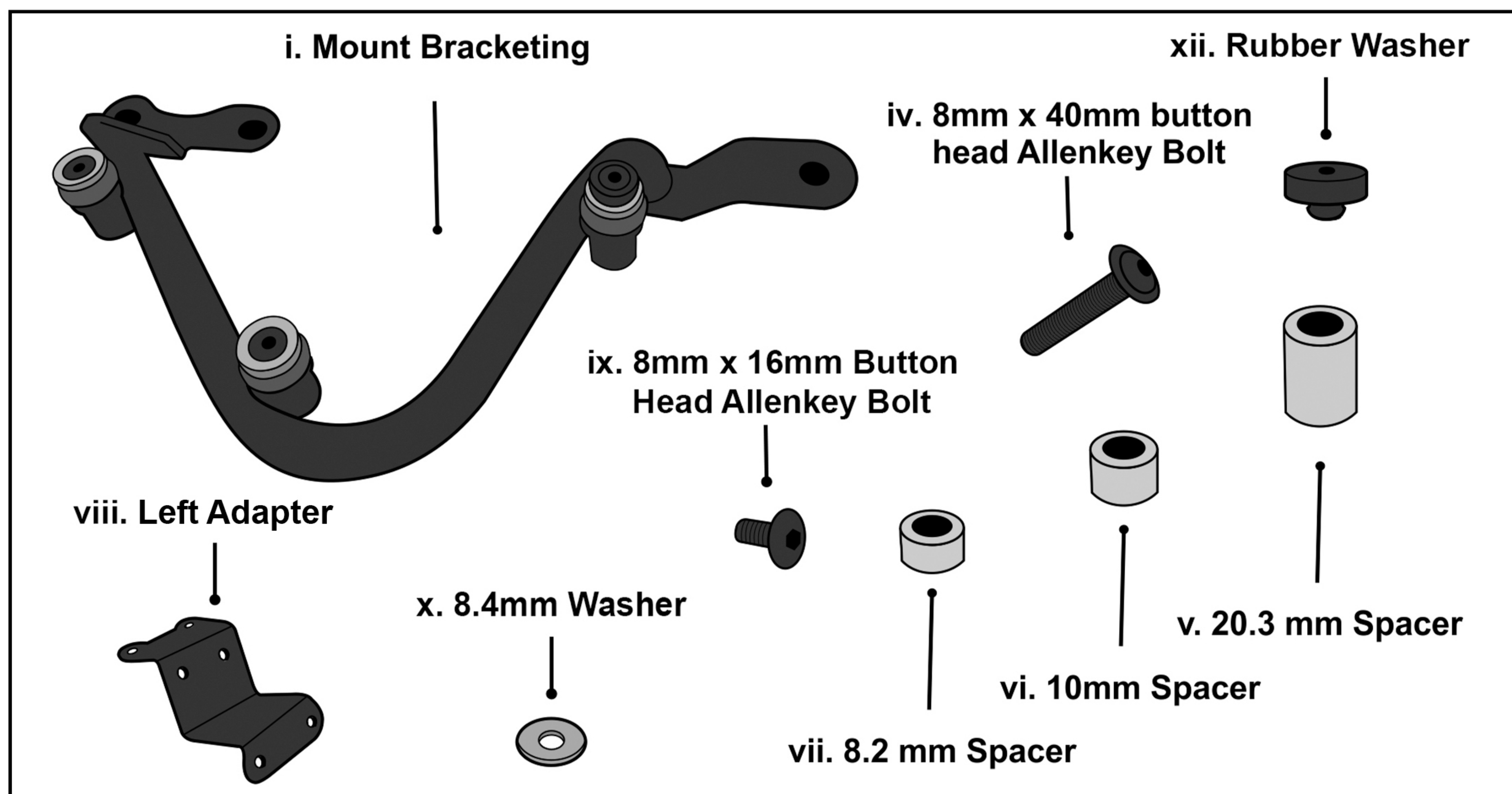
Parts:

i	Left Mounting Bracket	x1
ii	Guide Bolt	x3
iii	Lock Bolt	x1
iv	8mm x 40mm button head Allenkey Bolt	x1
v	20.3 mm Spacer	x1
vi	10mm Spacer	x1
vii	8.2 mm Spacer	x1
viii	Left Adapter	x1
ix	8mm x 16mm Button Head Allenkey Bolt	x4
x	8mm Spring Washer	x4
xi	8.4mm Washer	x2
xii	Rubber Washer	x2

Note:

- i. This installation guide shows for the right side, but the same steps are applicable for the left side as well
- ii. You may not use all the provided bolts in the kit depending on your motorcycle set up

Parts Diagram:



Parts List

Instructions:

Step 1:

Remove your motorcycle seat.

Step 2:

Note: This step is for motorcycles with a passenger grab rail, if you do not have a passenger grab rail move to step 3

Install the left mounting bracket using the provided 20.3mm spacer (v.), 8mm x 40mm button head allenkey bolts, and your motorcycle OEM shock bolt. (move to step 5)

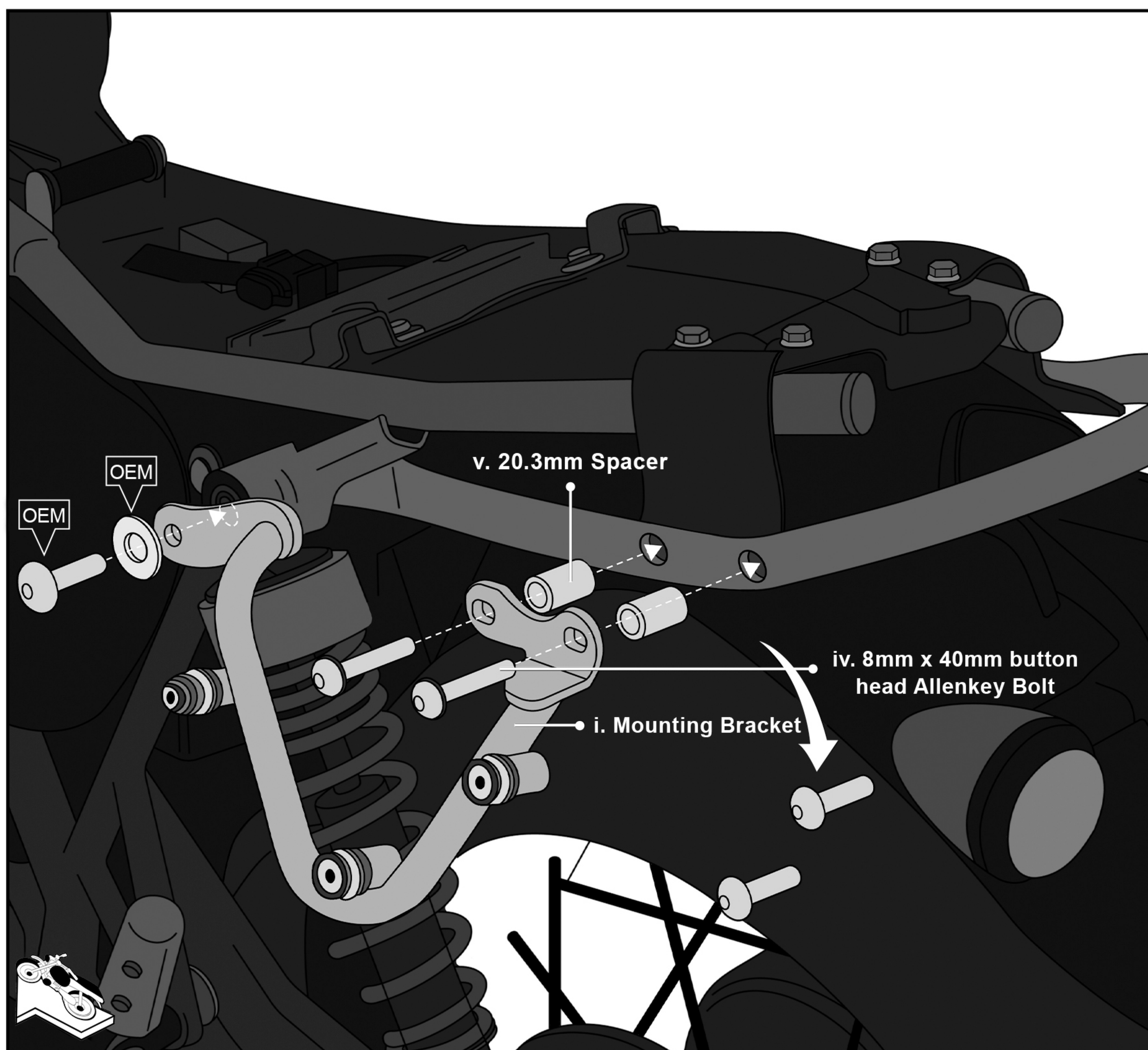


Fig 1. Installing the bracket

Step 3:

Note: Follow these steps if you do not have a passenger grab rail

Insert the rubber washer into the center openings of the adapter and take off your shock bolt. Now install the adapter (VIII.) with the provided 8mm x 16mm Button Head Allenkey bolts (IX). See Fig 2.

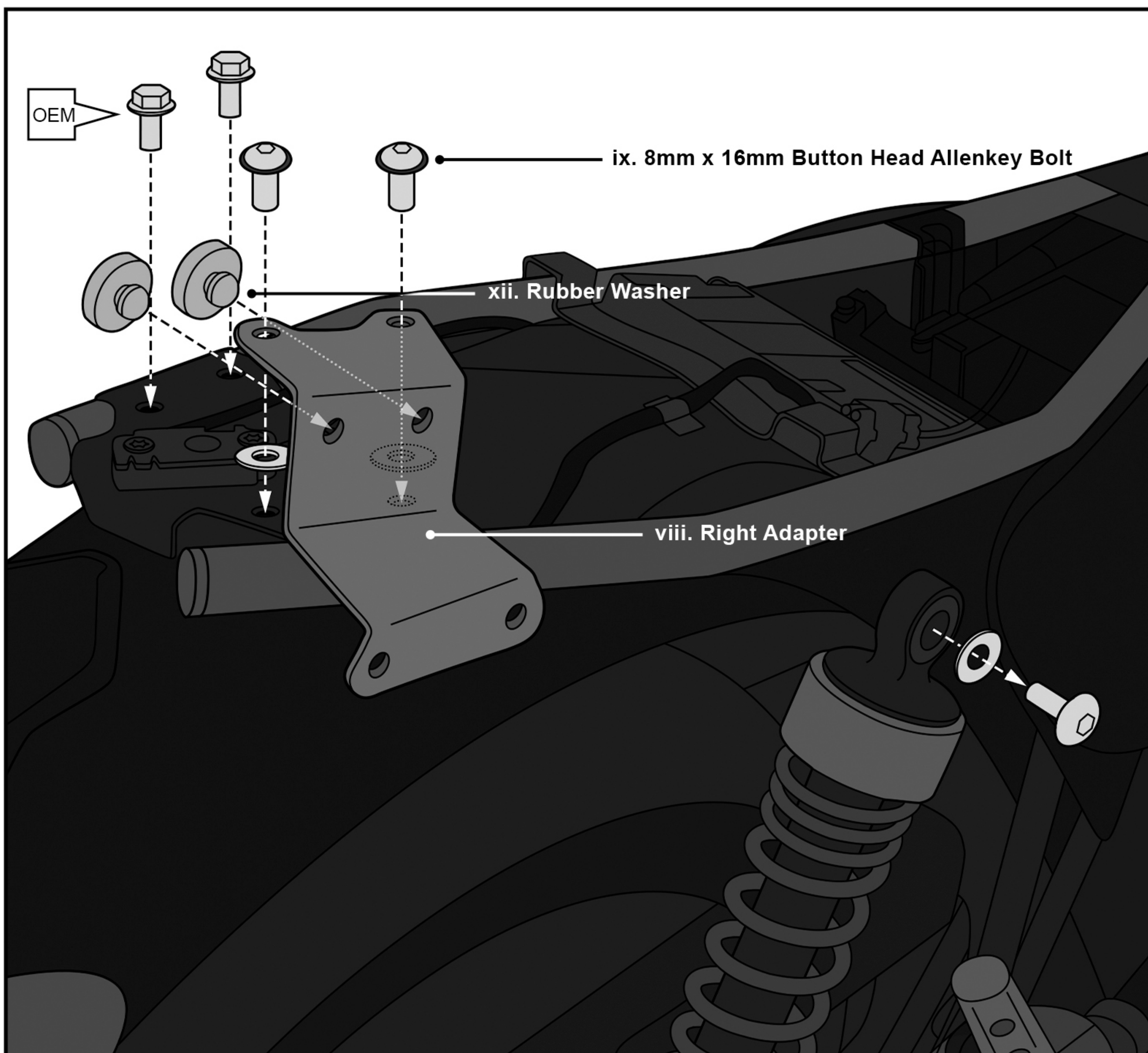


Fig 2. Installing the adapter

Step 4:

Now that you have your adapter on your motorcycle fender. Use the OEM screws and 8mm x 16mm Button Head Allenkey Bolts(IX.) provided in the kit to install the mounting bracket (I)

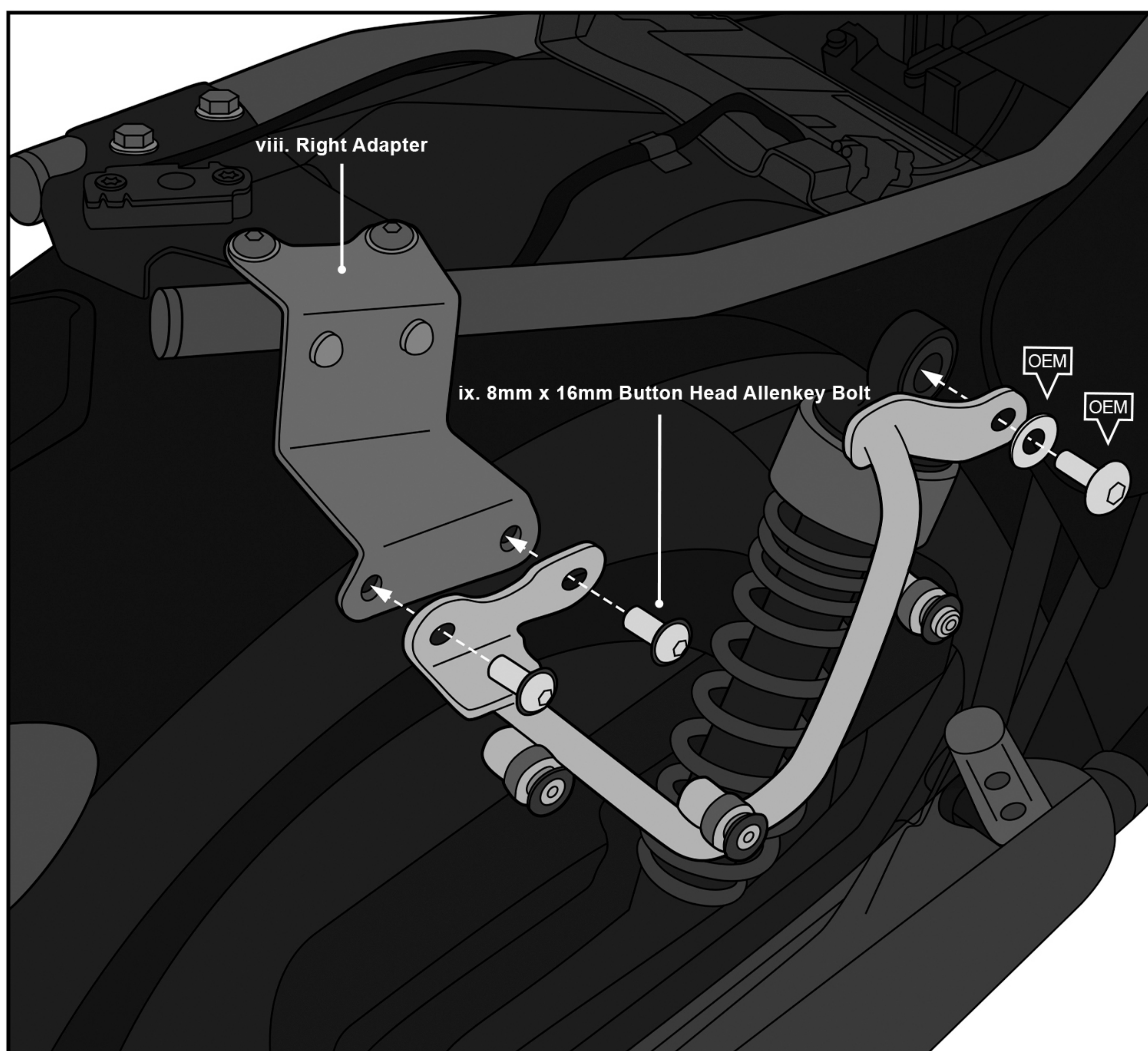


Fig 3. Installing the bracket

Step 5:

Use the pre-installed adapter plate in the back of the Viking Detachable Solo Bag to mount it on the bracket as shown in Fig 4. Press the Solo Bag onto the mounting pegs until it properly rests on the mounting bracket.

To release the bag, press the lever or pull the quick-release cord.

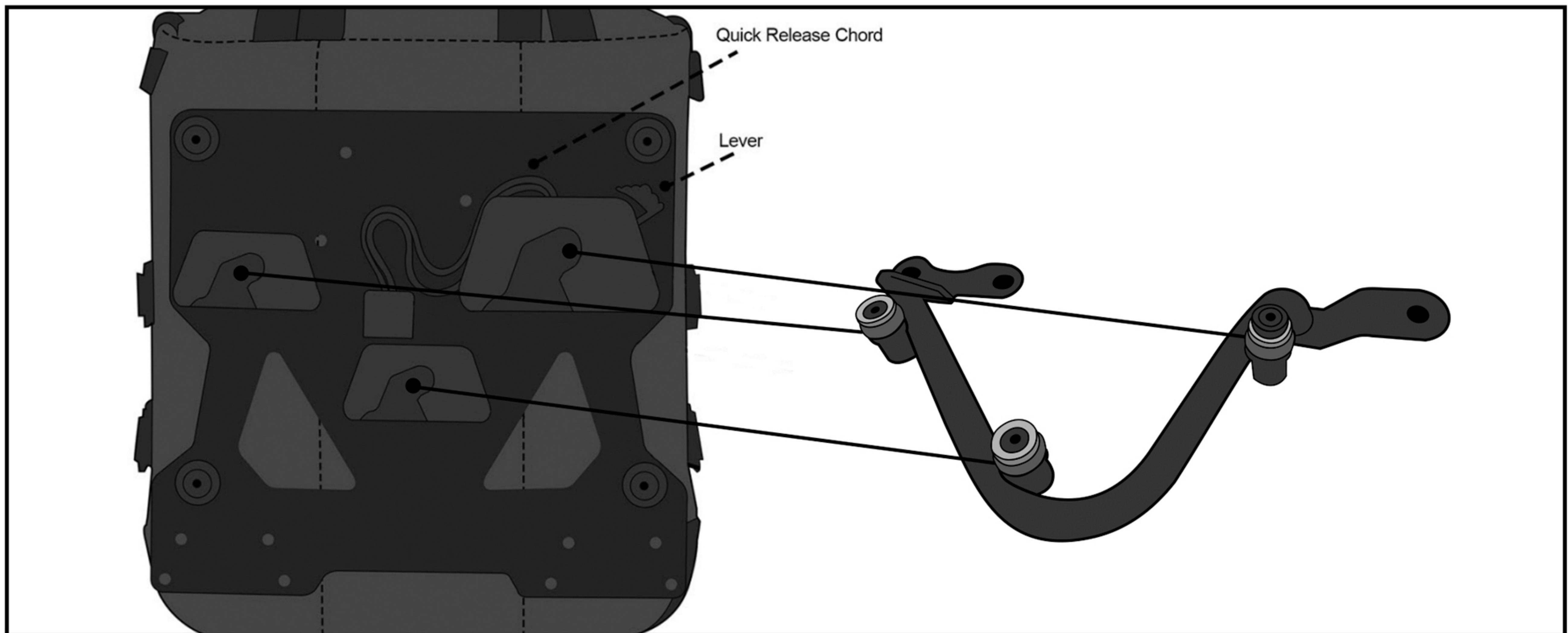
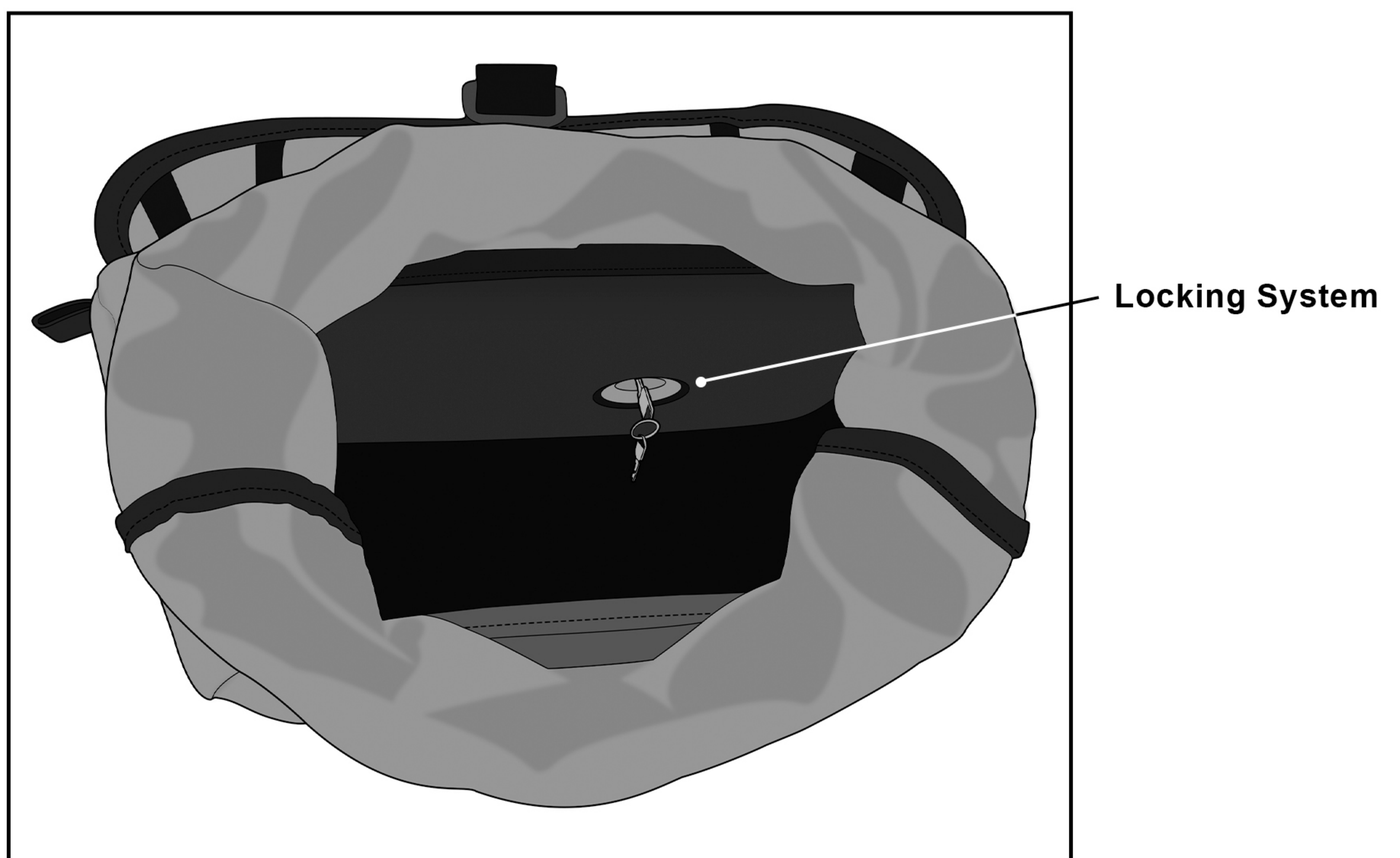


Fig 4. Attaching the bag to the bracket

Tip:

The Quick Detach Mounting System of the bag is lockable. Use the provided set of keys to secure the quick detach mounting system of the bag



locking system located below the waterproof liner

Congratulations, your Viking Incognito Solo Bag is installed and you are ready to ride!

Warnings!

- Do not install if any of the mounting straps are damaged or impaired.
- If you have any questions or concerns about the installation, call Viking Bags or consult your local mechanic
- Ensure no part of the bag constructs any of the moving parts of the bike
- Viking Bags is not liable for any damage or malfunctions caused to your motorcycle during the installation process
- Improper loading can cause vehicle handling problems leading to death or severe injury.