

# Viking Apex Aluminium Side Case Installation Guide For BMW GS 1250/1200 :



## Parts:

i	Footpeg Mounting Tab	x2
ii	8mm x 35mm Socket Head Bolt	x4
iii	Fender Mounting Tab	x4
iv	8mm Washers	x4
v	Crossmember	x1
vi	6mm x 20mm Hex Head Bolt	x3
vii	6mm Nut	x3
viii	6mm Washer	x3
ix	10mm Spring Washer	x8
x	10mm x 20mm Hex Head Bolt	x8
xi	Side Cases	x2
xii	Mounting Brackets	x2

## Tools Needed:

- i Hex Driver Set
- ii Thread Locktite
- iii Wrench

## Tip:

- i Apply Loctite to ensure proper installation of bolts.
- ii Read the installation instructions carefully and make sure that all parts under the parts list are included.

## Parts Diagram:

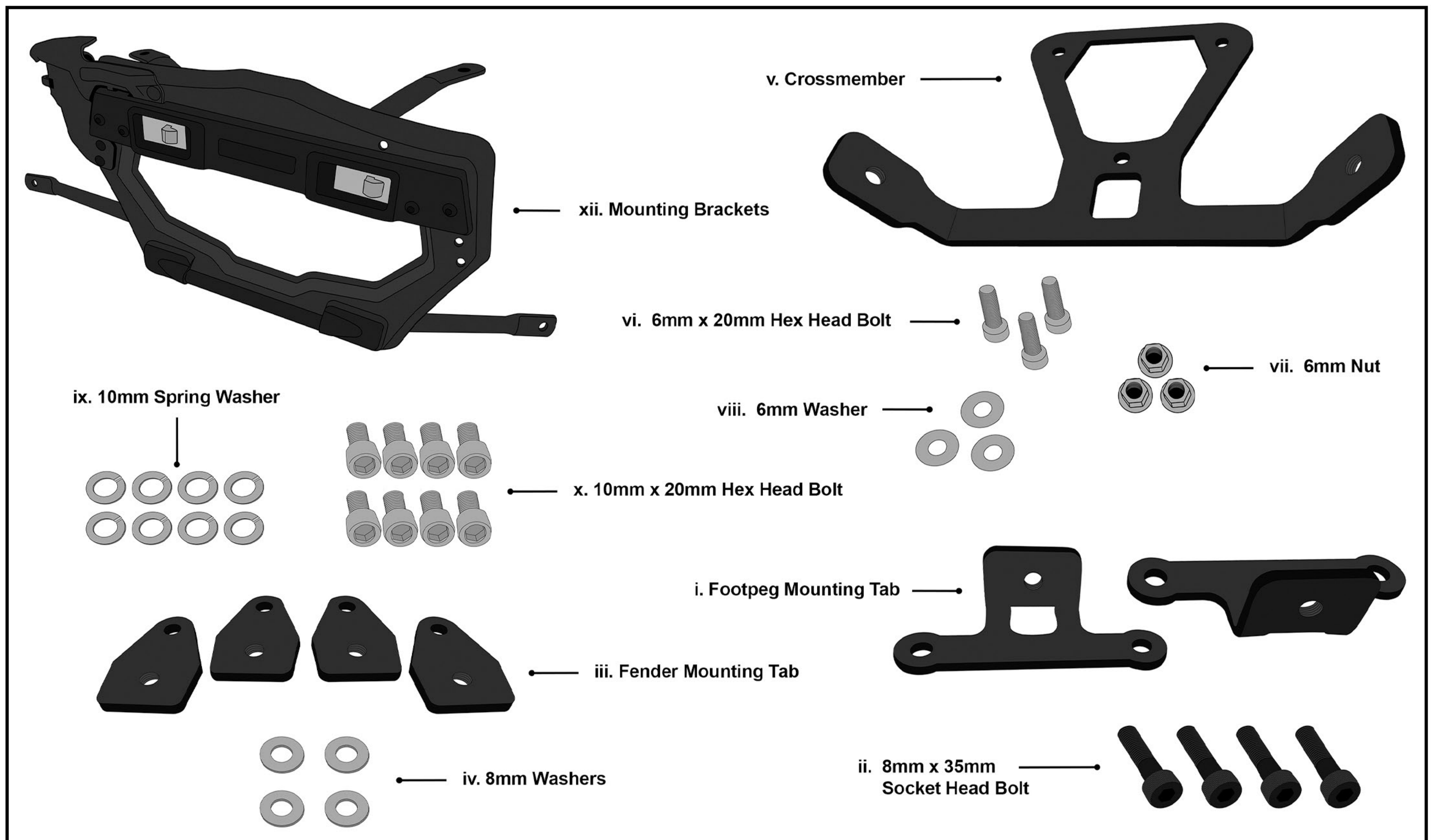


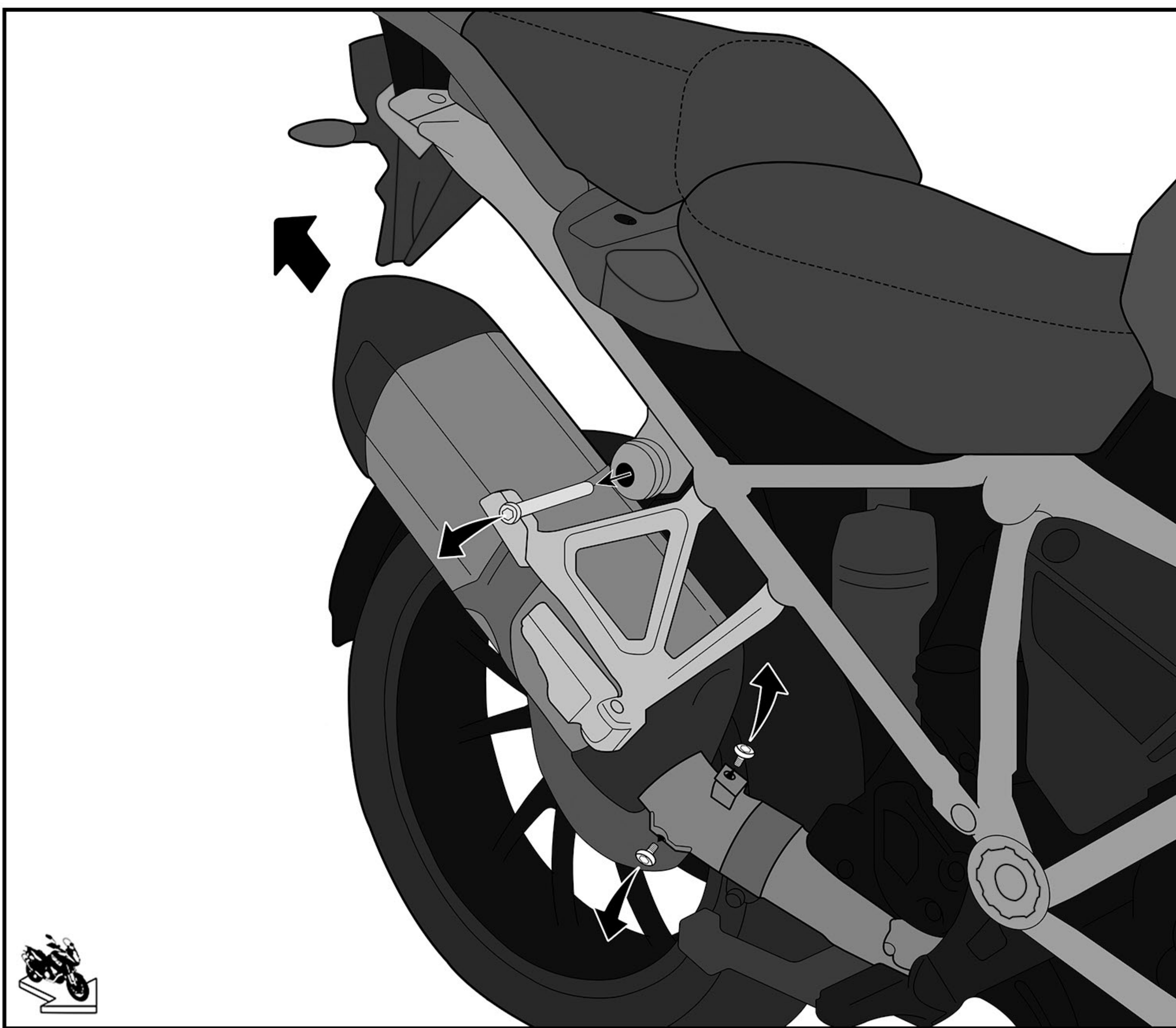
Fig 1. Parts List

## Instructions:

### Step 1:

Unscrew the OEM screws of the exhaust cover. Then unscrew the OEM exhaust screw. Remove the exhaust carefully.

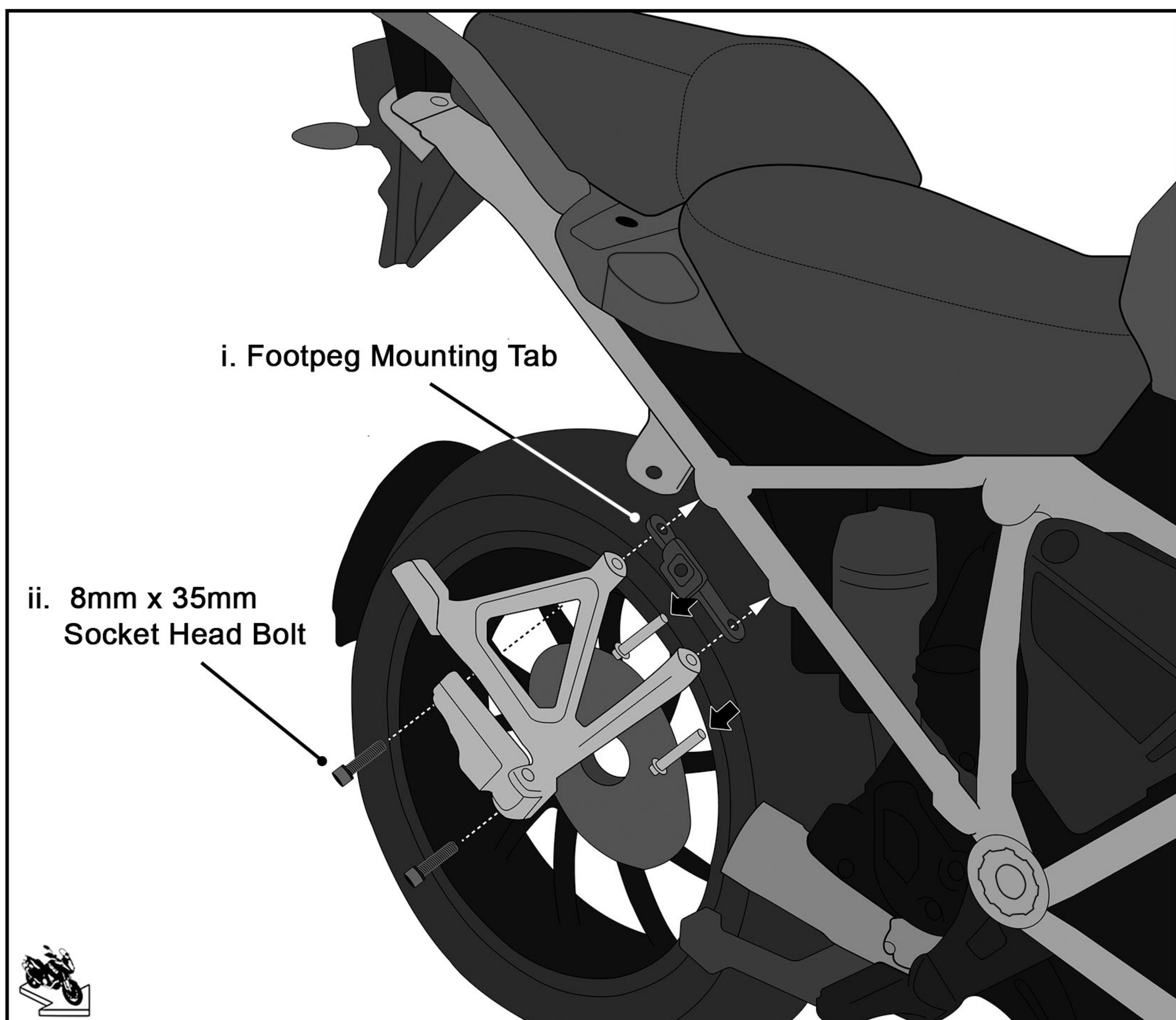




**Fig 2. Removing the exhaust to install the footpeg mounting tab**

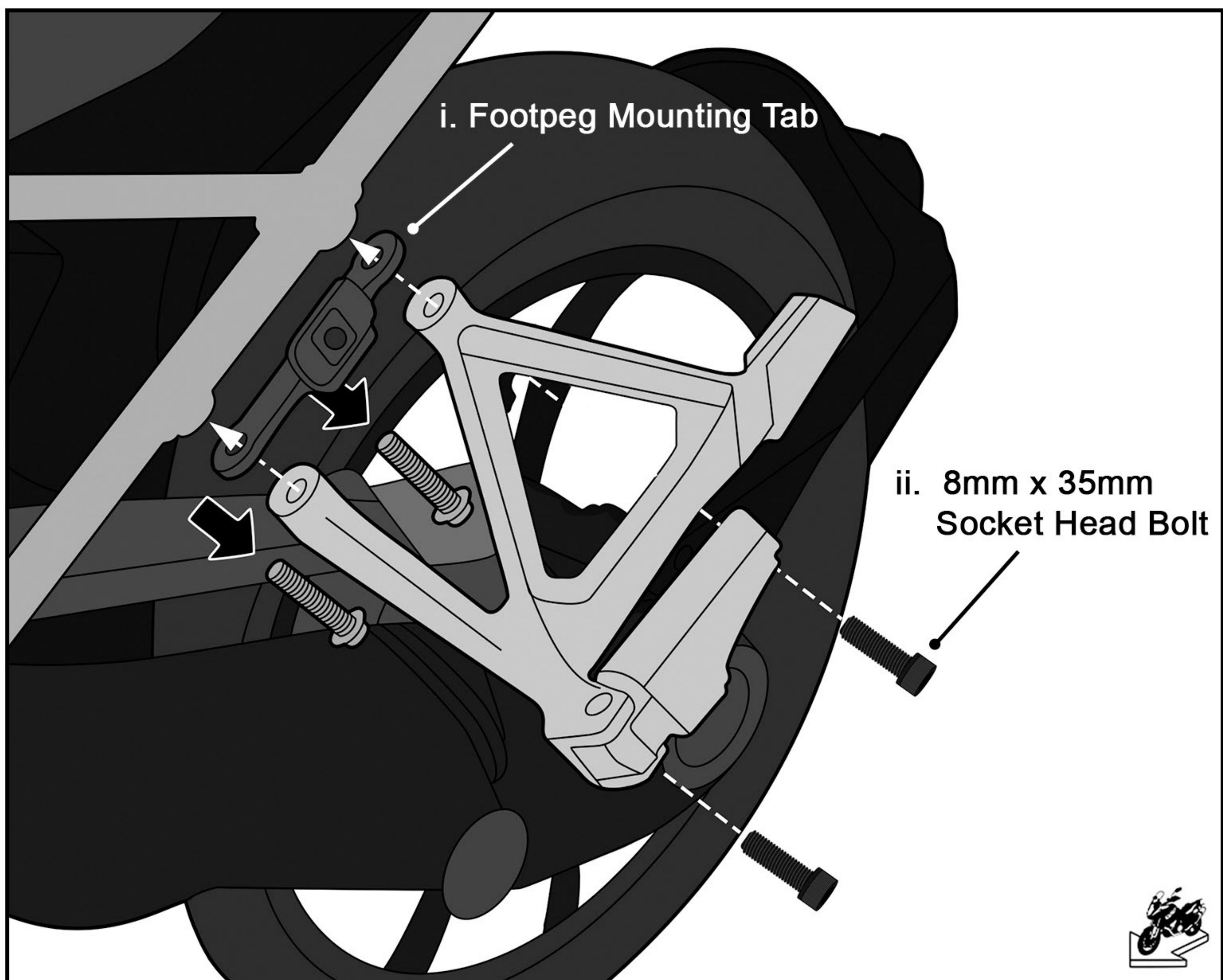
## **Step 2:**

Unscrew the OEM screws of the passenger footpegs from both sides of the bike. Then install the footpeg mounting tabs (I) using the provided 8mm x 35mm Socket Head Bolts (II). See Fig 3 and Fig 4.



**Fig 3. Installing the right footpeg mounting tab**

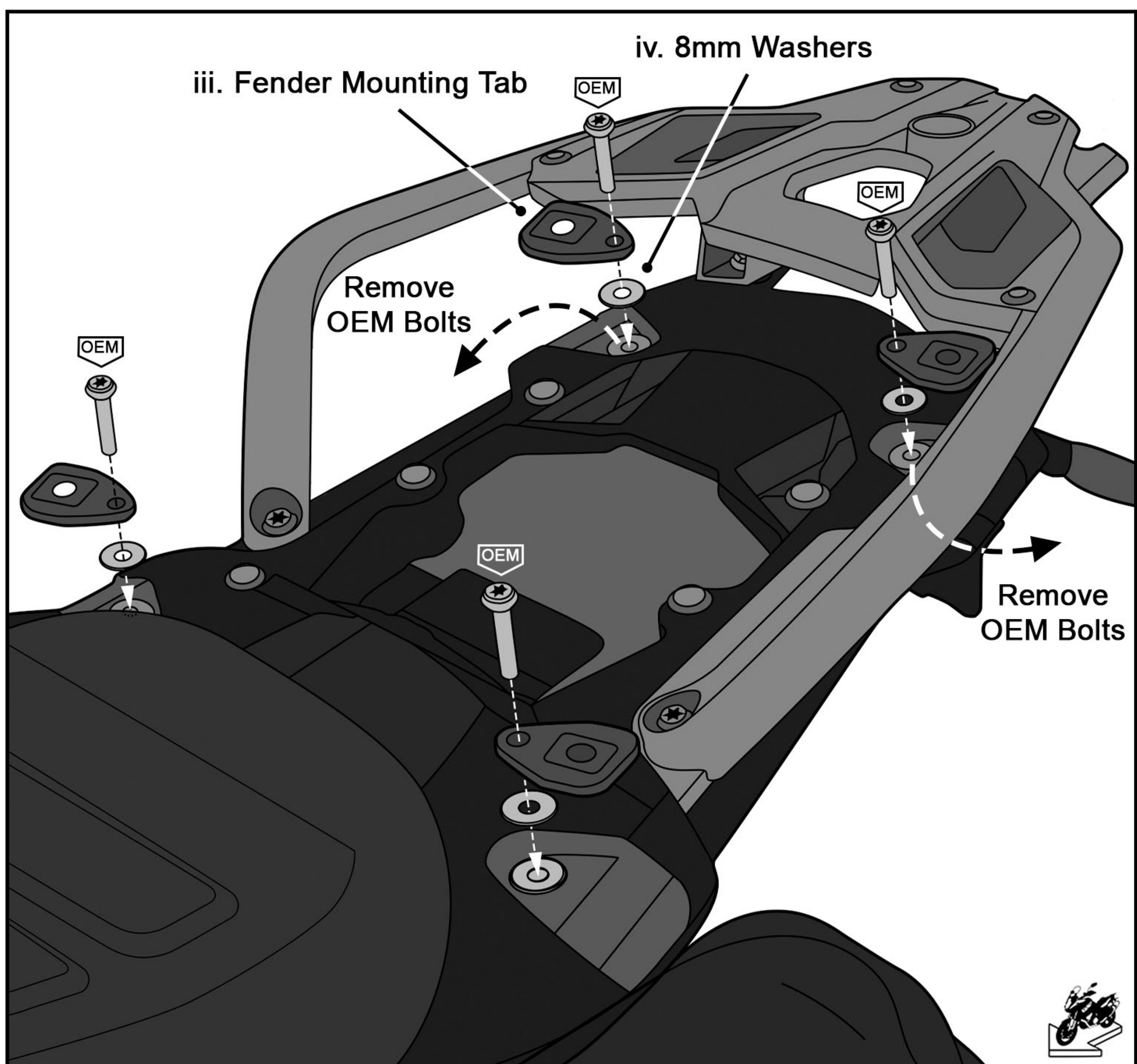




**Fig 4. Installing the left footpeg mounting tab**

**Step 3:**

Remove your motorcycle seat. Remove the two OEM bolts as shown in Fig 5 (Marked with dotted arrow). Then install the four rear mounting tabs(III) See Fig 5.

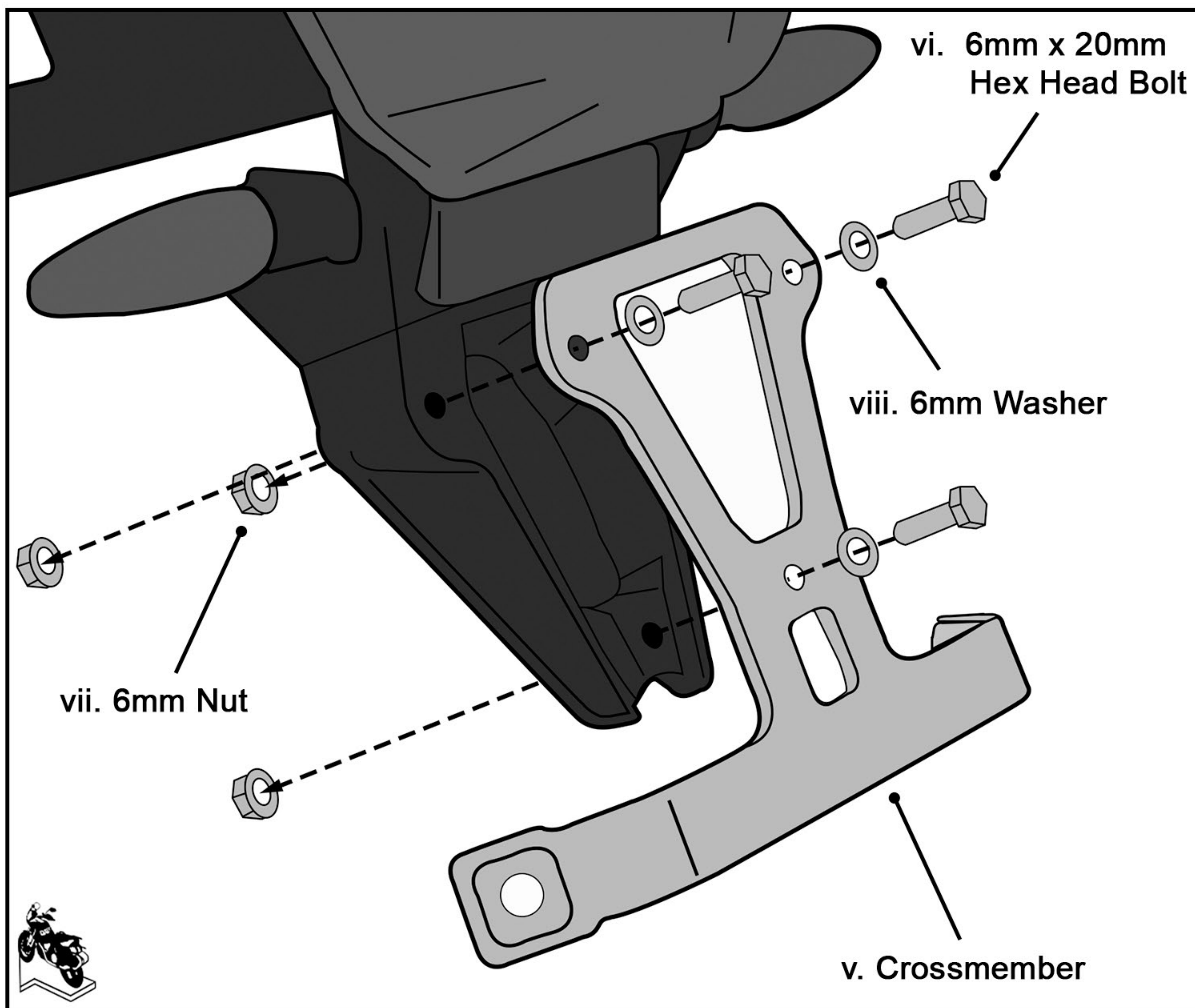


**Fig 5. Attaching the Fener Mounting Tabs**

**Step 4:**

Use the provided crossmember(V) and attach it to the motorcycle license plate mount. See Fig 6.

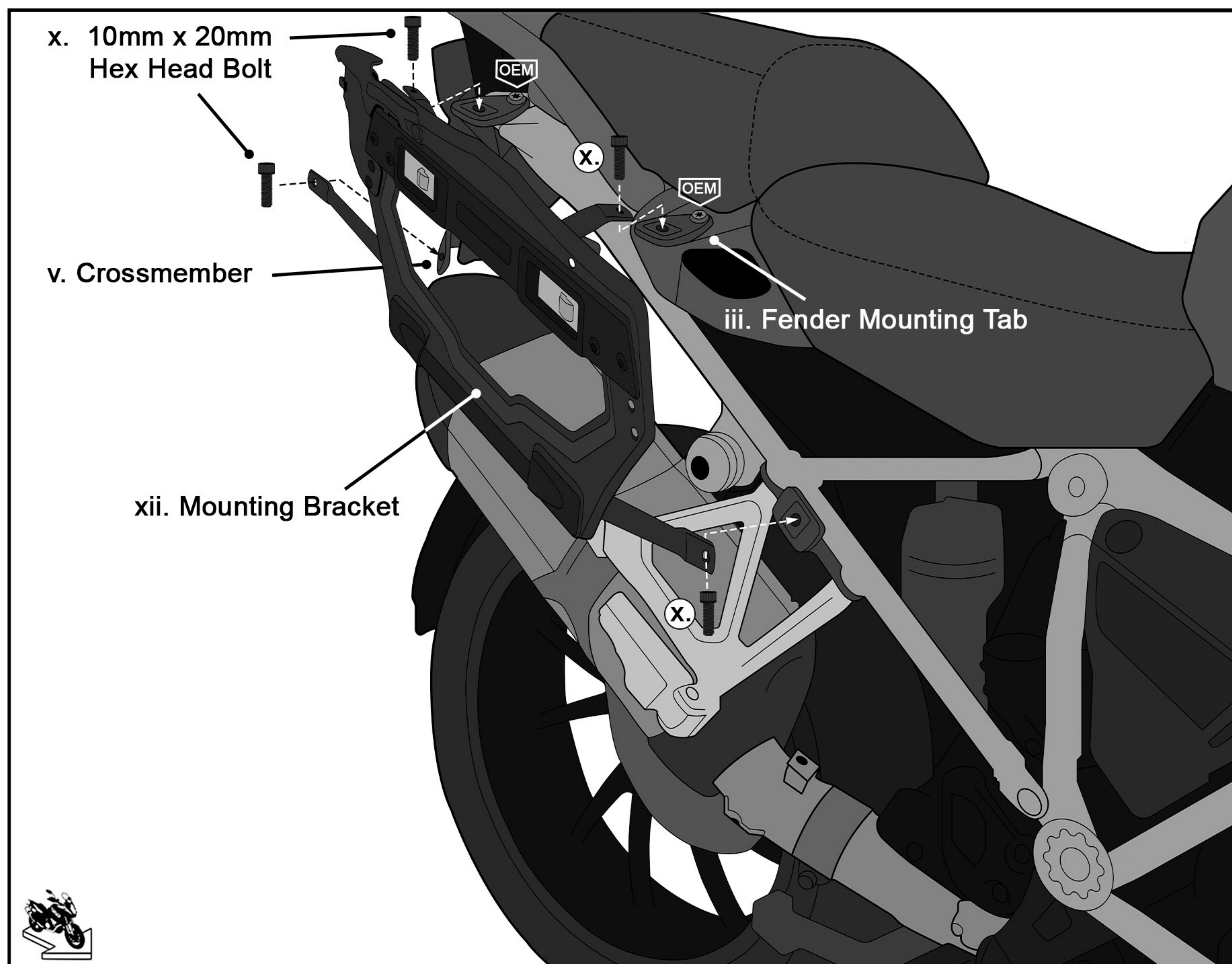




**Fig 6. Attaching the crossmember license plate**

**Step 5:**

Attach the mounting brackets(XII) to the footpeg mounting tab(I), fender mounting tab(III) and crossmember(V) using 10mm x 20mm Hex Head Bolt(X).



**Fig 7. Attaching the brackets to the bike**



## **Step 6:**

Once all the hardware is in place without excess tension, tighten all the provided bolts and the OEM bolts.

Finally, attach the side cases to the mounting bracket. Pull the lever on the bracket and align the back of the side case to the hooks. Once in place push the lever down to lock the case to the bracket. Repeat the same for the other side.

**Congratulations! You have successfully installed the Viking Apex Aluminium Side Cases and now you are ready to ride.**

### **Warnings!**

- Do not install if any of the mounting hardware is damaged or impaired.
- If you have any questions or concerns about the installation, call Viking Bags or consult your local mechanic
- Ensure no part of the bag constructs any of the moving parts of the bike
- Viking Bags is not liable for any damage or malfunctions caused to your motorcycle during the installation process
- Improper loading can cause vehicle handling problems leading to death or severe injury.
- Periodically check the bolts on your bike for tightness.