

# Viking Incognito Solo Saddlebag Installation for Ducati Scrambler (14-17):



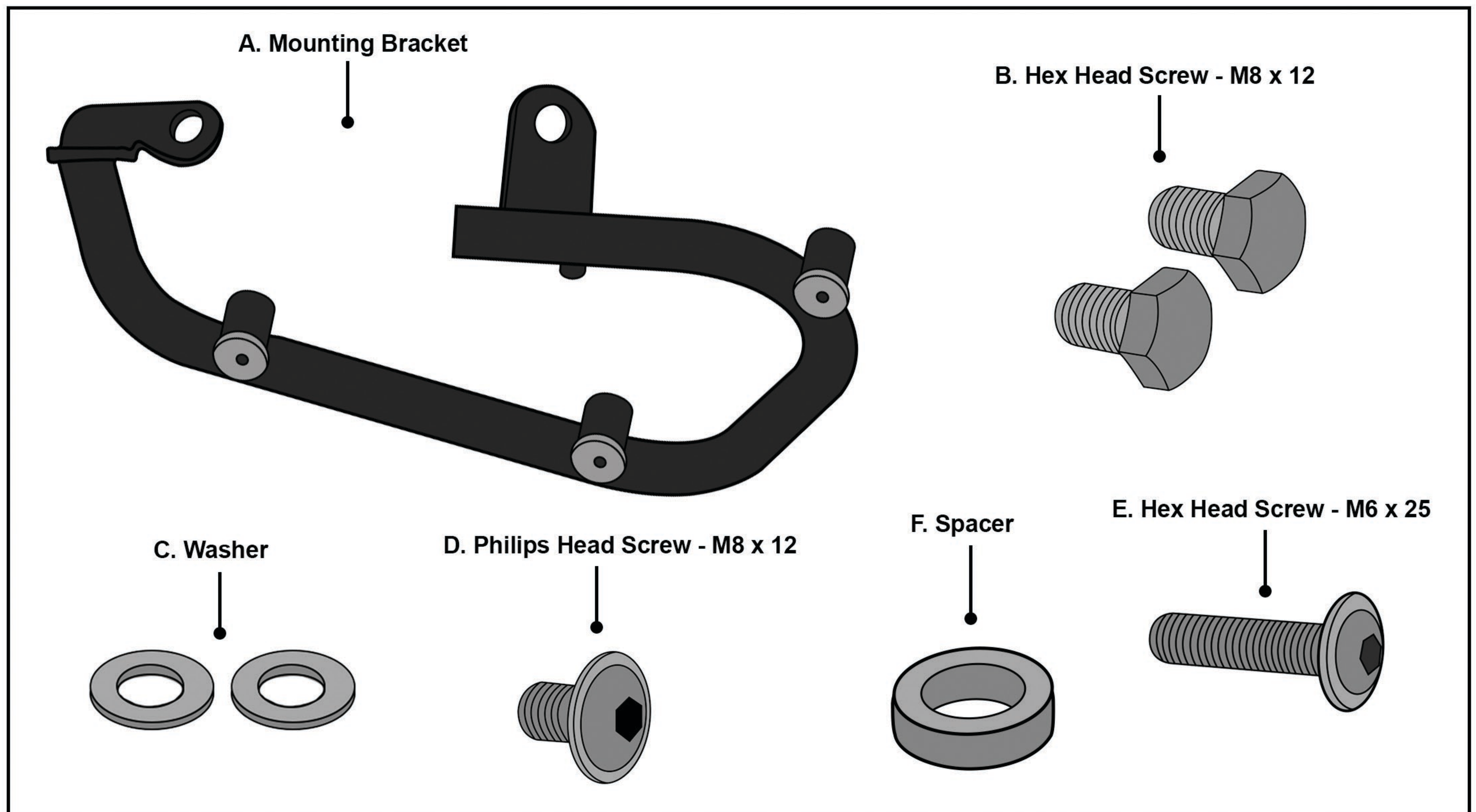
## Parts List:

A	Mounting Bracket	x1
B	Hex Head Screw - M8 x 12	x2
C	Washer	x2
D	Philips Head Screw - M8 x 12	x1
E	Hex Head Screw - M6 x 25	x1
F	Spacer	x1

## Note:

- Tighten screws with the manufacturer's specified torque.
- Make sure to use Loctite for the final step.

## Parts Diagram:



Parts Diagram

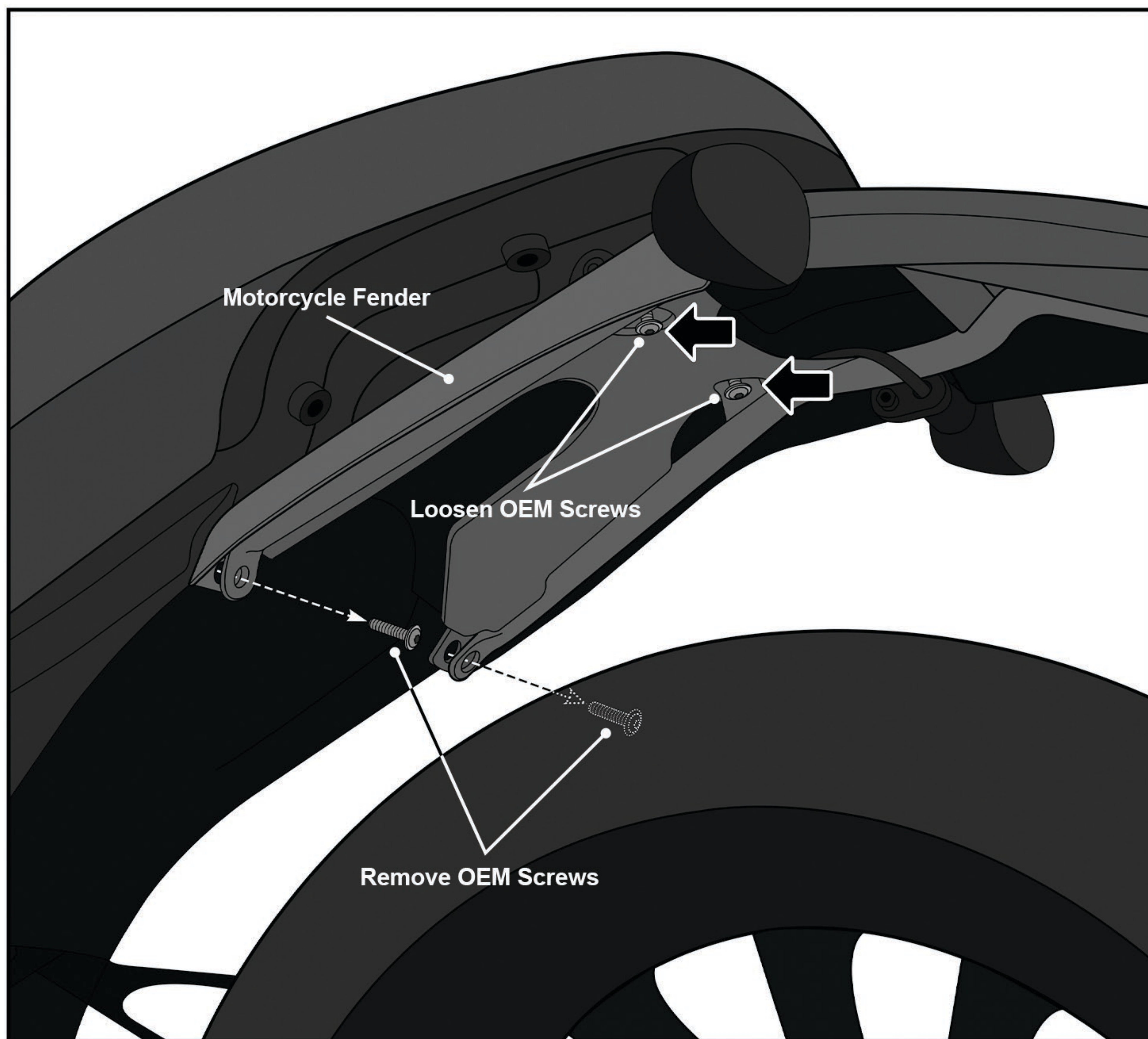
## Installation Instructions:

### Step 1:

**Note:** Do this step only if your motorcycle has a fender.

Loosen the motorcycle fender screws, do not fully take the fender off. Just loosen enough to insert the Mounting Bracket (A). Refer to Fig 1.

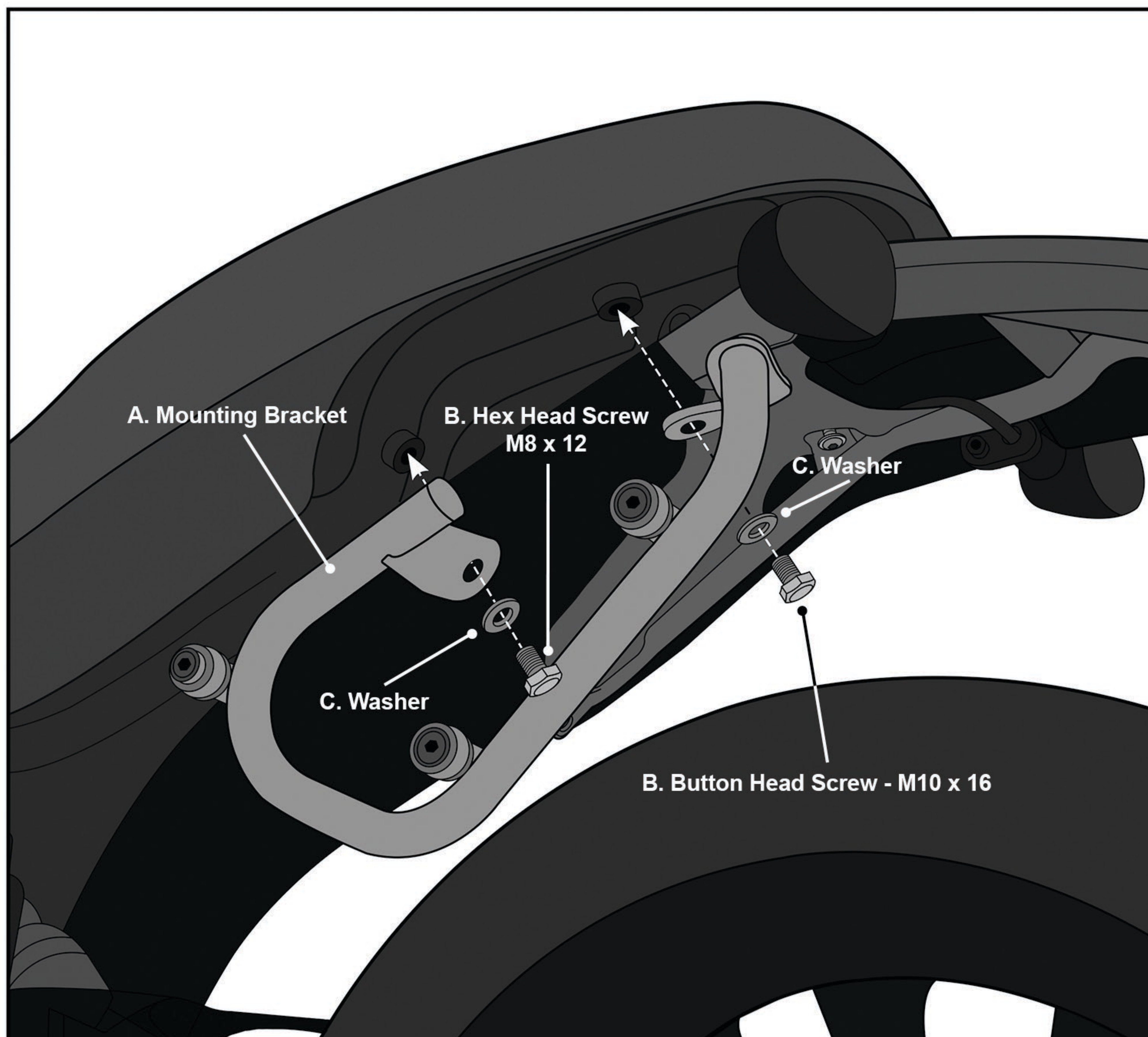




**Fig 1. Loosening the motorcycle fender.**

**Step 2:**

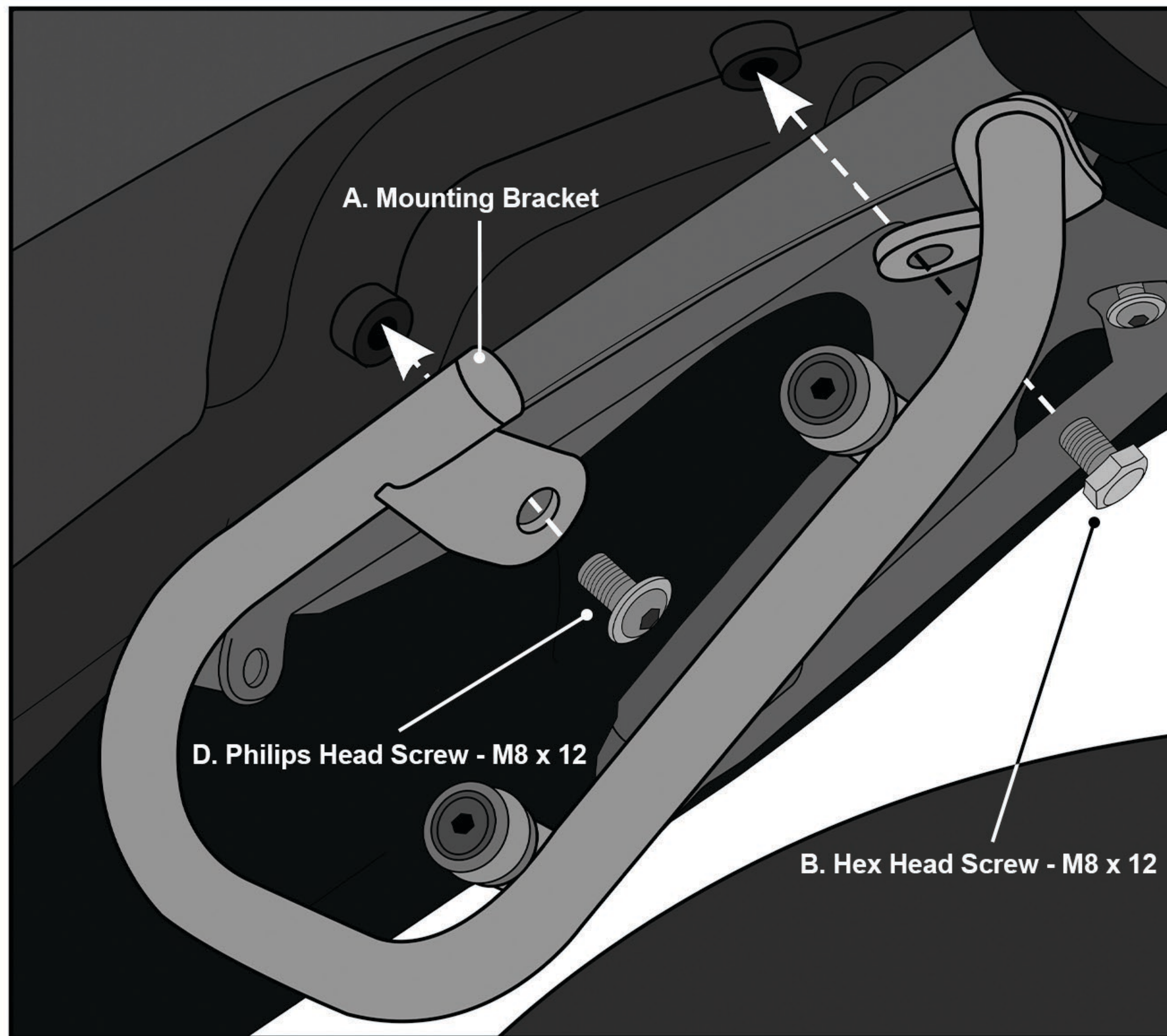
Attach the mounting bracket using the provided hardware. Refer to Fig 2A or Fig 2B (Ducati Scrambler Icon/Sixty2/Urban Enduro Only).



**Fig 2A. Attaching the Mounting Bracket**



**Note:** Use Philips Head Screw - M8 x 12 (D) for proper installation. See Fig 2B.



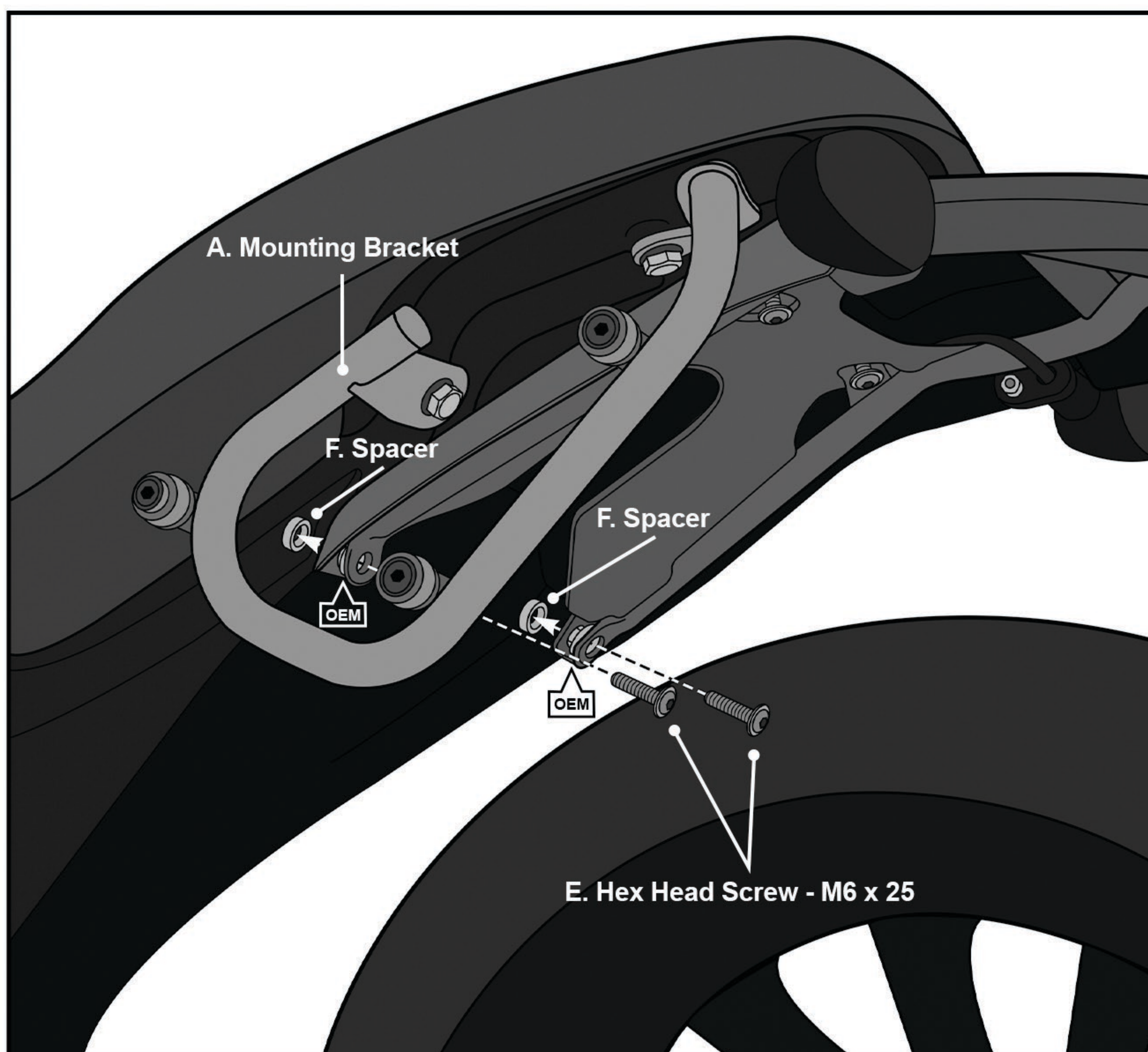
**Fig 2B. Use D. for Ducati Scrambler Icon/Sixty2/Urban Enduro**

### Step 3:

#### Note:

- i. Do this step only if your motorcycle has a fender.
- ii. If you have a Ducati Scrambler **Icon/Sixty2/Urban Enduro**, use OEM screw instead of Hex Head Screw - M6 x 25 (E)

Continue attaching the mounting bracket (A) using the provided hardware. Refer to Fig 3.



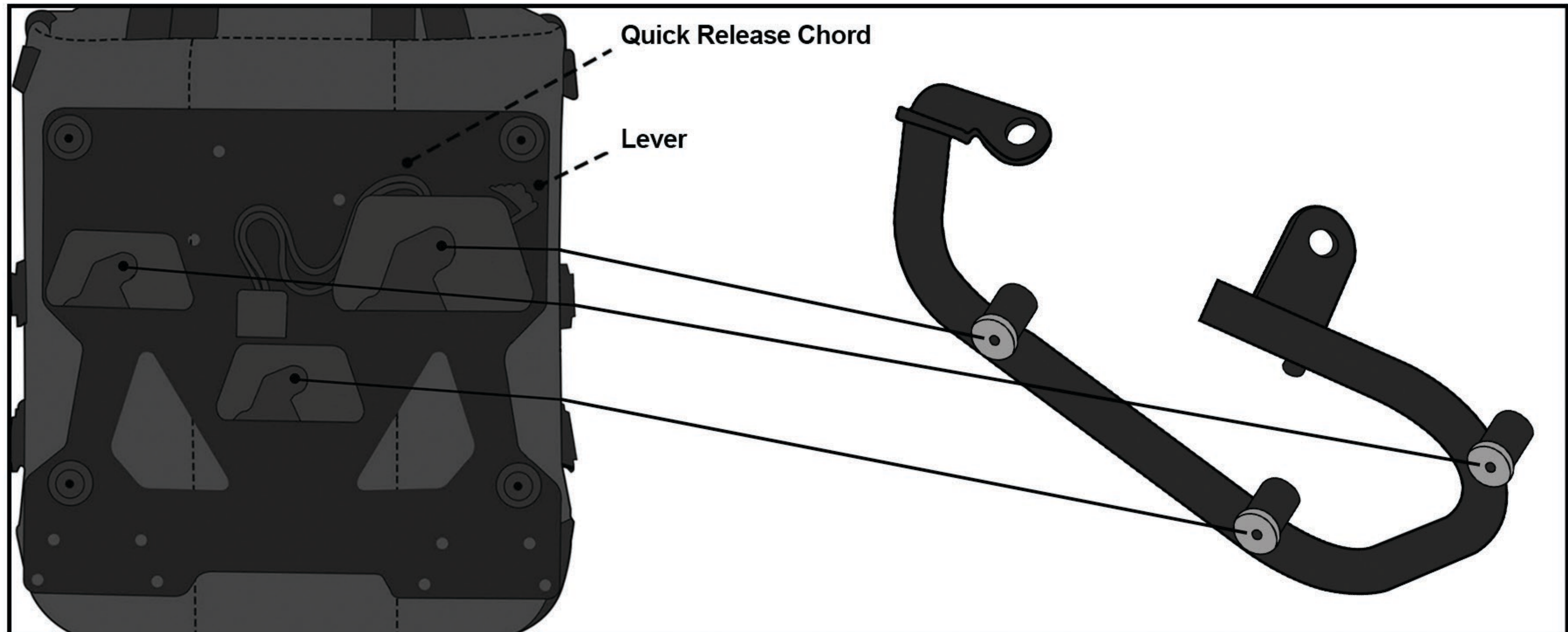
**Fig 3. Adding the bottom screws**



## Step 4:

Use the pre-installed adapter plate in the back of the Viking Detachable Solo Bag to mount it on the bracket as shown in Fig 4. Press the Solo Bag onto the mounting pegs until it properly rests on the mounting bracket.

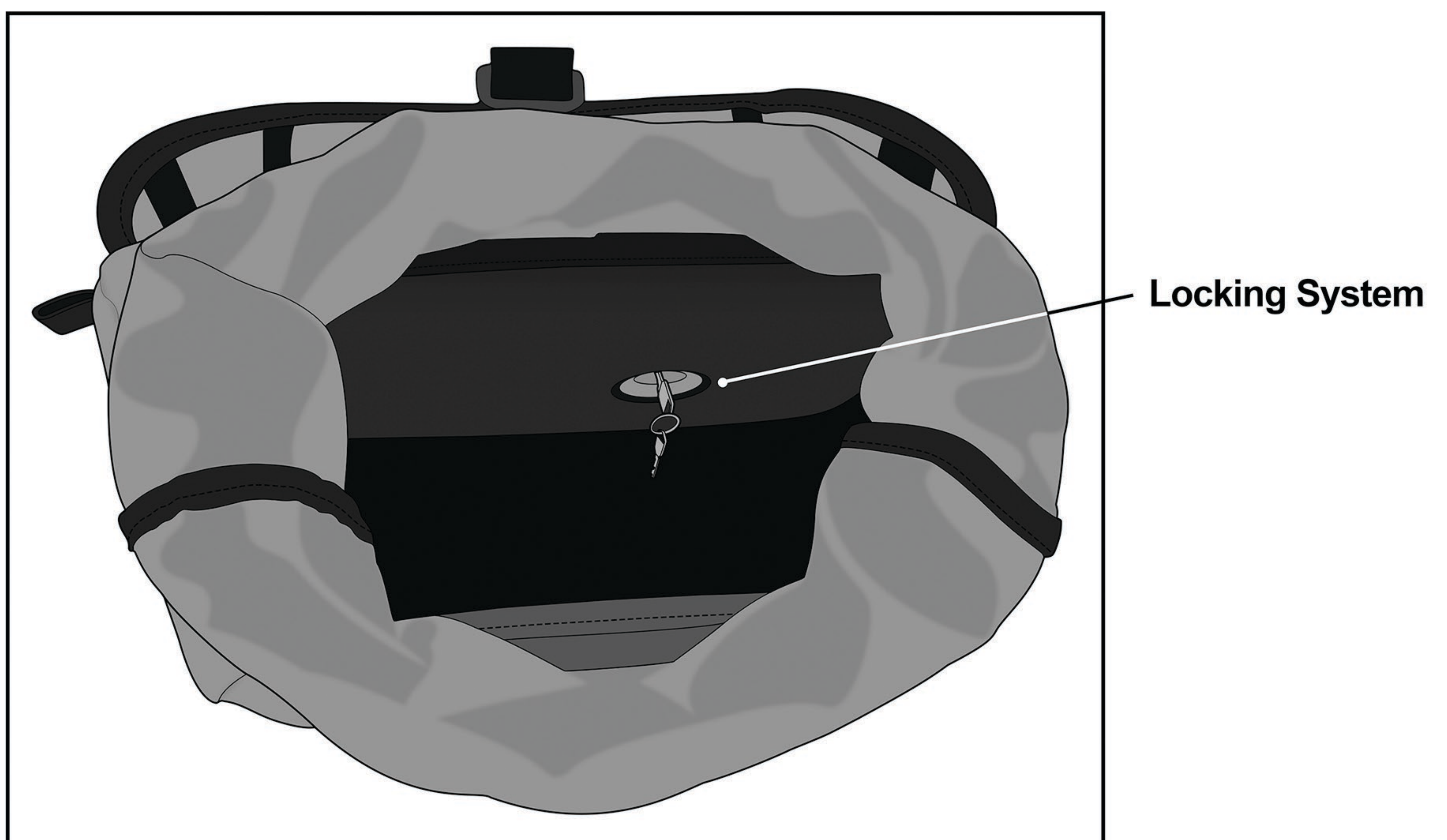
To release the bag, press the lever or pull the quick-release cord.



**Fig 4. Attaching the bag to the bracket**

## Tip:

The quick disconnect system is key lockable. Lock / unlock the quick disconnect system from inside the bag to secure your bag against theft.



**locking system located below the waterproof liner**



# **Congratulations, your Viking Incognito Solo Bag is installed and you are ready to ride!**

## **Warnings!**

- Do not install if any of the mounting straps are damaged or impaired.
- If you have any questions or concerns about the installation, call Viking Bags or consult your local mechanic
- Ensure no part of the bag constructs any of the moving parts of the bike
- Viking Bags is not liable for any damage or malfunctions caused to your motorcycle during the installation process
- Improper loading can cause vehicle handling problems leading to death or severe injury.
- Periodically check the bolts on your bike for tightness.