

# Viking Incognito Solo Saddlebag Installation for Ducati Scrambler 1100:



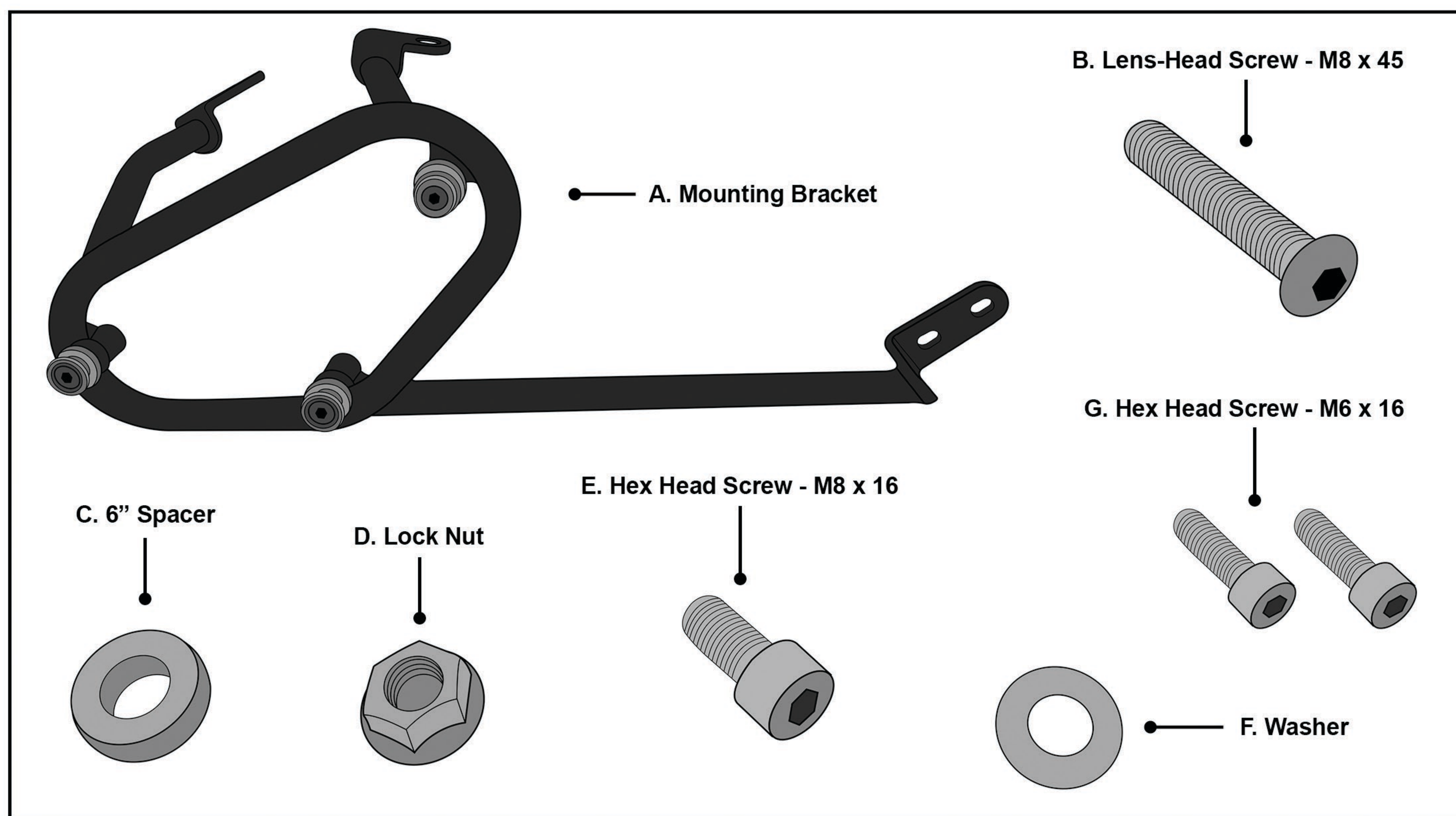
## Parts List:

A	Mounting Bracket	x1
B	Lens-Head Screw - M8 x 45	x1
C	6" Spacer	x1
D	Lock Nut	x1
E	Hex Head Screw - M8 x 16	x1
F	Washer	x1
G	Hex Head Screw - M6 x 16	x2

## Note:

- Tighten screws with the manufacturer's specified torque.
- Make sure to use Loctite for the final step.

## Parts Diagram:

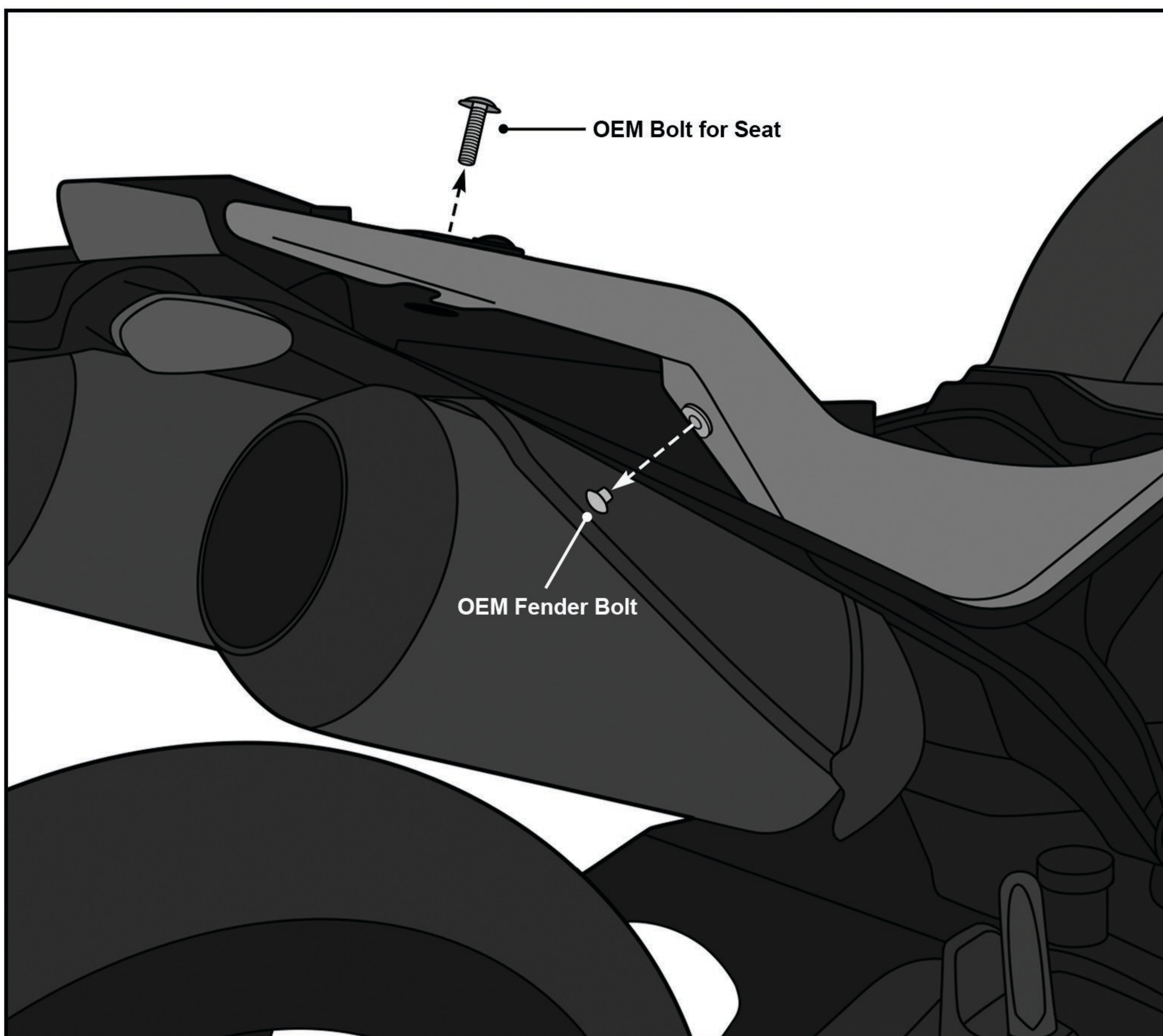


## Installation Instructions:

### Step 1:

Remove the motorcycle seat and OEM fender bolt. Refer to Fig 1.

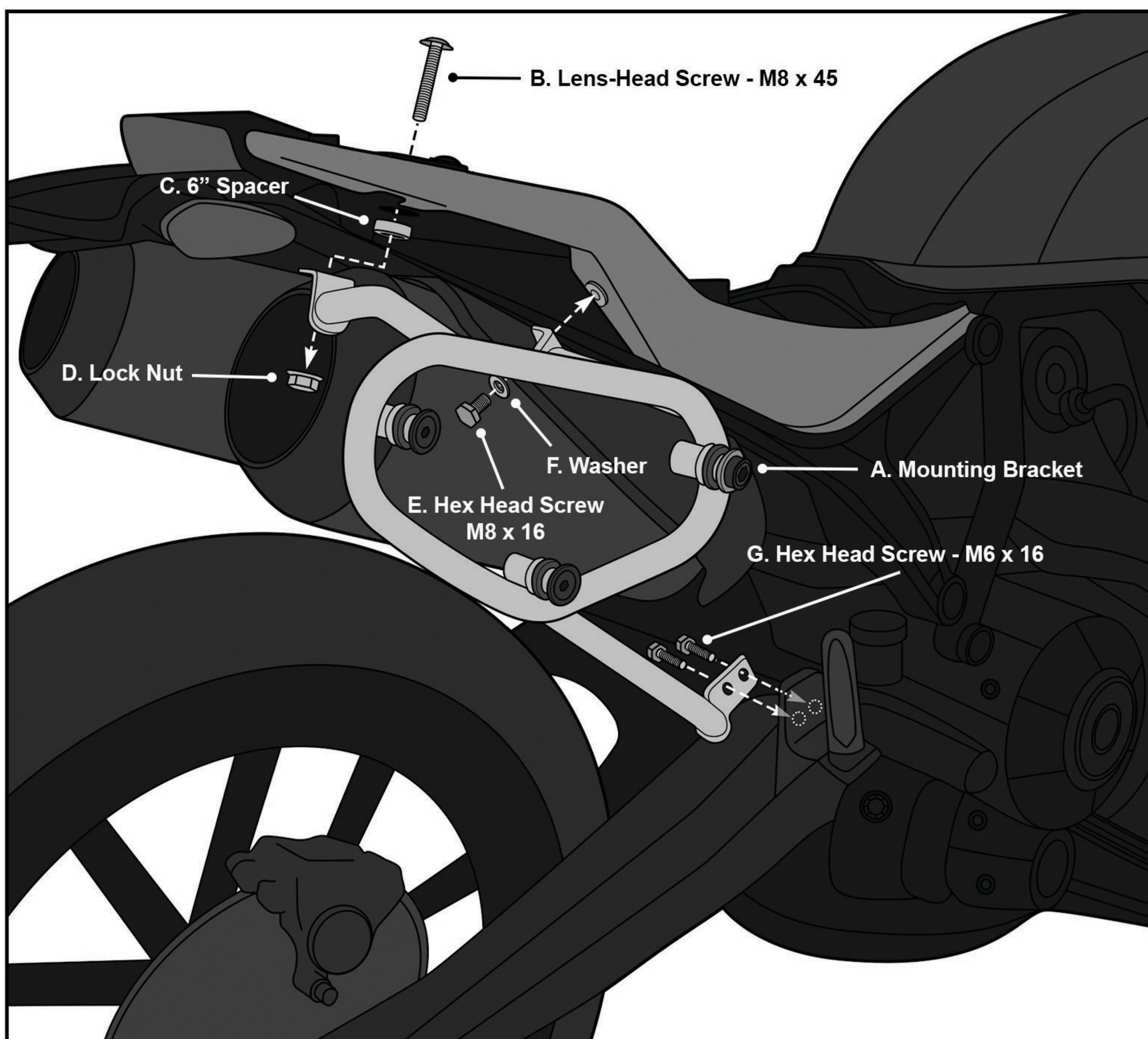




**Fig 1. Remove the motorcycle seat and fender bolt**

**Step 2:**

Attach the mounting bracket using the provided hardware. Refer to Fig 2.



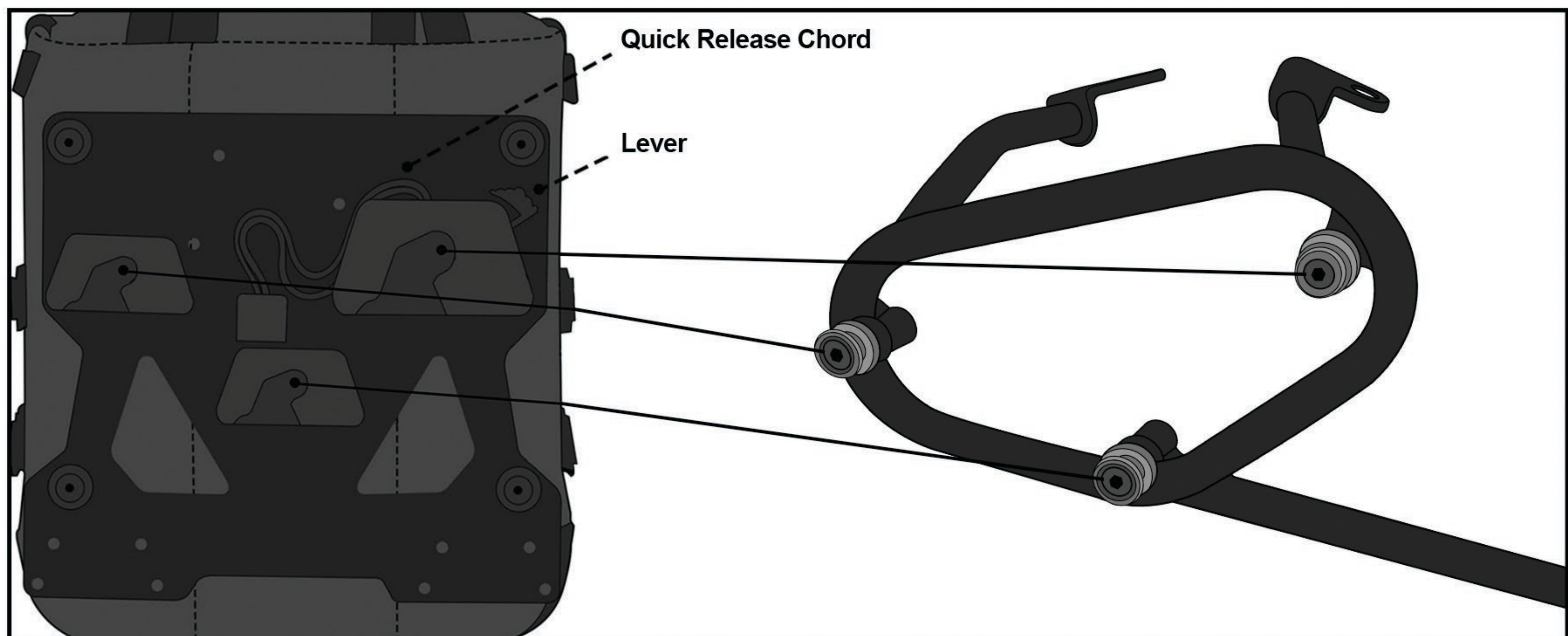
**Fig 2. Attaching the mounting bracket**



### Step 3:

Use the pre-installed adapter plate in the back of the Viking Detachable Solo Bag to mount it on the bracket as shown in Fig 2. Press the Solo Bag onto the mounting pegs until it properly rests on the mounting bracket.

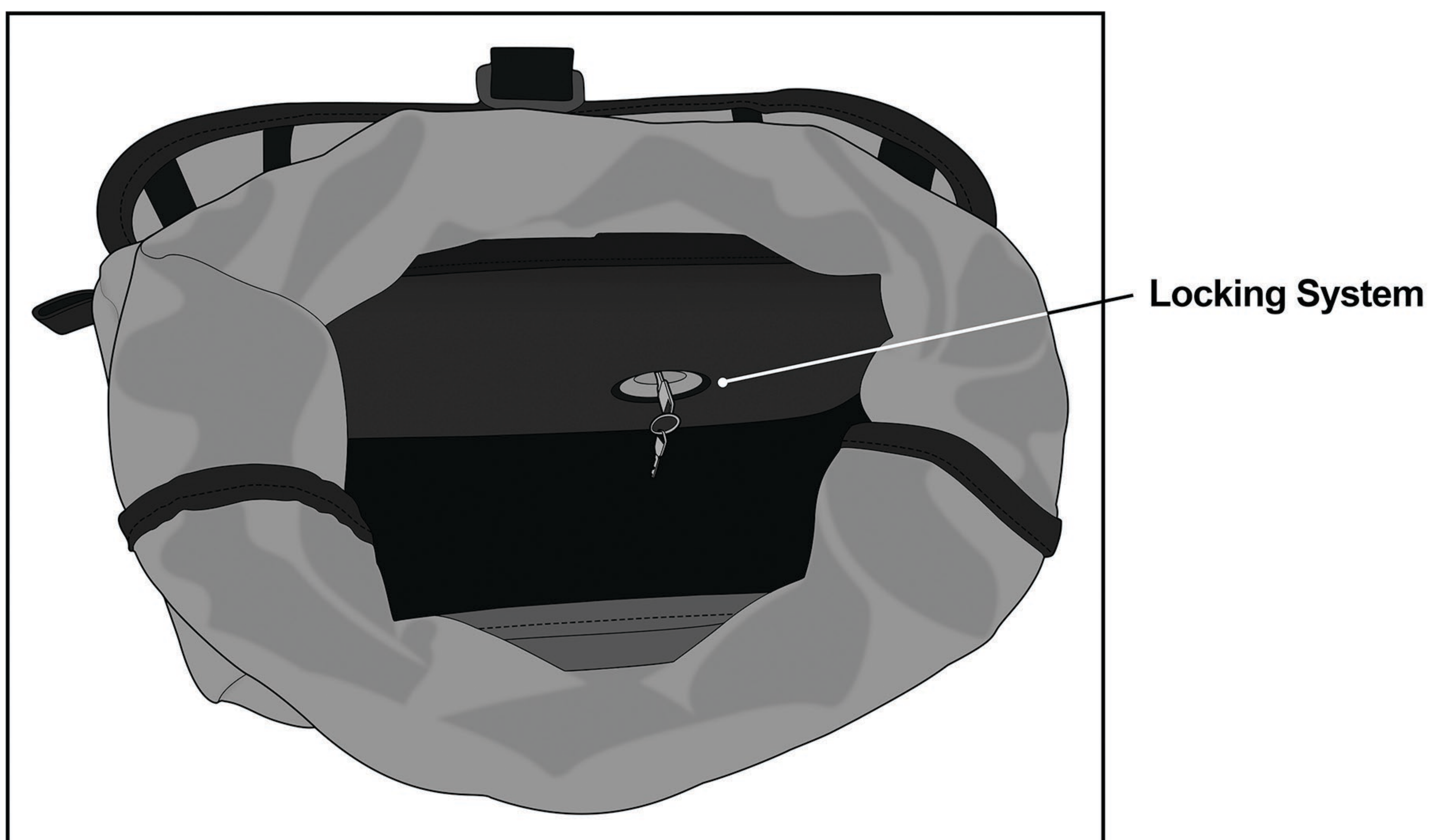
To release the bag, press the lever or pull the quick-release cord.



**Fig 3. Attaching the bag to the bracket**

### Tip:

The quick disconnect system is key lockable. Lock / unlock the quick disconnect system from inside the bag to secure your bag against theft.



**locking system located below the waterproof liner**



# Congratulations, your Viking Incognito Solo Bag is installed and you are ready to ride!

## Warnings!

- Do not install if any of the mounting straps are damaged or impaired.
- If you have any questions or concerns about the installation, call Viking Bags or consult your local mechanic
- Ensure no part of the bag constructs any of the moving parts of the bike
- Viking Bags is not liable for any damage or malfunctions caused to your motorcycle during the installation process
- Improper loading can cause vehicle handling problems leading to death or severe injury.
- Periodically check the bolts on your bike for tightness.