

Viking Apex Aluminium Side Case Installation Guide For Honda CRF1100L / Adventure Sports:



Parts:

i	Fender Mounting Tabs	x4
ii	8mm x 35mm Allenkey Bolt	x4
iii	8.4mm Washers	x4
iv	8.6mm Spacer	x4
v	Left Footpeg Mounting Tab	x1
vi	8mm x 30mm Allenkey Bolt	x2
vii	8.4mm Washer	x2
viii	Right Footpeg Mounting Tab	x1
ix	6mm x 20mm Allenkey Bolt	x2
x	6.4mm Washer	x2
xi	Mounting Brackets	x2
xii	9.5mm Allenkey Head Bolt	x8
xiii	Crossmember	x1
xiv	6mm x 20mm Allenkey Bolt	x3
xv	6.4mm Washers	x6
xvi	6.4mm Washer	x1
xvii	Collar Nut	x3

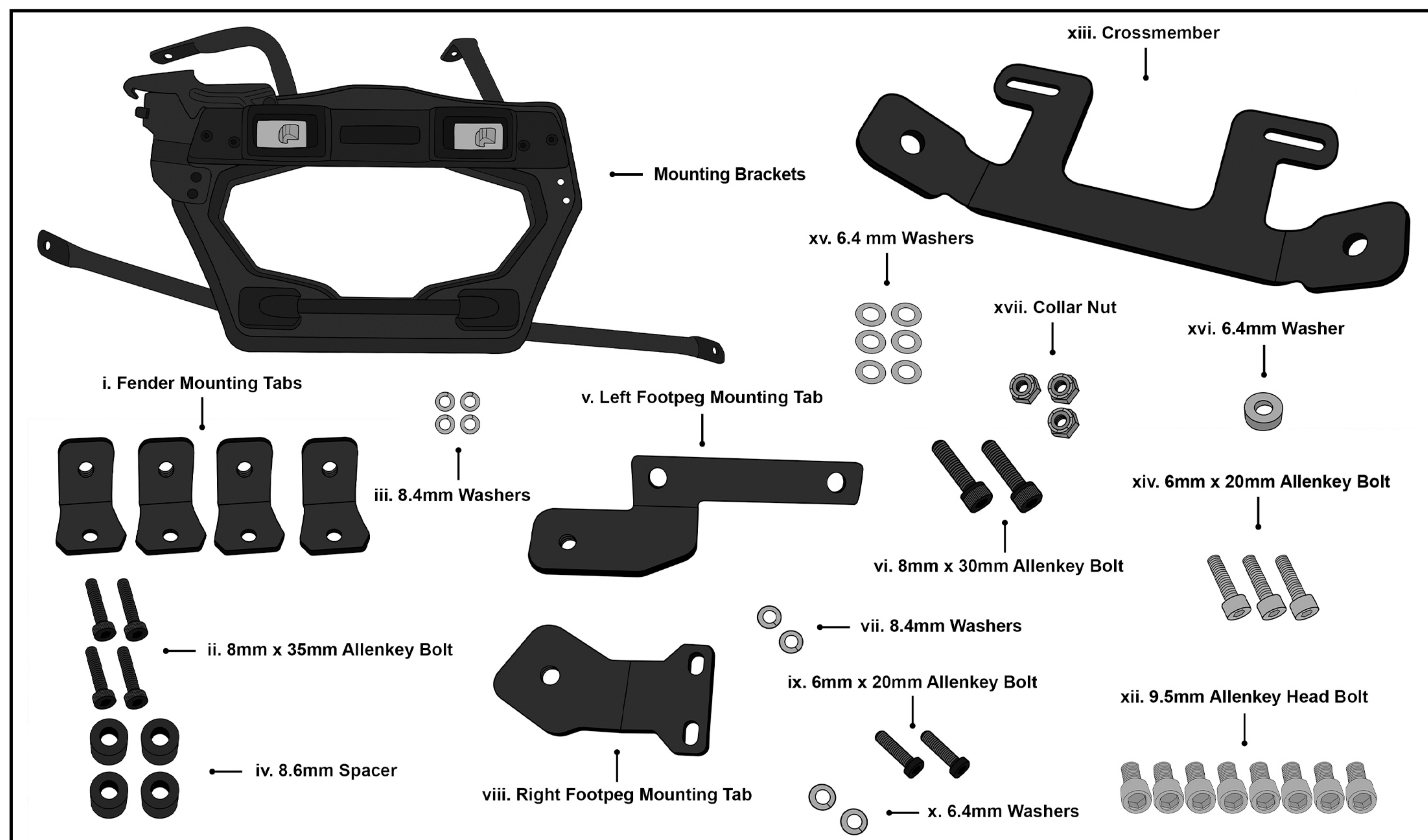
Tools Needed:

- i Hex Driver Set
- ii Thread Locktite
- iii Wrench

Tip:

- i Apply Loctite to ensure proper installation of bolts.
- ii Read the installation instructions carefully and make sure that all parts under the parts list are included.

Parts Diagram:



Instructions:

Step 1:

Remove OEM bolts from both sides of the motorcycle tail fender.

Step 2:

Install fender mounting tabs (I) on the motorcycle tail fender. Do not fully tighten yet. See Fig 2.

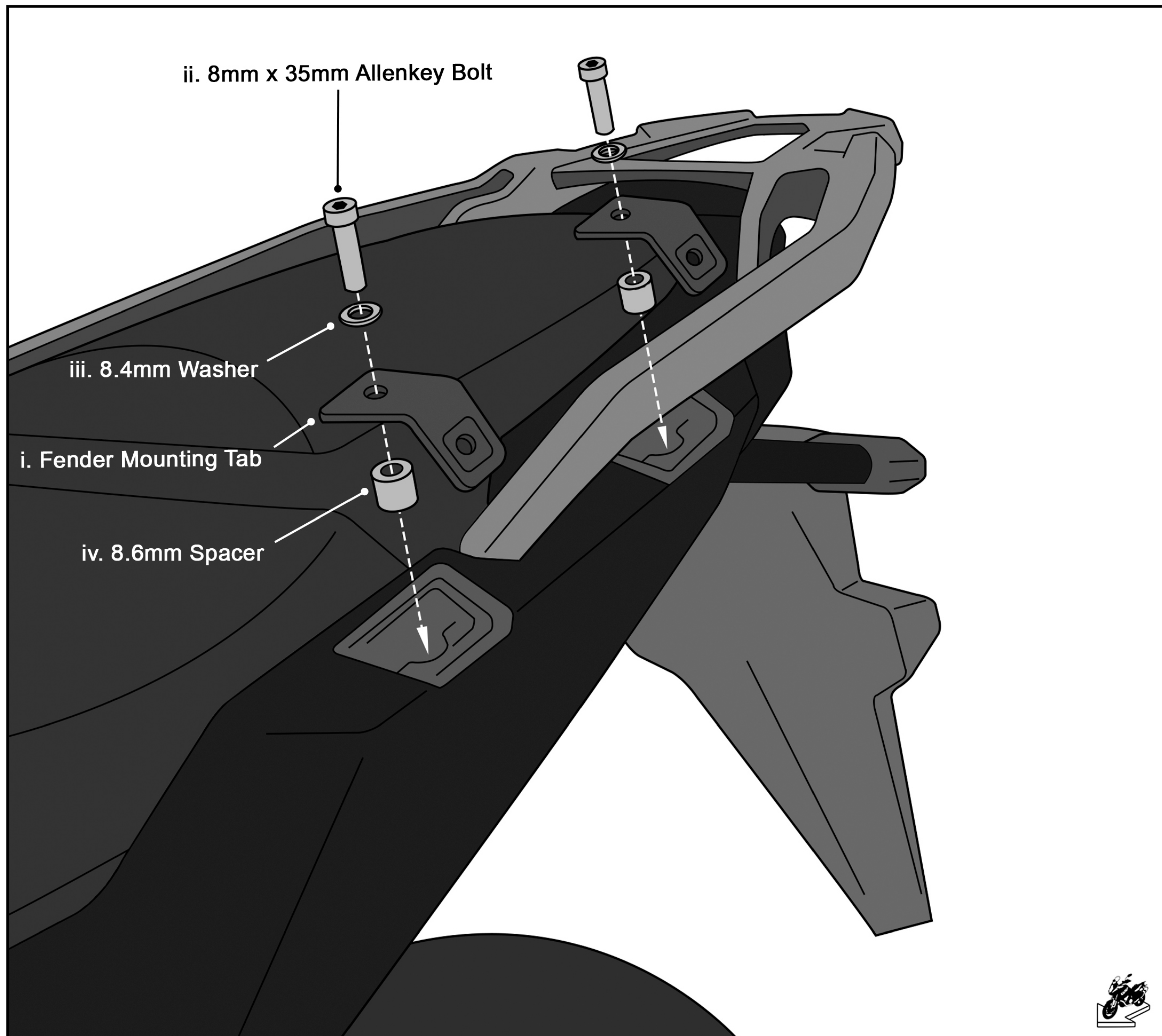


Fig 2. Installing Fender Mounting Tabs (I)

Step 3:

Remove OEM bolts from the passenger footpeg mount from both sides. Install the left footpeg mounting tab (V) on the left side of the bike and the right footpeg mounting tab (VIII) on the right side of the bike. See Fig 3. and Fig 4.

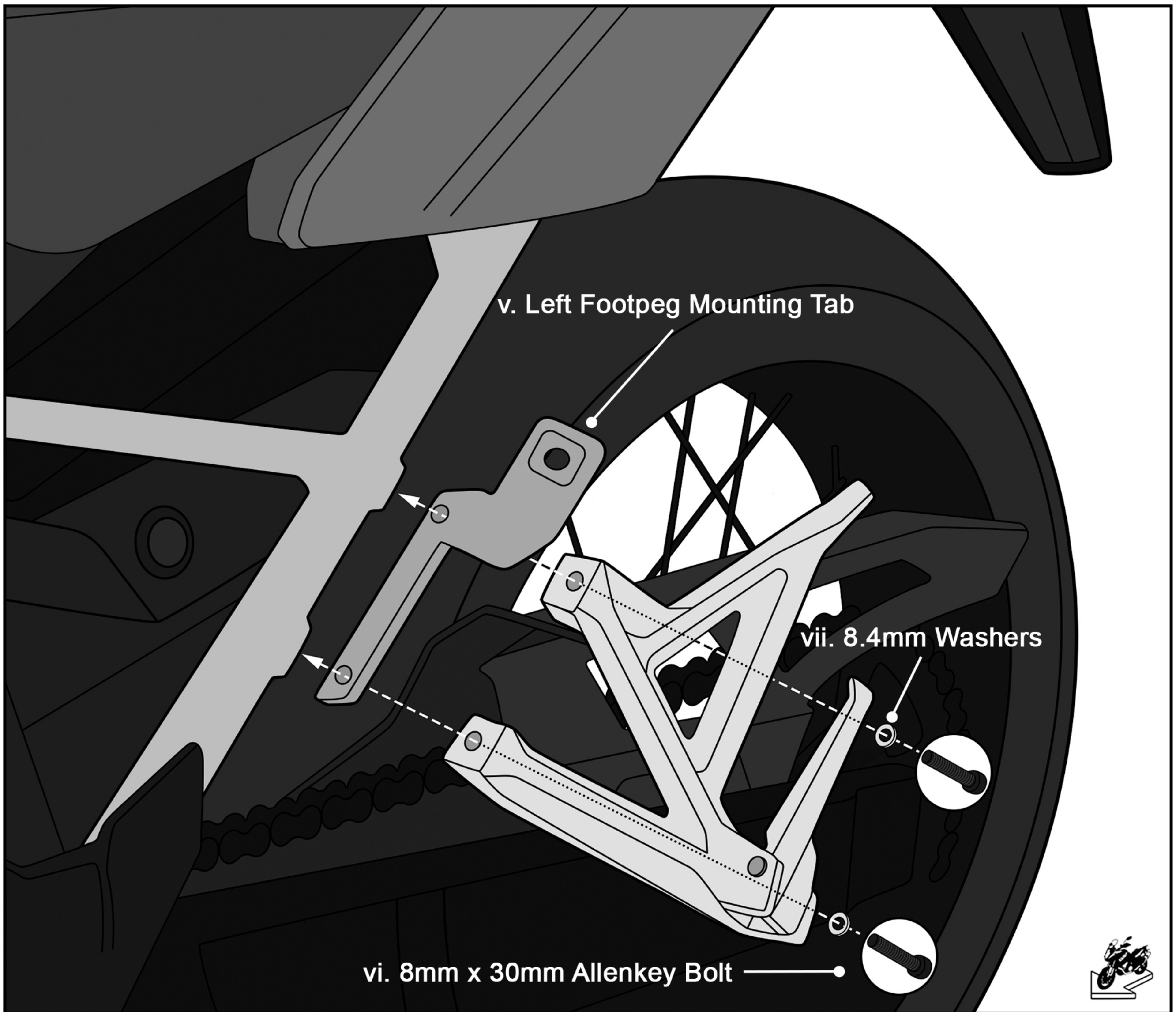


Fig 3. Installing the Left Footpeg Mounting Tab

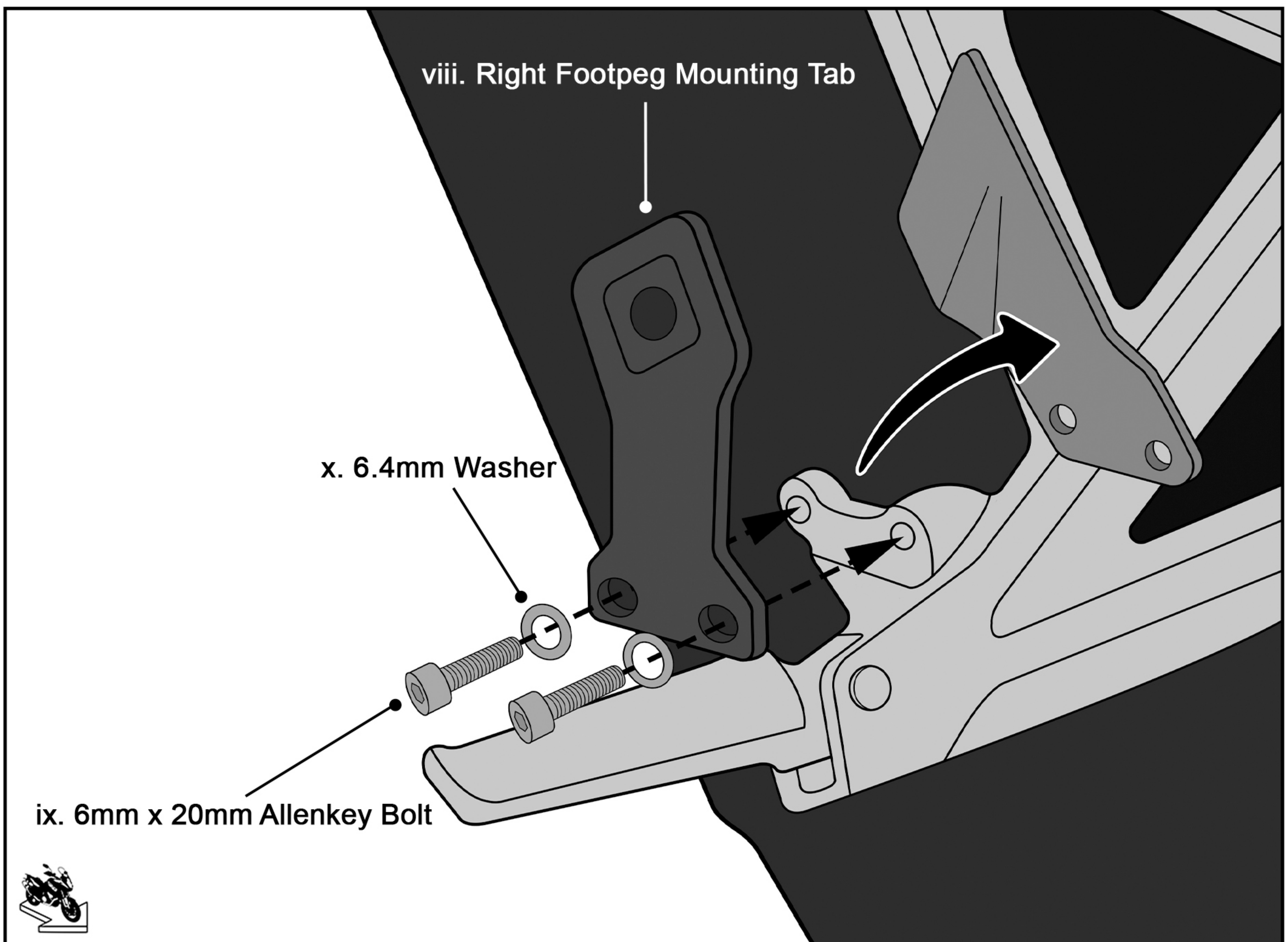


Fig 4. Installing the Right Footpeg Mounting Tab

Note: In this step, you are attaching the brackets just to make sure all the legs of the mounting brackets align with the mounting tabs.

Step 4:

Now attach the mounting brackets (XI) using the 9.5mm Allenkey Head Bolts (XII) to the Fender Mounting Tabs (I) and Footpeg Mounting Tabs (VI and VIII) and the Crossmember (XIII). See Fig 5.

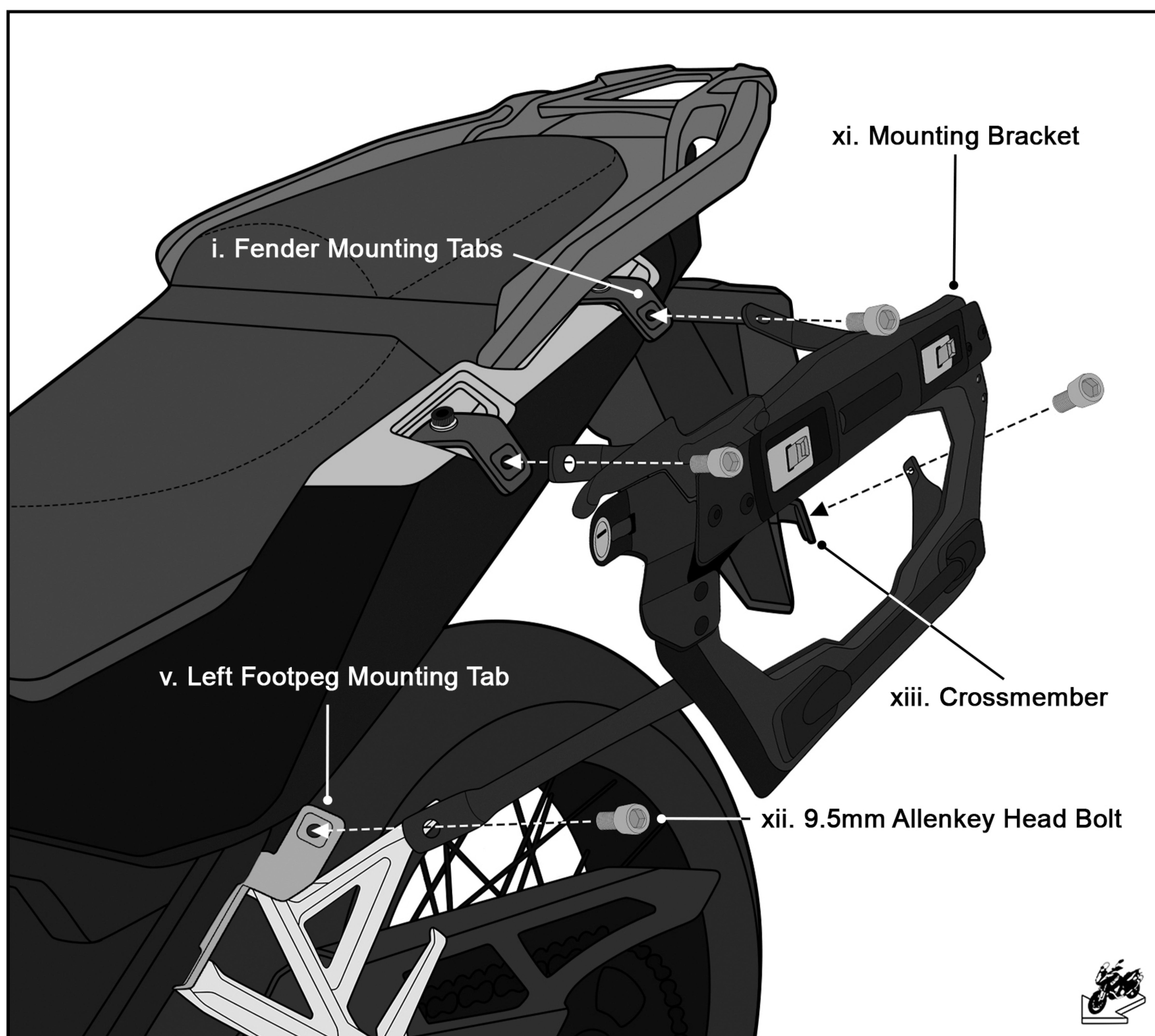


Fig 5. Attaching the mounting bracket to the mounting tabs

Note: You will need to drill mounting holes to attach the crossmember(XIII) to your motorcycle mudguard.

Step 5:

Hold the crossmember(XIII) to the motorcycle mudguard and mark the mounting holes with a marker/pencil. See Fig 6.

Loosen the 9.5mm Allenkey bolts(XII) and remove the crossmember(XIII) and the mounting brackets(XI).

Use a 6mm drill bit to drill the mounting holes for the crossmember(XIII).

Step 6:

Attach the crossmember(XIII) to the motorcycle mudguard. See Fig 6.

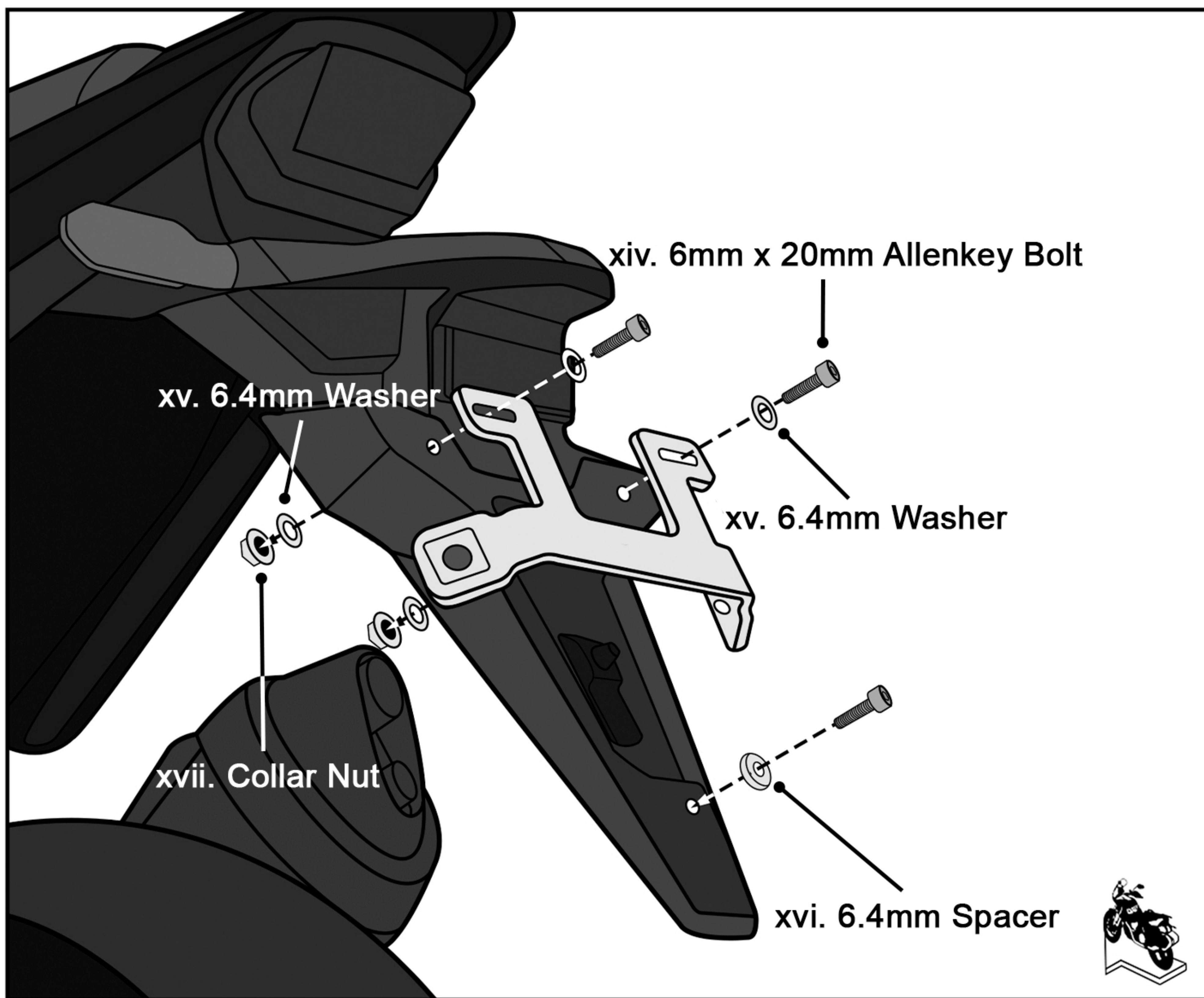


Fig 6. Installing the crossmember to the mudguard

Step 7:

Now you can attach both the mounting brackets(XI) to all the mounting tabs using the 9.5mm Allenkey Head Bolts(XII) and secure them with locktite. See Fig 7.

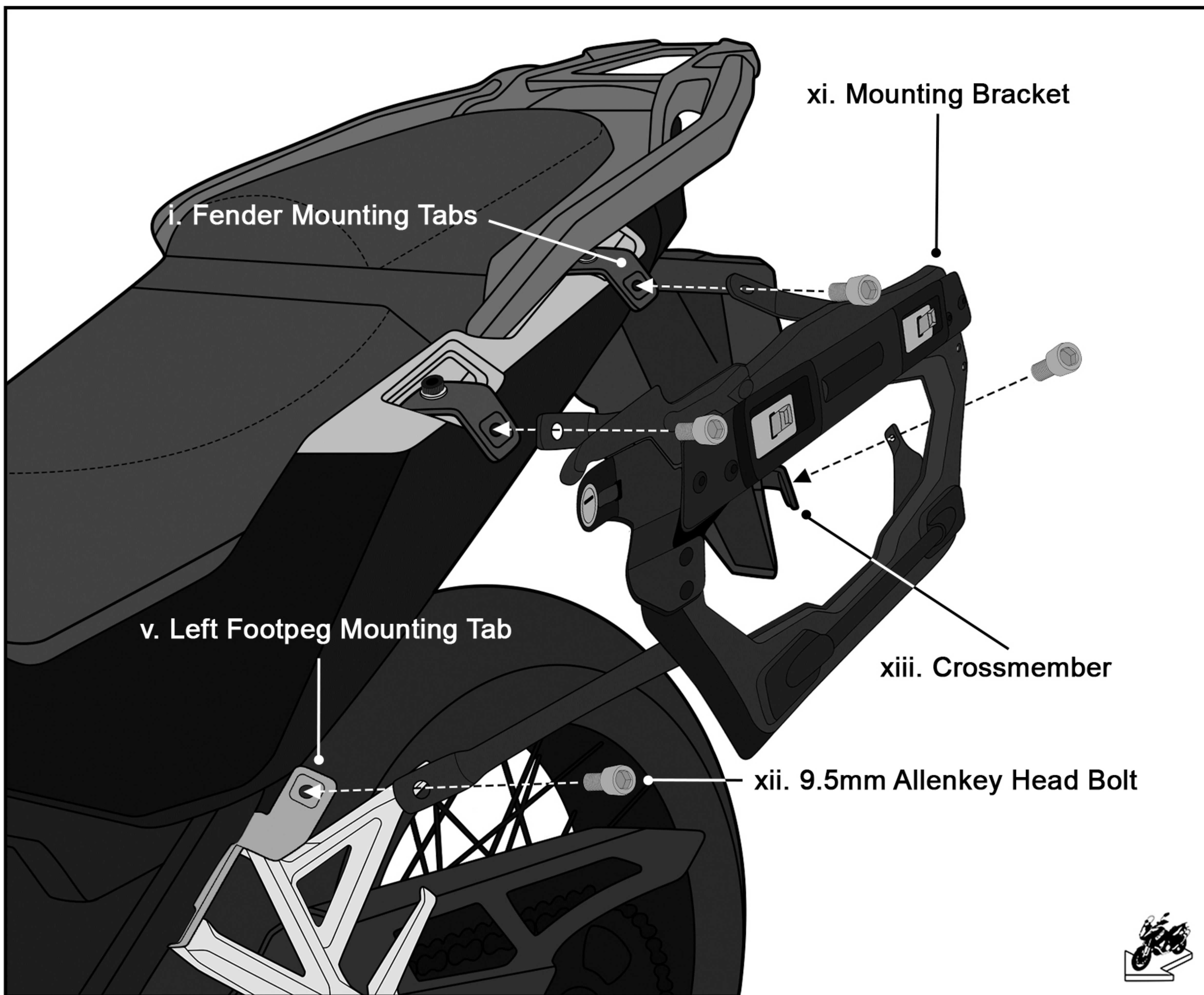


Fig 7. Attaching the mounting bracket to the mounting tabs

Step 8:

Once all the hardware is in place without excess tension, tighten all the provided and OEM bolts.

Finally, attach the side cases to the mounting bracket. Pull the lever on the bracket and align the back of the side case to the hooks. Once in place push the lever down to lock the case to the bracket. Repeat the same for the other side.

Congratulations! You have successfully installed the Viking Apex Aluminium Side Cases and now you are ready to ride.

Warnings!

- Do not install if any of the mounting hardware is damaged or impaired.
- If you have any questions or concerns about the installation, call Viking Bags or consult your local mechanic.
- Ensure no part of the bag obstructs any of the moving parts of the bike.
- Viking Bags is not liable for any damage or malfunctions caused to your motorcycle during the installation process.
- Improper loading can cause vehicle handling problems leading to death or severe injury.
- Periodically check the bolts on your bike for tightness.