

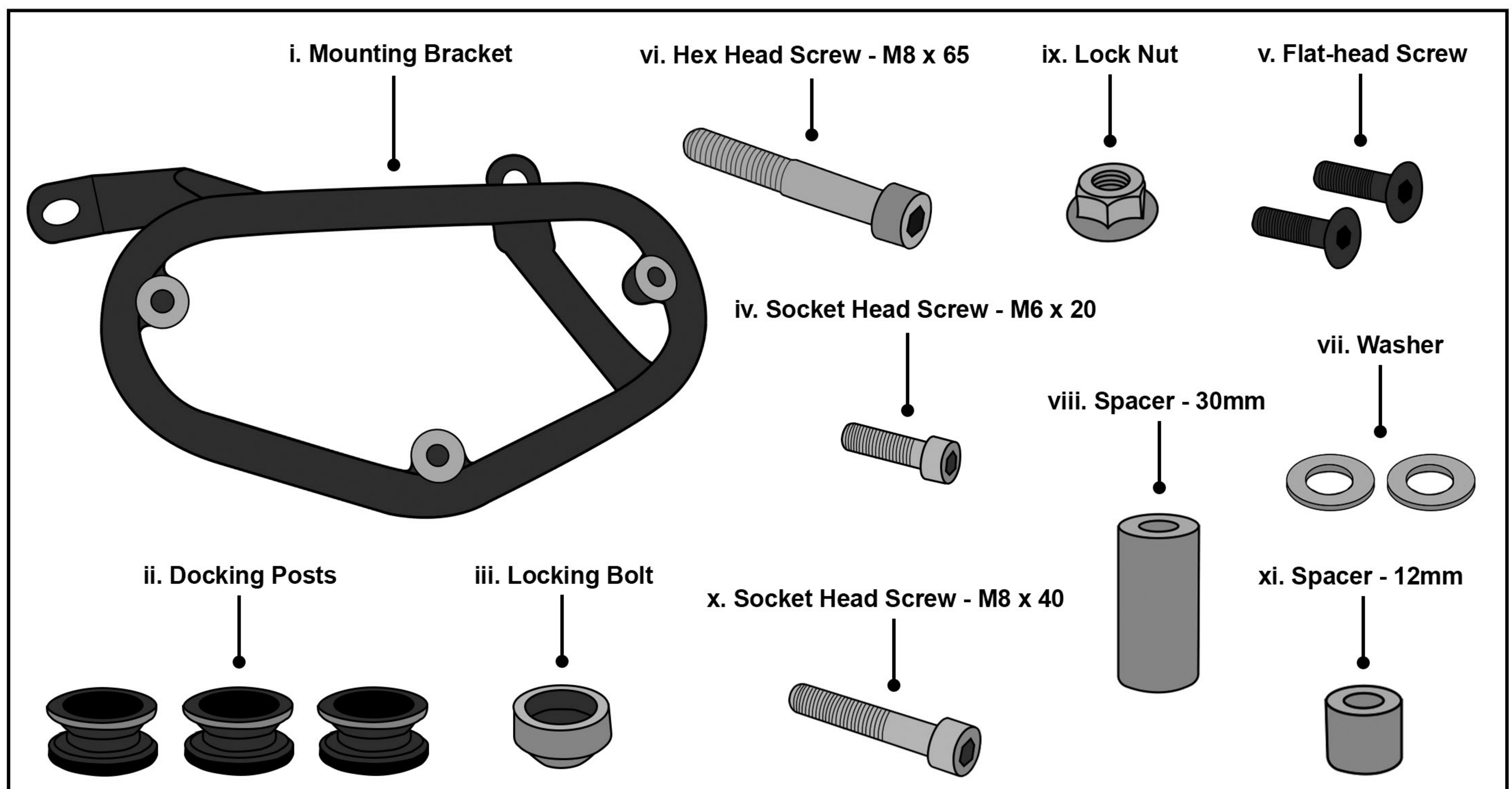
# Viking Quick Disconnect Saddlebags for Triumph Scramblers:



## Parts:

i	Mounting Bracket	x1
ii	Docking Posts	x3
iii	Locking Bolt	x1
iv	Socket Head Screw - M6 x 20	x1
v	Flathead Screw - M6 x 20	x2
vi	Hex Head Screw - M8 x 65	x1
vii	Washer	x2
viii	Spacer - 30 mm	x1
ix	Lock Nut	x1
x	Socket Head Screw - M8 x 40	x1
xi	Spacer - 12 mm	x1

## Parts Diagram:

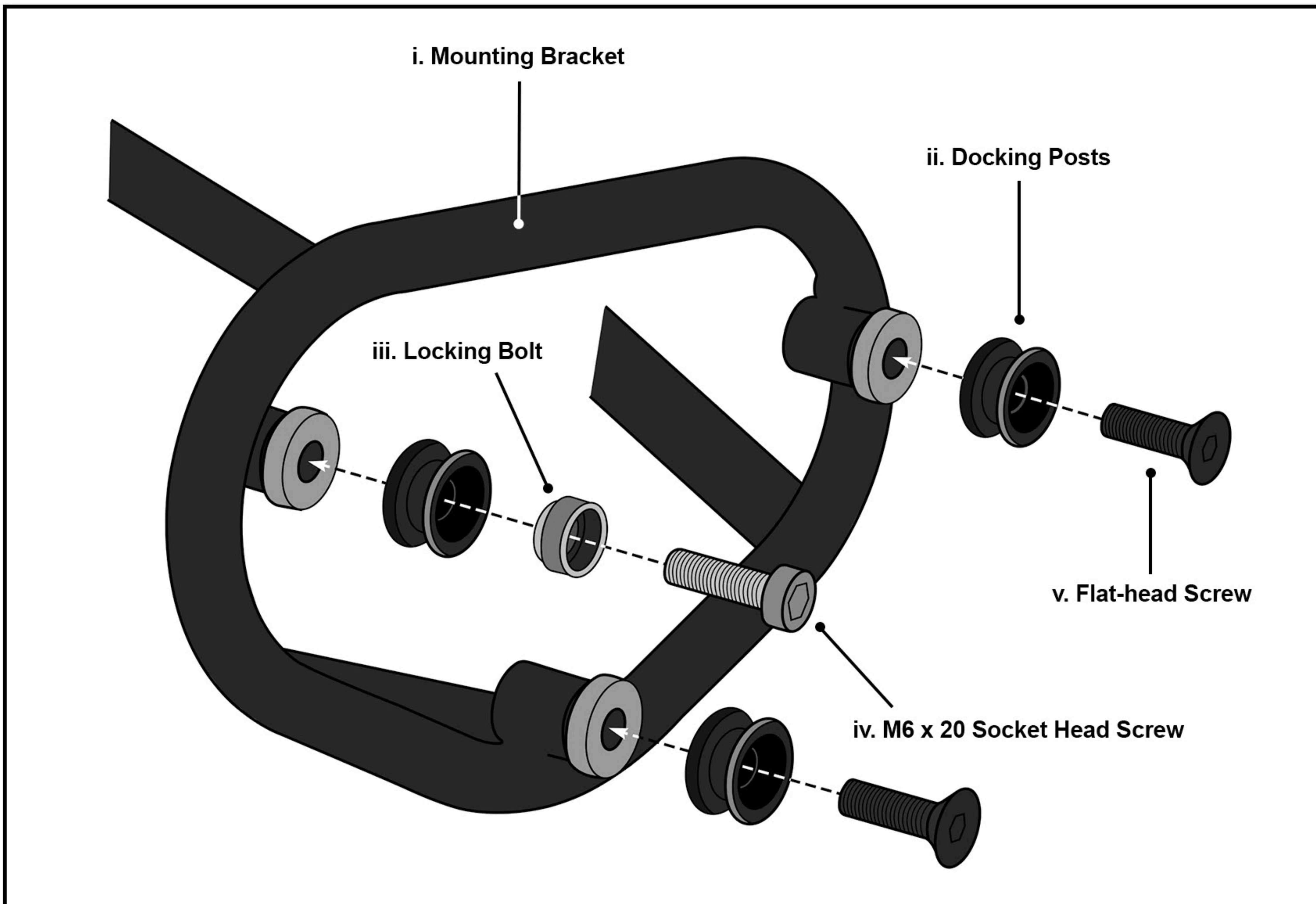


## Instructions:

### Step 1:

Install the 3 Docking Posts (ii) and the Locking Bolt (iii) to the Mounting Bracket as shown in Figure 1. We recommend using blue loctite for securing the screws. Apply medium thread locker (loctite) & tighten to 7 N-m.

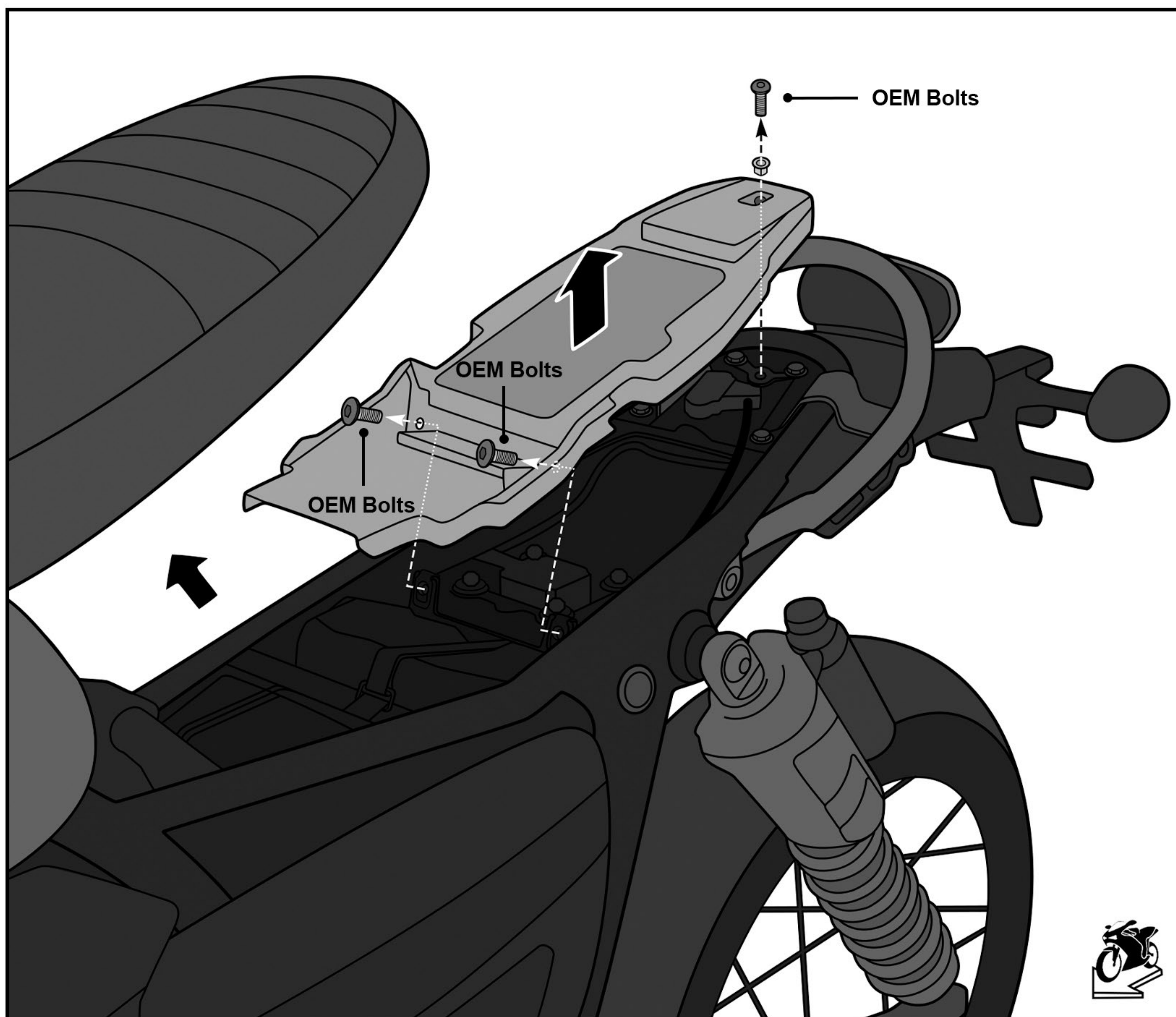




**Fig 1. Assembling the Mounting Bracket**

**Step 2:**

Remove the seat from your motorcycle. Once removed, loosen the 3 OEM screws holding the cover and remove the cover.

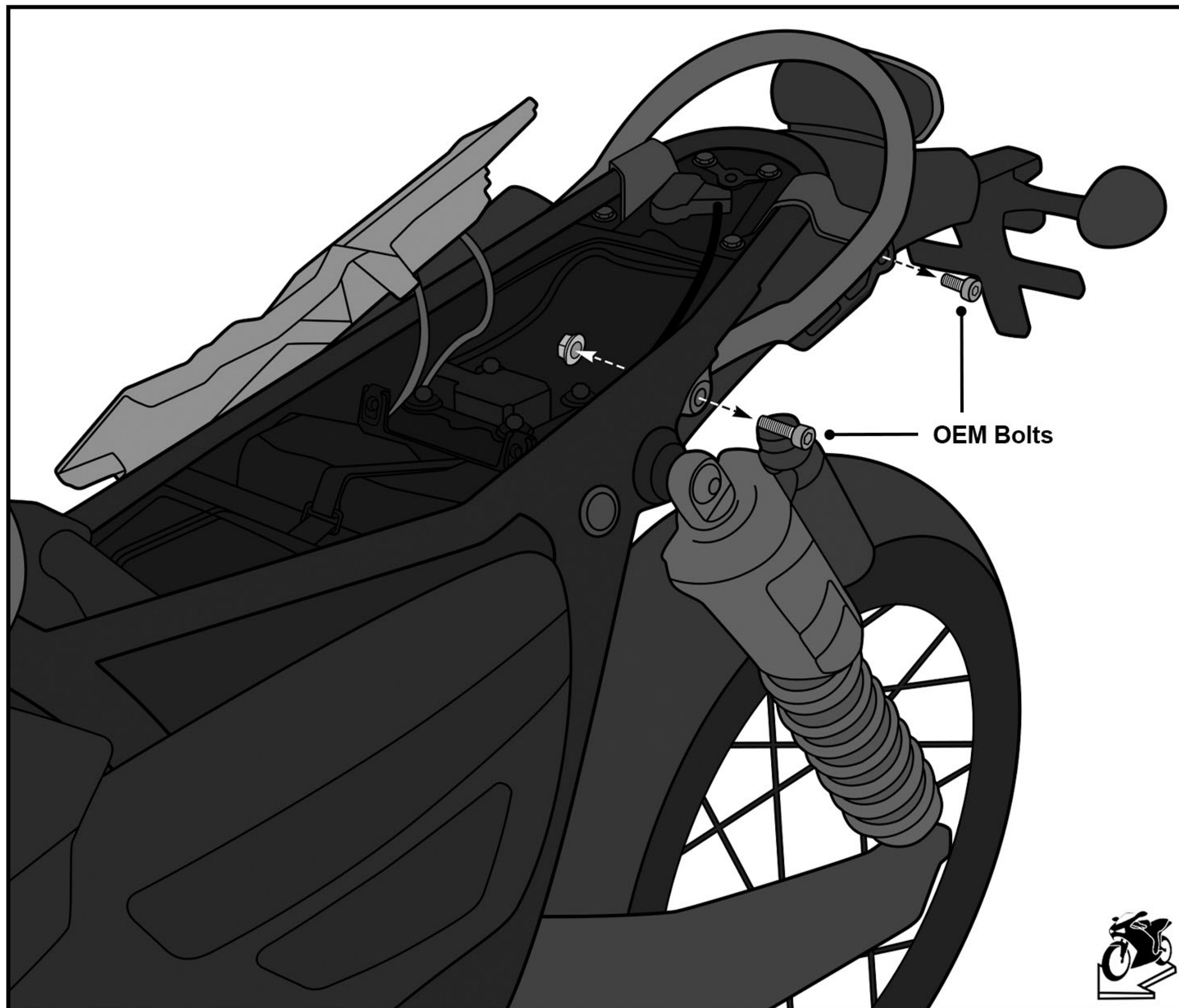


**Fig 2. Removing the Cover**

**Step 3:**

Remove the fender bolts as shown in Figure 3.





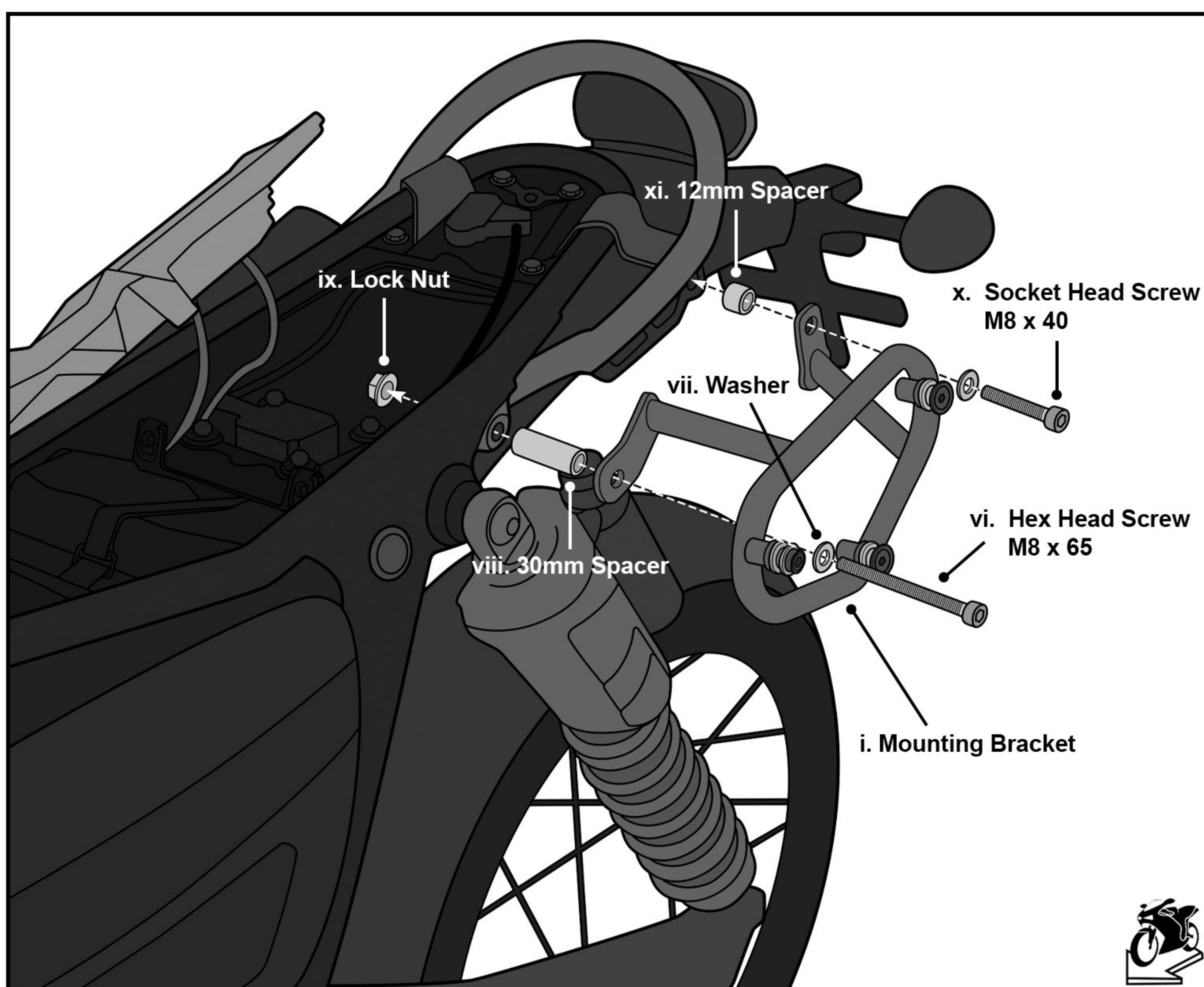
**Fig 3. Remove Fender Bolts**

**Step 4:**

Install the Mounting Bracket to your motorcycle's fender using the supplied screws, washers and spacers and locking nut. See Figure 4.

Note that the longer spacer goes towards the front side of the bike between the Mounting Bracket and the fender hole. The shorter spacer goes between the rear fender hole and the Mounting Bracket.

Apply medium thread locker and tighten the 2 screws to 21 N-m of torque.



**Fig 4. Installing the Mounting Bracket**

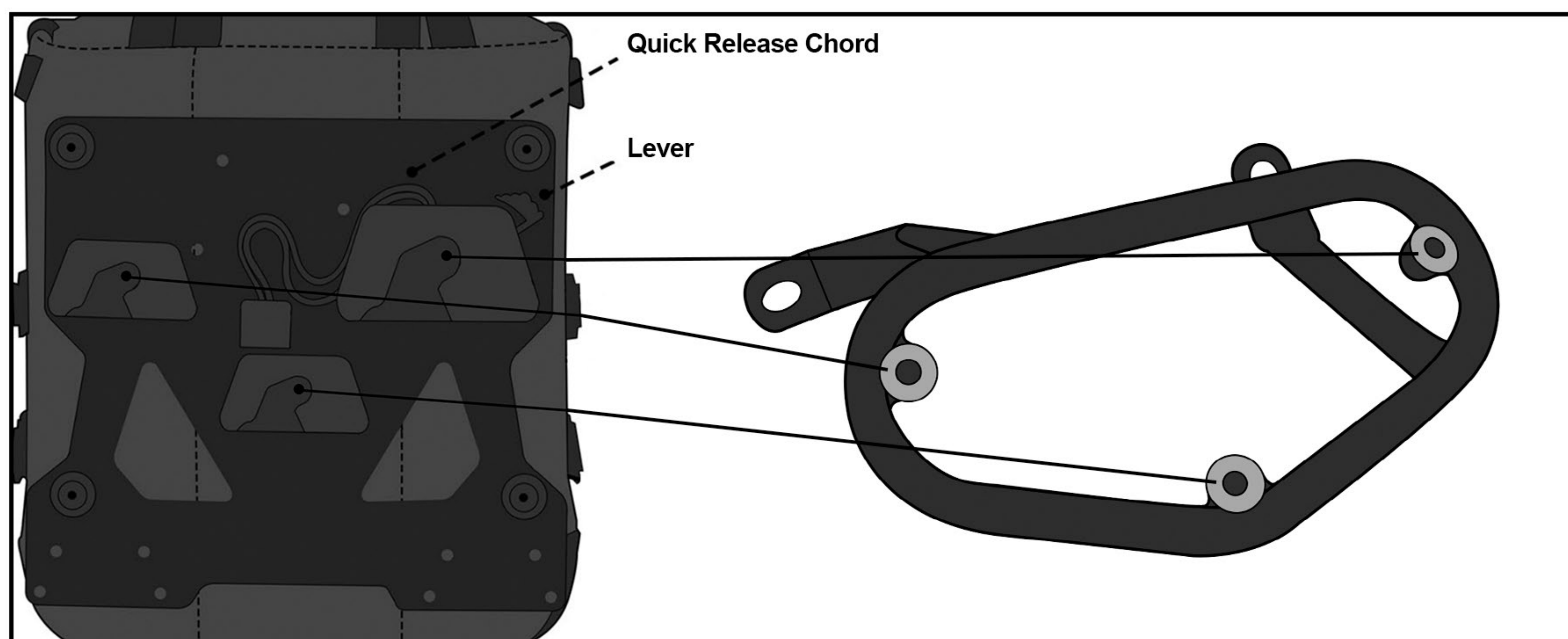


## Step 5:

The back of the bag comes equipped with a quick disconnect bracket.

Attach the bag to the Mounting Bracket by aligning the holes in the quick disconnect bracket with the 3 docking posts. Push the bag downwards so that the docking posts engage with the grooves in the bracket and the bag locks in. See Figure 5.

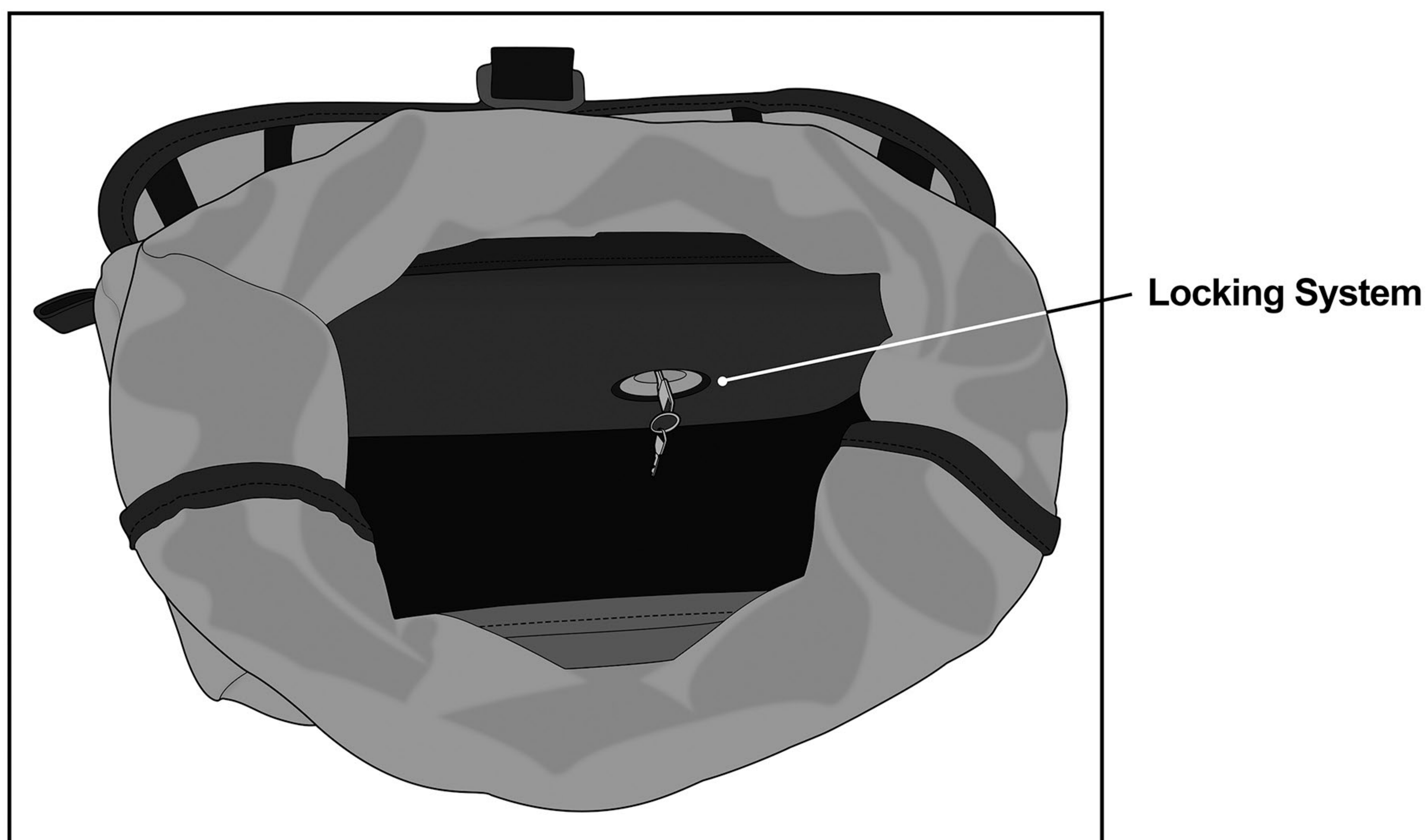
Pull the lever to disengage the lock and remove the bag.



**Fig 5. Attaching the bag to the bracket**

## Tip:

The quick disconnect system is key lockable. Lock / unlock the quick disconnect system from inside the bag to secure your bag against theft.



**locking system located below the waterproof liner**

## Warnings!

- Do not install if you are unsure about any of the installation steps.
- No part of the bag or side rack should obstruct any of the moving parts of the bike such as the wheels or drive-train.
- Viking Bags is not responsible for any damage or injury caused by improper installation or use of the product.