

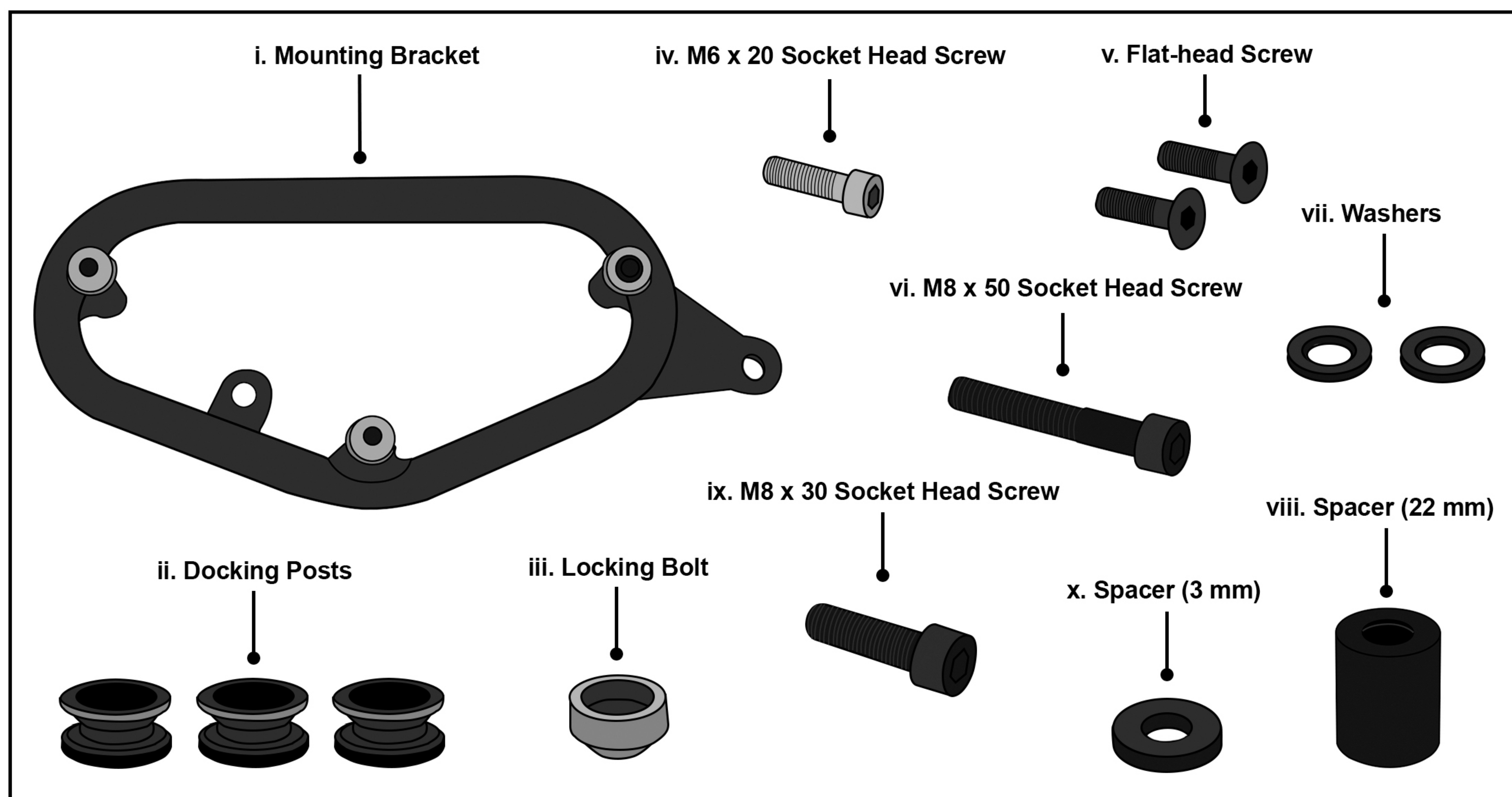
Viking Quick Detachable Saddlebag Installation for Rebel 300/500:



Parts:

| | | |
|------|---------------------------|----|
| i | Mounting Bracket | x1 |
| ii | Docking Posts | x3 |
| iii | Locking Bolt | x1 |
| iv | M6 x 20 Socket Head Screw | x1 |
| v | Flat-head Screw | x2 |
| vi | M8 x 50 Socket Head Screw | x1 |
| vii | Washers | x2 |
| viii | Spacer (22 mm) | x1 |
| ix | M8 x 30 Socket Head Screw | x1 |
| x | Spacer (3 mm) | x1 |

Parts Diagram:



Installation:

Step 1:

Install the 3 Docking Posts (ii) and the Locking Bolt (iii) to the mounting bracket as shown in Figure 1. We recommend using blue loctite for securing the screws. Tighten to 8 N-m.

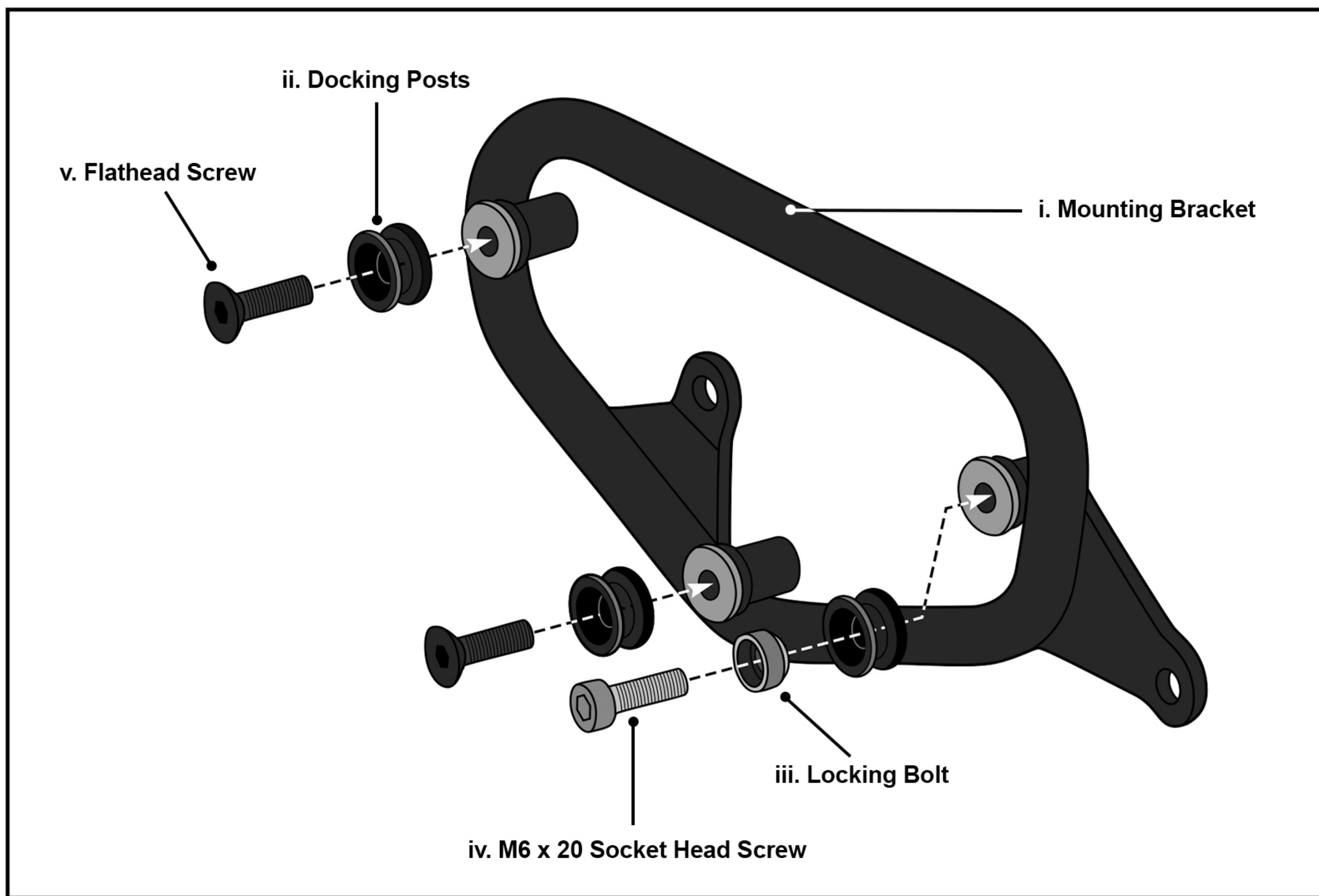


Fig 1. Assembling the Mounting Bracket

Step 2:

Remove the 2 existing OEM bolts from the fender.

Step 3:

Install the mounting bracket to the rear of your fender using the provided spacers, screws and washers. Note that the thicker spacer (viii) should be installed towards the front of the mounting bracket and the thinner spacer (x) should be installed towards the rear side.

See Figure 2.

We recommend using blue loctite. Tighten to 22 N-m.

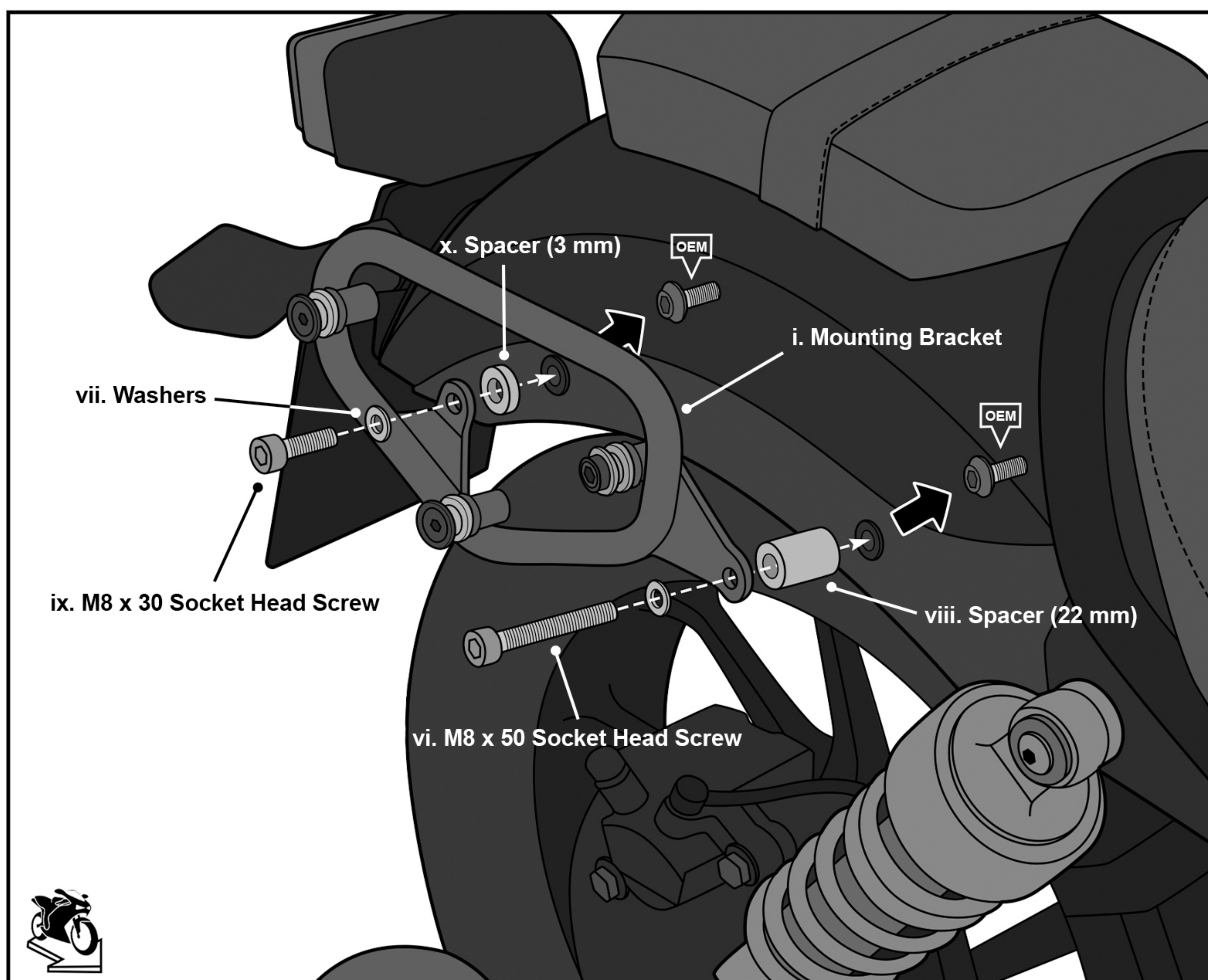


Fig 2. Installing the Mounting Bracket

Step 4:

The back of the bag comes equipped with a quick disconnect bracket. Attach the bag to the mounting bracket by aligning the holes in the quick disconnect bracket with the 3 docking posts. Push the bag downwards so that the docking posts engage with the grooves in the bracket and the bag locks in. See Figure 3.

Pull the lever to disengage the lock and remove the bag.

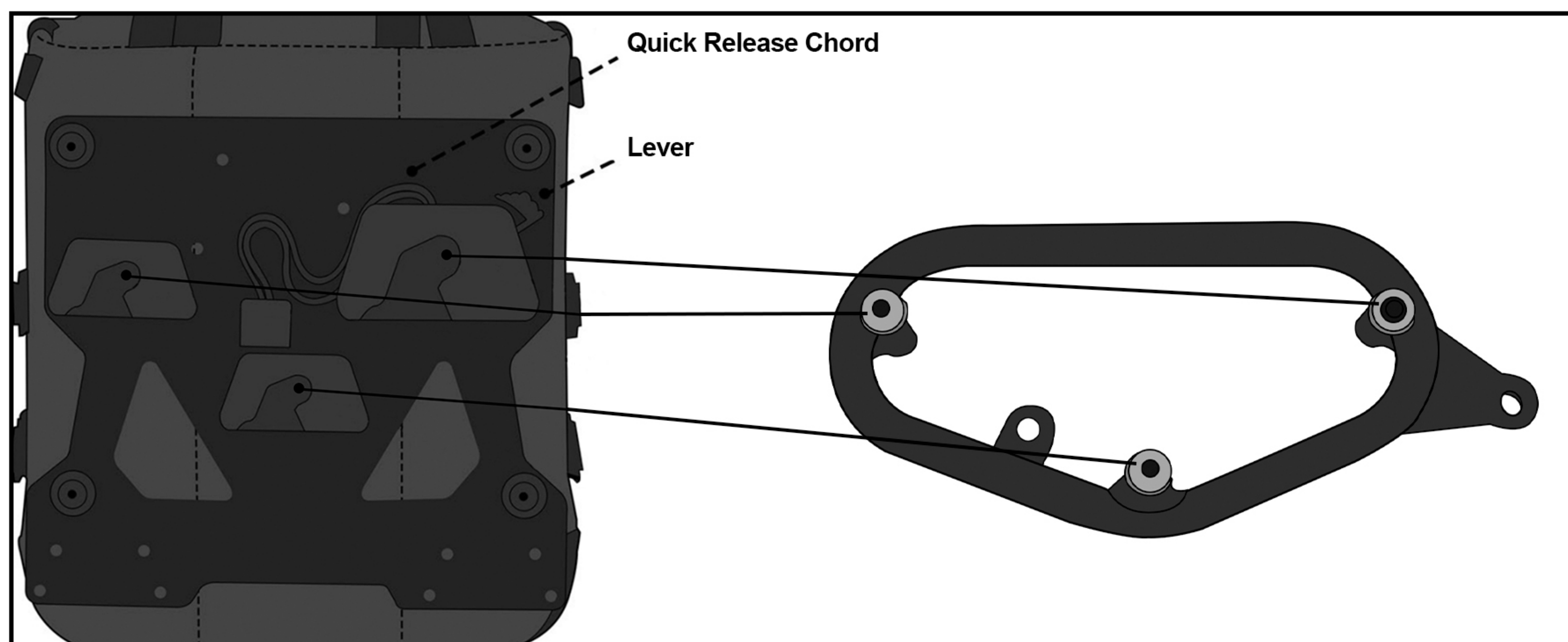
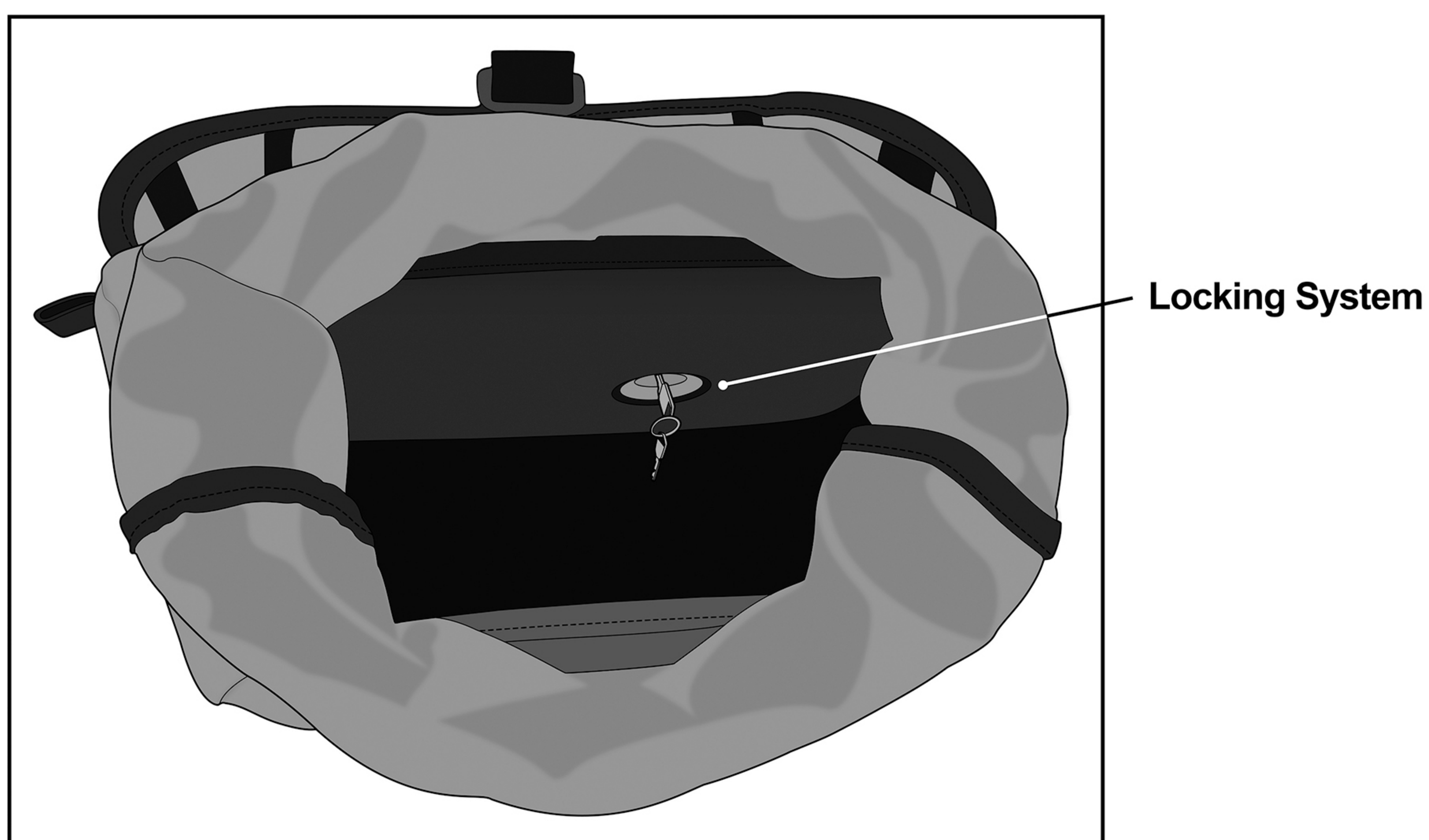


Fig 3. Attaching the Saddlebag

Tip:

The quick disconnect system is key lockable. Lock / unlock the quick disconnect system from inside the bag to secure your bag against theft.



locking system located below the waterproof liner

Congratulations, your Viking Incognito Solo Bag is installed and you are ready to ride!

Warnings!

- Do not install if you are unsure about any of the installation steps.
- No part of the bag or side rack should obstruct any of the moving parts of the bike such as the wheels or drive-train.
- Viking Bags is not responsible for any damage or injury caused by improper installation or use of the product.