

ANKER SOLIX

For tutorial videos, FAQs, manuals, and more information, please visit:

<https://support.anker.com>

Or scan the QR code below:



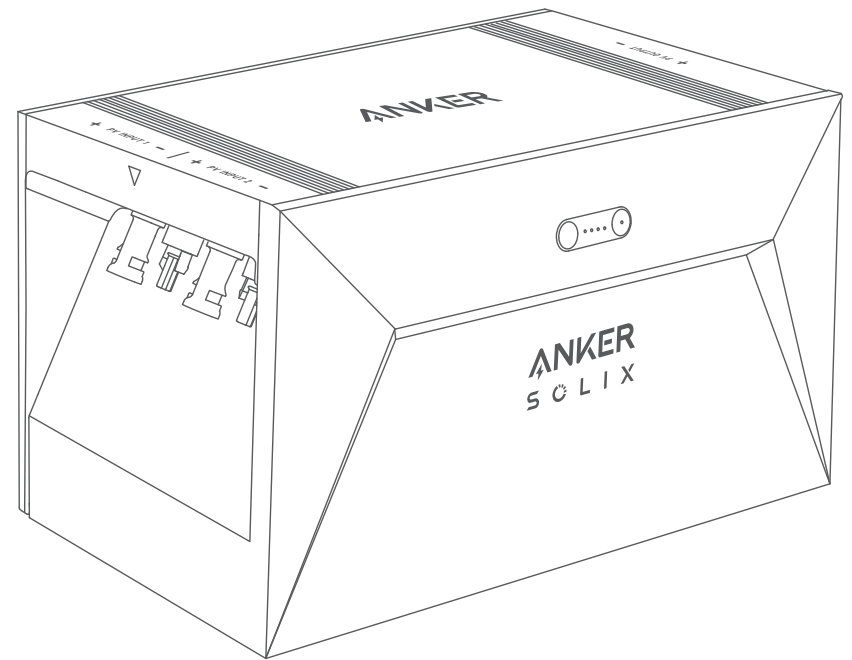
@anker_official
@anker_jp



@AnkerDeutschland
@AnkerJapan
@Anker



@AnkerOfficial
@Anker_JP



PAP 22
Raccolta Carta

Product Number: A17C0

5100500xxxx V01



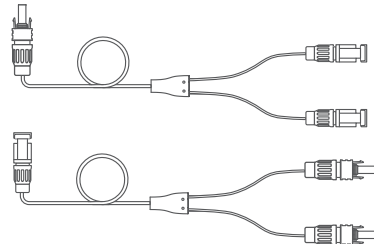
Anker SOLIX Solarbank E1600

USER MANUAL

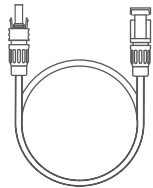
What's in the Box



Anker SOLIX Solarbank E1600



MC4 Y Output Cable x2



Solar Panel Extension Cable x4



User Manual

5 MC4 ports for PV input 1

6 MC4 ports for PV input 2

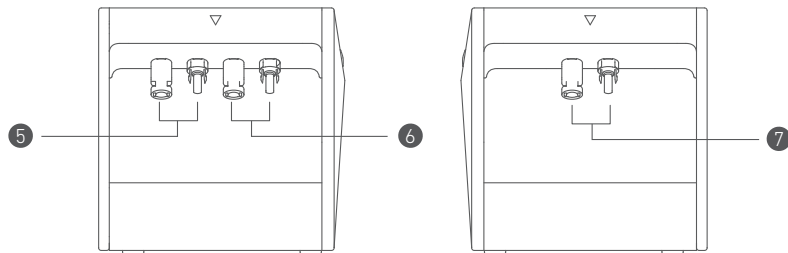
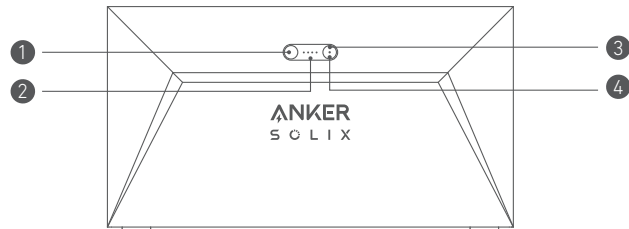
7 MC4 ports for PV output

Button Controls

Button	Action	Function
	Press for 2 seconds	Turn Solarbank on
	Press for 2 seconds	Turn Solarbank off
	Press once when powered on	Check current battery level
	Press once	Enable Internet connection
	Press for 2 seconds	Disable Internet connection
	Press for 7 seconds	Reset Bluetooth and Wi-Fi
	Simultaneously press for at least 15 seconds	Reset Solarbank

Overview

Product Overview



1 Power button

2 Power status LED

3 IoT button

4 IoT status LED

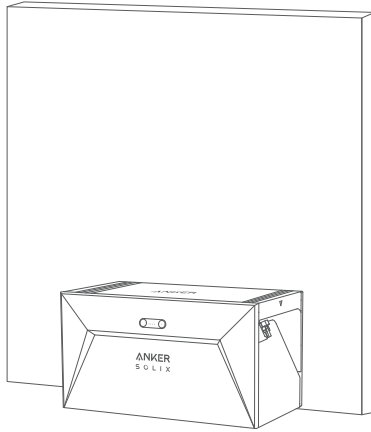
LED Guide

LED	Indication	Status
	Breathing white	Being charged
	Steady white	Current battery level
	Flashing green	Disconnected to the Internet
	Steady green	Connected to the Internet
	Light off	Connection disabled
	Flashing red	Malfunction warning

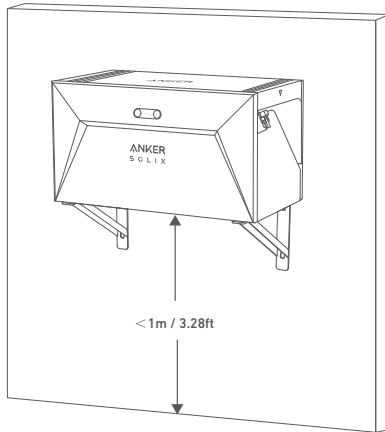
Getting Started

Install Your Solarbank

Option A: Position your Solarbank on a hard, level floor.



Option B: Mount your Solarbank onto a solid concrete wall using additional mount brackets*.



*Please scan the QR code to buy mount brackets.

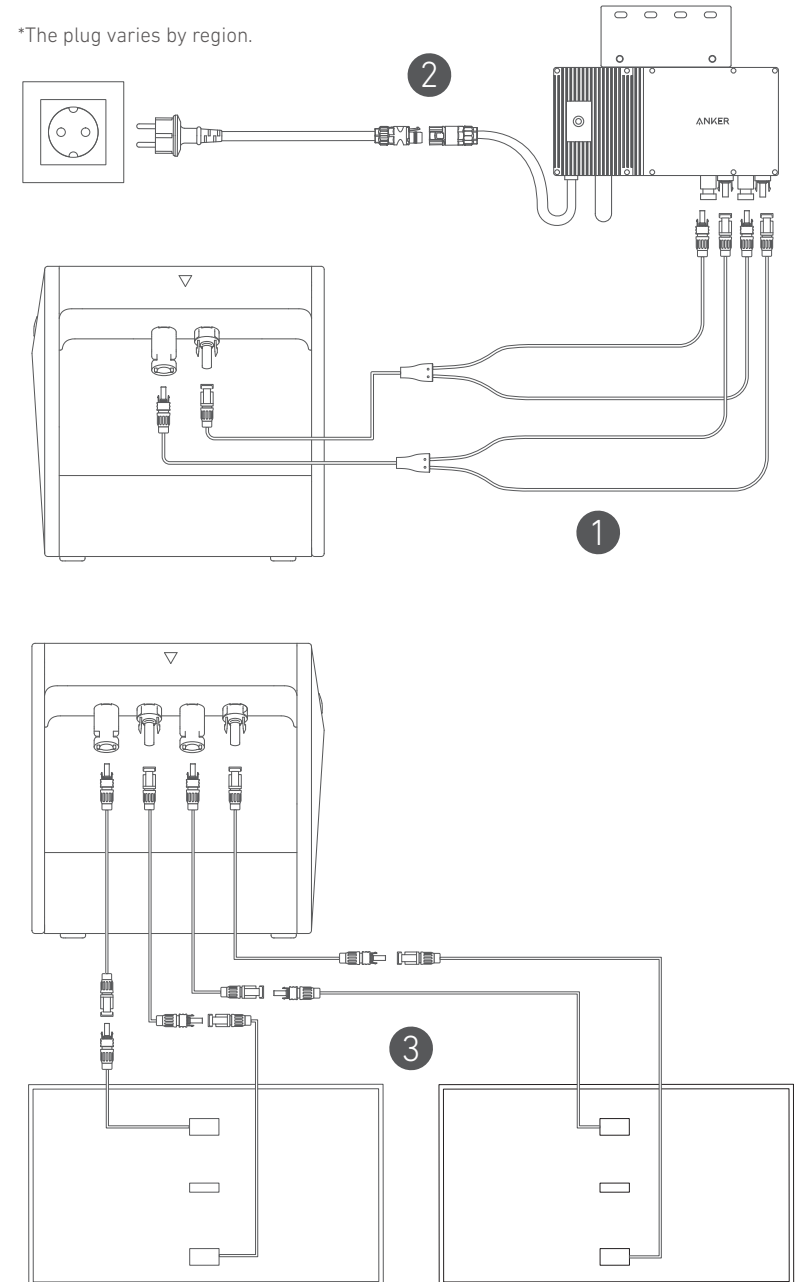


Connect Cables

Single Solarbank

1. Connect Solarbank to the micro inverter using the included MC4 Y output cables.
2. Connect the micro inverter to a home outlet using the original cable.
3. Connect the solar panels to Solarbank using the included solar panel extension cables.

*The plug varies by region.

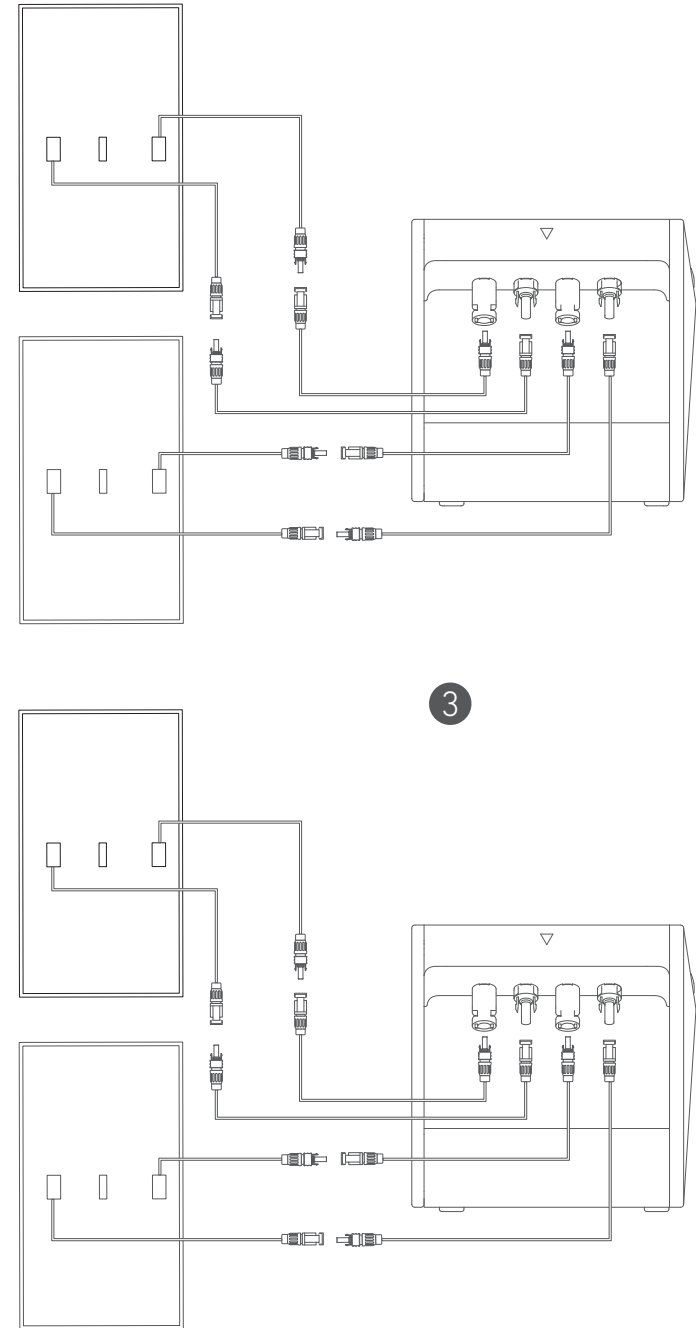
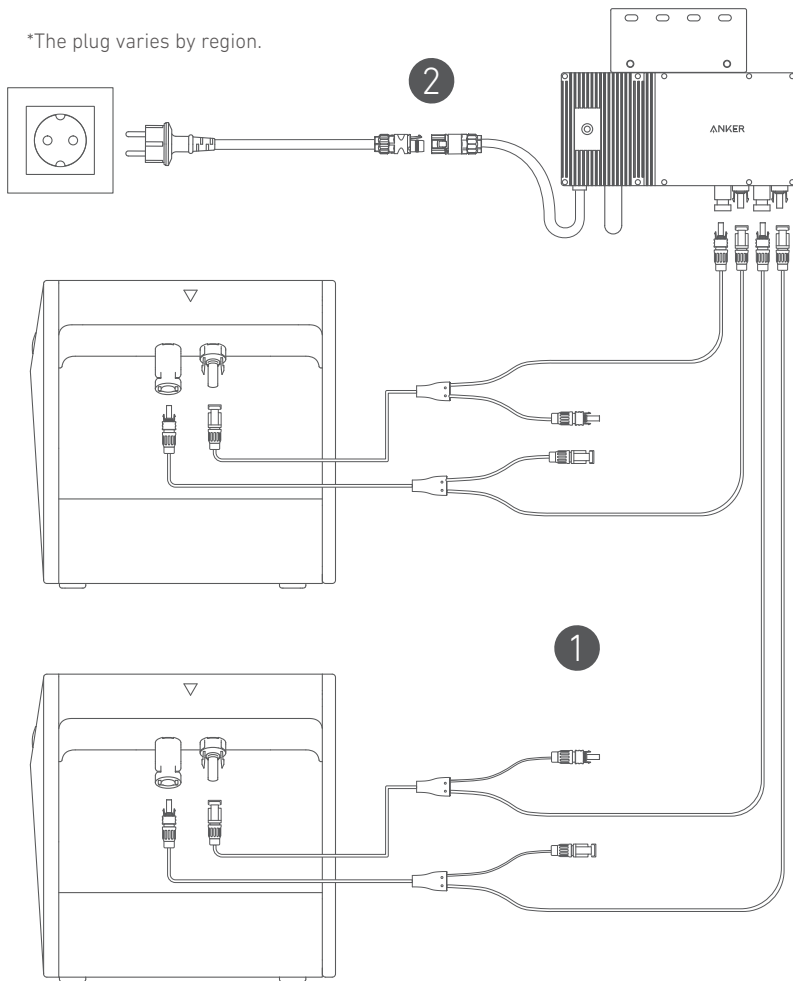


Cascaded Solarbanks

Only two Solarbanks can be cascaded to double the capacity to 3,200 Wh.

1. Connect each Solarbank to the micro inverter using the included MC4 Y output cables.
2. Connect the micro inverter to a home outlet using the original cable.
3. Connect solar panels to Solarbanks using the included solar panel extension cables.

*The plug varies by region.



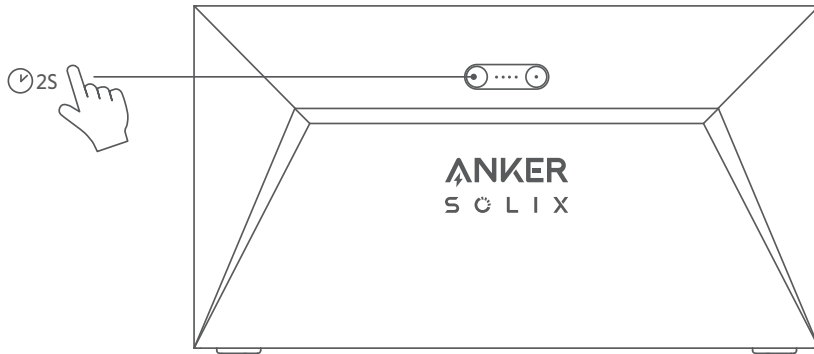
 Before connecting cables, ensure that the micro inverter, solar panels, and the home grid are disconnected, and Solabank is turned off.

Using Your Solarbank

Power On

Press the power button for 2 seconds to turn on your Solarbank.

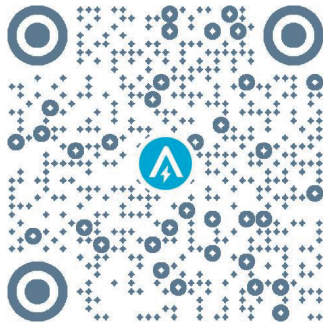
When powered on, the power status LED will flash white and IoT status LED will flash green simultaneously three times.



Anker App for Smart Control

Download the Anker app to get full functionality of your Solarbank.

1. Download the Anker app from the App Store (iOS devices) or Google Play (Android devices), or by scanning the QR code. After installing the app, sign up for an account.



2. Follow the on-screen instructions to complete the setup.

- **Connect to the Internet:** To remotely interact with your home system, connect your Solarbank to the Internet via Wi-Fi 2.4G or Bluetooth 4.0 network.
- **Establish a home system:** Create a home system or join an existing one, and you can monitor energy flow and make an energy plan for your home.
- **Transfer energy:** Customize your energy usage and storage preferences by period.
- **Check energy data:** Get insight into your system's energy generation, usage, and storage with energy graphs.

Storage and Maintenance

For optimal performance, follow the instructions below to store and maintain your Solarbank regularly.

- Keep the product on a flat surface when using, charging, and storing.
- Use a cotton cloth and water to clean. Do not use steel wool or other hard materials for cleaning.
- For long-term storage, charge and discharge Solarbank once every 3 months (discharge Solarbank to 20%, then recharge it to 80%).

FAQ

Q1: Can Solarbank be charged and discharged at the same time?

No, Solarbank uses the same port for input and output connections.

Q2: Can Solarbank be charged with solar panels from a different brand?

Yes. Please use solar panels that meet the following specifications for charging.

Input current: 25A max Voltage range: 11-60VDC Rated output power (discharging): 880W max

Q3: How can I prolong the lifespan or better maintain my Solarbank that is mounted on the floor?

If your balcony is often flooded, we recommend raising your Solarbank. This will prevent malfunctions due to prolonged soaking.

Specifications

Specifications are subject to change without notice.

Capacity	1600Wh
Battery type	LiFePO4
Wireless type	Bluetooth, 2.4GHz Wi-Fi
Input port	MC4
Input power (charging)	800W max
Input current	20A max
Voltage range	11-60VDC
Output port	MC4
Rated output power (discharging)	800W max
Output current	20A max
Nominal voltage range	11-60VDC
Charging temperature	0-55°C
Discharging temperature	-20-55°C
Dimensions	420×232×240mm
Weight	20kg
Waterproof rating	IP65

Warranty	10 years
----------	----------

Safety Information

IMPORTANT SAFETY INSTRUCTIONS

Read all instructions before you use this product. Do not make any changes or create settings that are not described in this manual. If physical injury, loss of data, or damage is caused by failure to follow instructions, the warranty does not apply.

- To reduce the risk of injury, close supervision is necessary when the product is used near children.
- Do not put fingers or hands into the product.
- Use of an attachment not recommended or sold by the product manufacturer may result in a risk of fire, electric shock, or injury to persons.
- To reduce risk of damage to the electric plug and cord, pull the plug rather than the cord when disconnecting the product.
- Do not use the product in excess of its output rating. Overload outputs above the rating may result in a risk of fire or injury to persons.
- Do not use the product or attachment that is damaged or modified. Damaged or modified batteries may exhibit unpredictable behavior resulting in fire, explosion, or risk of injury.
- Do not operate the product with a damaged cord or plug, or a damaged output cable.
- Do not disassemble the product. Take it to a qualified service person when service or repair is required. Incorrect reassembly may result in a risk of fire or electric shock.
- Do not expose the product to fire or high temperatures. Exposure to fire or temperatures above 130°C may cause an explosion.
- To reduce the risk of electric shock, unplug the power pack from the outlet before attempting any instructed servicing.
- Have servicing performed by a qualified repair person using only identical replacement parts. This will ensure that the safety of the product is maintained.
- When charging a device, the product may feel warm. This is a normal operating condition and should not be a cause for concern.
- When charging the internal battery, work in a well-ventilated area and do not restrict ventilation in any way.
- Do not clean the product with harmful chemicals or detergents.
- Misuse, dropping, or excessive force may cause product damage.
- When disposing of secondary cells or batteries, keep cells or batteries of different electrochemical systems separate from each other.
- Do not use or store this product in direct sunlight for a long period, such as in a car, cargo bed, or any other place where it will be exposed to high temperatures. Doing so may cause the product to malfunction, deteriorate, or generate heat.
- Servicing of batteries should be performed or supervised by personnel knowledgeable about batteries and the required precautions.
- Do not use this product near strong static electricity or strong magnetic fields.
- Do not expose this product to flammable, explosive gas, or smoke.
- Do not stand on the product.
- Do not immerse the product in water. If the product accidentally falls into water, place it in a safe, open place and keep it away from fire until it is completely dry.

General Instructions Regarding Removal and Installation of Batteries

- When replacing batteries, replace with the same type and number of batteries or battery packs.
- Do not dispose of batteries in a fire. The batteries may explode.
- Do not open or damage batteries. Released electrolytes may be toxic and are harmful to skin and eyes.
- A battery can present a risk of electrical shock and high short-circuit current. The following precautions

should be observed when working on batteries:

- Remove watches, rings, or other metal objects.
- Use tools with insulated handles.
- Wear rubber gloves and boots.
- Do not lay tools or metal parts on top of batteries.
- Disconnect the charging source prior to connecting or disconnecting battery terminals.
- Determine if the battery is inadvertently grounded. If inadvertently grounded, remove the source from the ground. Contact with any part of a grounded battery can result in electrical shock. The likelihood of such shock can be reduced if such grounds are removed during installation and maintenance (applicable to equipment and remote battery supplies not having a grounded supply circuit).

Warning:

- Replacing a battery with an incorrect type may nullify safeguards and create danger;
- Disposal of the battery/product in a fire, a hot oven, or another source of significant heat, or by mechanically crushing or cutting the battery/product may result in an explosion;
- Leaving the battery/product in an extremely hot environment may result in an explosion or leakage of flammable liquids or gases;
- Subjecting the battery/product to extremely low air pressure may result in an explosion or leakage of flammable liquids or gases.

 CAUTION: RISK OF EXPLOSION IF BATTERY IS REPLACED BY AN INCORRECT TYPE. DISPOSE OF USED BATTERIES ACCORDING TO THE INSTRUCTIONS.

 ATTENTION RISQUE D'EXPLOSION SI LA BATTERIE EST REMPLACÉE PAR UN TYPE INCORRECT. ÉLIMINER LES BATTERIES USÉES SELON LES INSTRUCTIONS.

Attention



Not permitted on aircraft.



Declaration of Conformity

Hereby, Anker Innovations Limited declares that this product is in compliance with Directives 2014/53/EU & 2011/65/EU. The full text of the EU declaration of conformity is available at the following internet address: <https://www.anker.com>.

The following importer is the responsible party (contract for EU matters):
Anker Innovations Deutschland GmbH | Georg-Muche-Strasse 3, 80807 Munich, Germany



This symbol means the product must not be discarded as household waste, and should be delivered to an appropriate collection facility for recycling. Proper disposal and recycling helps protect natural resources, human health, and the environment. For more information on the disposal and recycling of this product, contact your local municipality, disposal service, or the shop where you bought this product.



The Bluetooth® word mark and logos are registered trademarks owned by the Bluetooth SIG, Inc. and any use of such marks by Anker Innovations Limited is under license. Other trademarks and trade names are those of their respective owners.

Customer Service

DE: Kundenservice

ES: Atención al Cliente

FR: Service Client

IT: Servizio Clienti

NL: Klantenservice



support@anker.com

support.me@anker.com (For Middle East and Africa Only)



(US/CA) +1 (800) 988-7973

(UK) +44 (0) 1604 936 200

(DE) +49 (0) 69 9579 7960

+49 (800) 000 2522 (Anker SOLIX)

(Middle East & Africa) +971 529 750 842

(UAE) +971 8000 320 817

(KSA) +966 8008 500 030

(Kuwait) +965 2206 9086

(Egypt) +20 8000 000 826

(AU) +61 3 8331 4800

(TR) +90 (850) 460 1414

(RU) +8 (800) 511 8623

(India) +91 1800 3138831

(中国) +86 400 0550 036

(日本) +81 03 4455 7823

(한국) +82 02-1661-9246