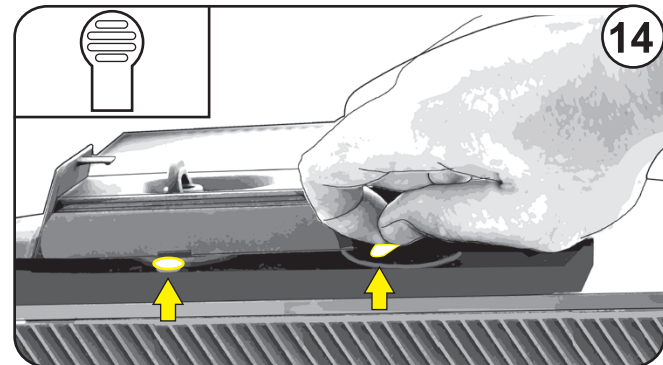
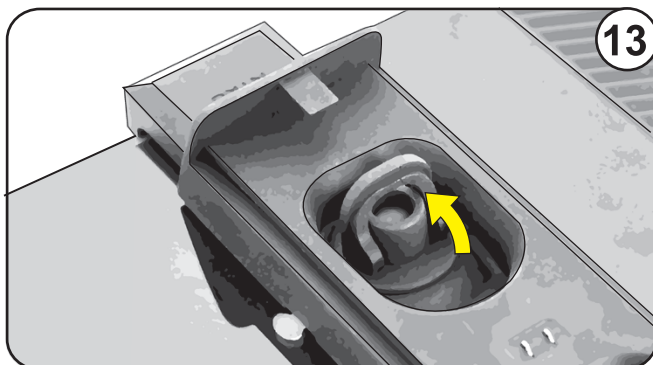
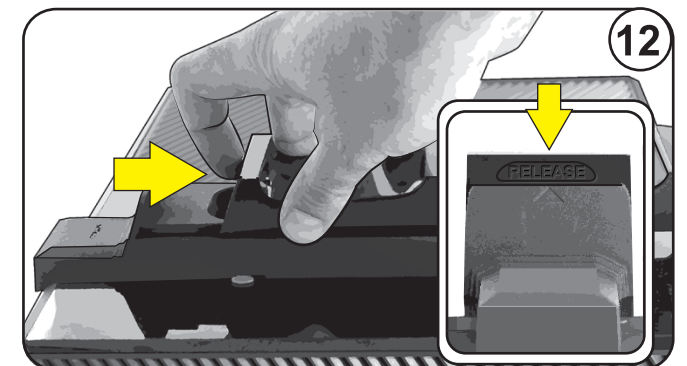
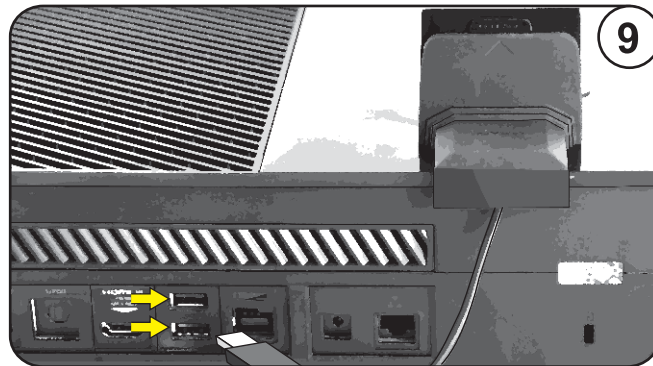
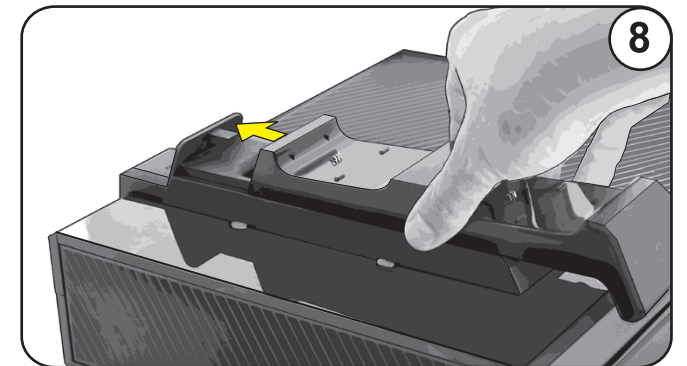
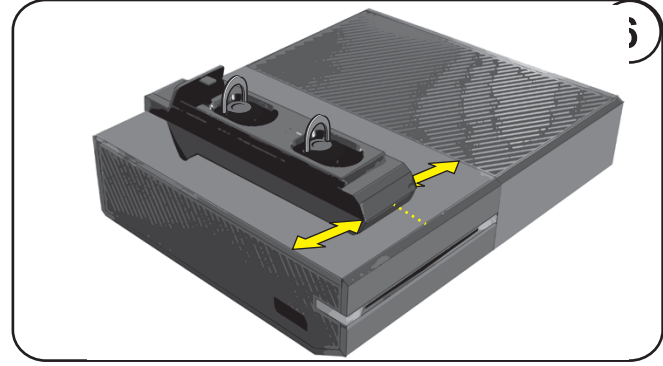
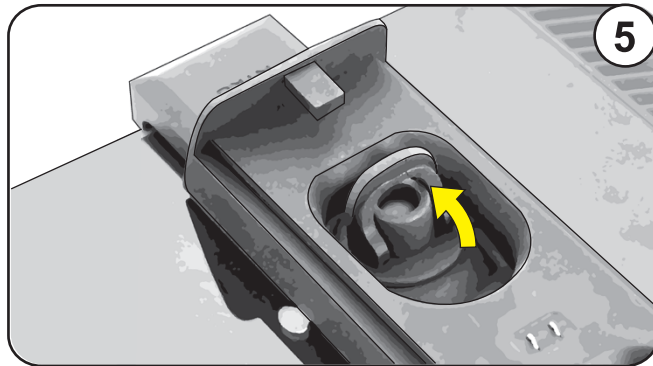
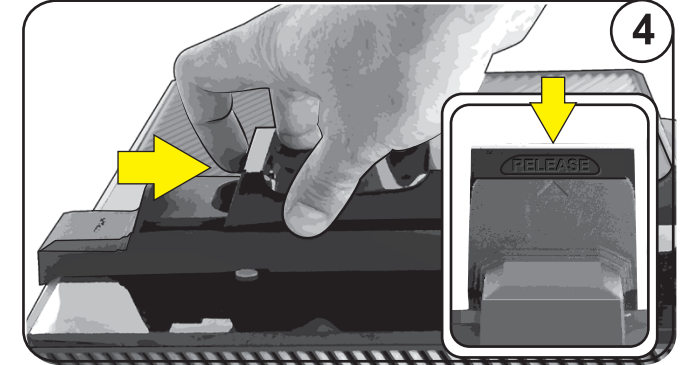
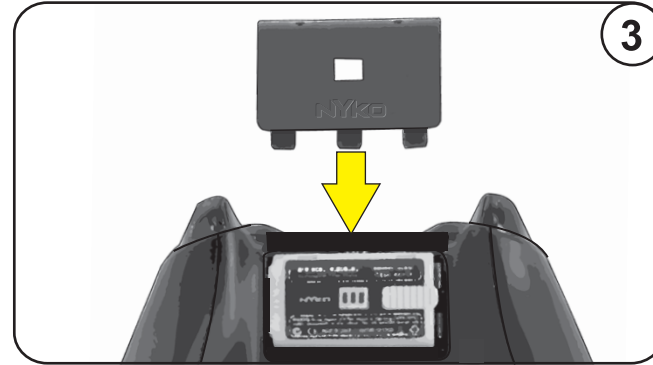
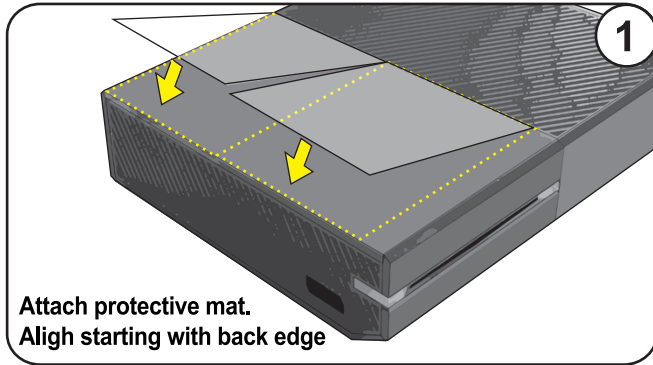


FRONT



MODULAR **NYKO**
Charge Station



XBOX ONE™

tem# 86120

NYKO®

Register this product online • Enregistrer ce produit sur Internet:
Coloque este producto en línea • Produkt online registrieren
Registrazione questo prodotto online • Registratie online:
Registre este producto online em • この製品をオンラインで登録

www.nyko.com

Nyko and Modular Charge Station are registered trademarks of Nyko Technologies, Inc. Microsoft® and Xbox One are either registered trademarks or trademarks of Microsoft® Corporation in the United States and/or other countries. This is a Nyko product and is not endorsed, manufactured or distributed by Microsoft® Corporation.

©2014 Nyko Technologies, Inc. All Rights Reserved.

FRONT