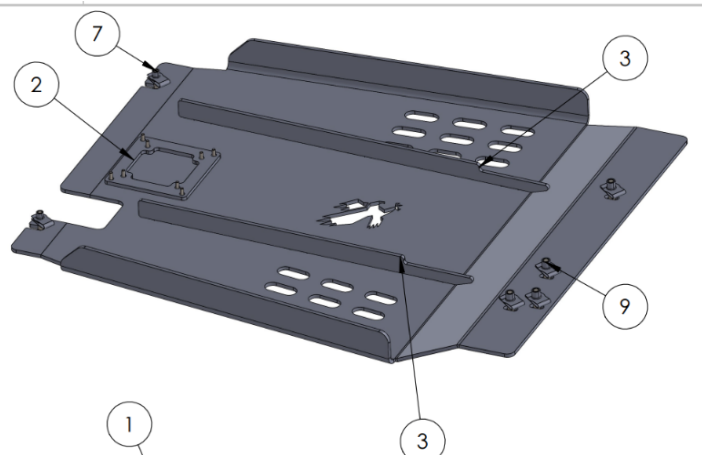
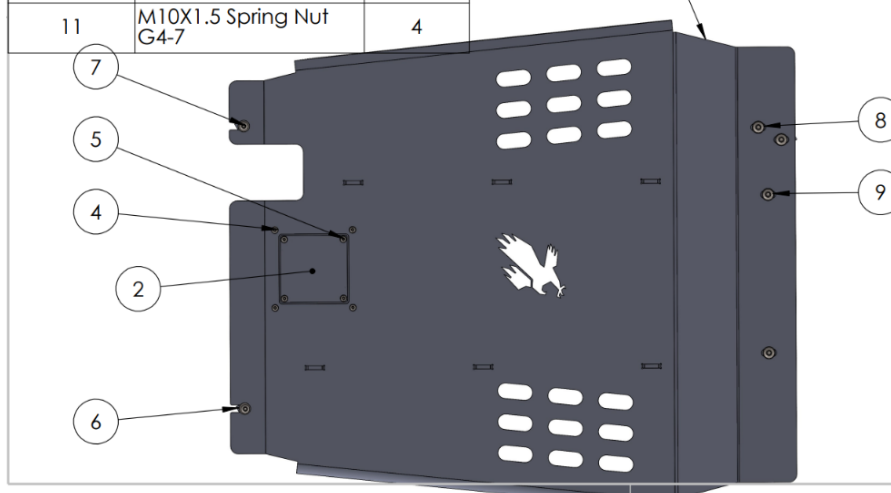


Chevy 1500 Transmission Skid Plate Install Guide

ITEM NO.	PART NUMBER	QTY.
1	C1500 TM Plate A	1
2	16-23 Tacoma Oil drain Door	1
3	C1500 TM RIB A	1
4	M5 Washer	8
5	M5X0.8X25mm Button Head Bolts	8
6	M8 Washer	2
7	M8X1.25X40MM Button Head Bolts	2
8	M10 Washer	4
9	M10X1.5X50MM Button Head Bolt	4
10	M8X1.25 Spring Nut G 1-6mm	2
11	M10X1.5 Spring Nut G4-7	4

Talons Garage

TITLE:
Chevy 1500 Transmission

SIZE	DWG. NO.	REV
A		

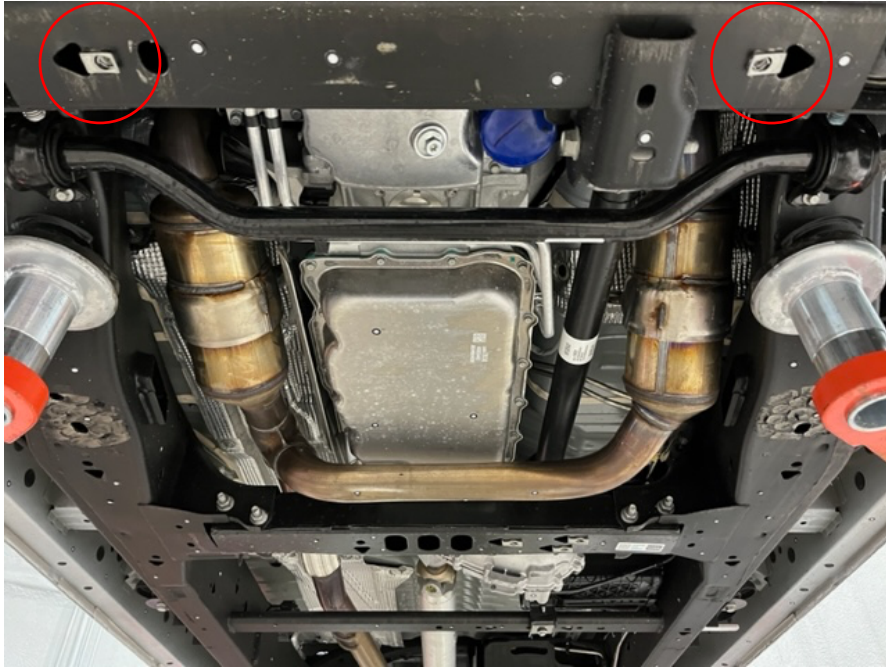
SCALE: 1:12 WEIGHT: SHEET 3 OF 5

Tools Required	
13mm Socket	5MM Allen wrench
15mm Socket	6mm Allen Wrench

Installation is to be done at your own risk. Talons Garage is not responsible for any damage that occurs during or after installation. Professional installation recommended.

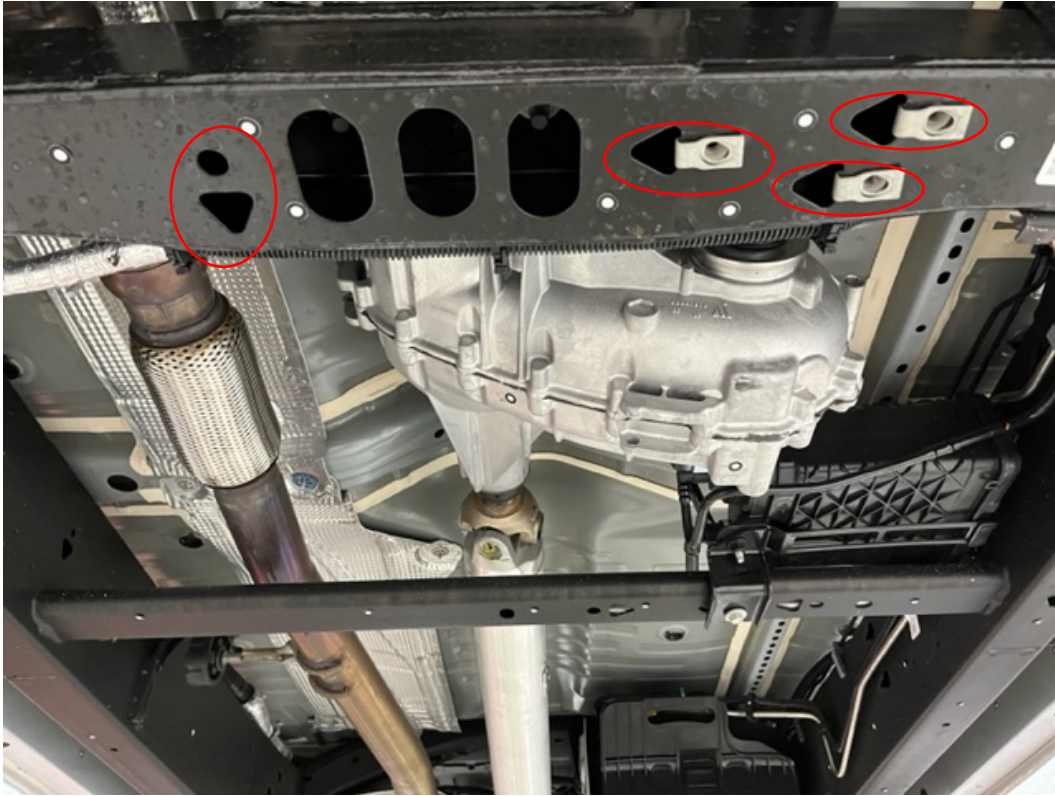
1. If installing with other Talons Garage products, it is recommended to install in this order. Front skid plate, Transmission skid plate, then transfer case skid plate.
2. If OEM transfer case skid plate is installed remove now.

Chevy 1500 Transmission Skid Plate Install Guide



3. If OEM Engine skid plates are installed, you will need to loosen the rear of the engine skid plate. There will be two M8 spring clips. You can replace the factory OEM bolts with the included M8x40mm button head bolts. The transmission skid plate will slide between OEM skid plate and the factory frame.

Chevy 1500 Transmission Skid Plate Install Guide



4. Install included M10x1.5mm spring clip on the hole to the left shown above. At this point you can install the 4 M10x50mm button head bolts into the rear of the transmission skid plate. These will go into the 4 M10 spring clips. If you are installing with a Talons Garage Transfer Case skid plate you will want to install the Transfer case skid at this point with the Transmission Plate. The Transfer case skid will sandwich between the transmission plate and the frame of the truck.

Chevy 1500 Transmission Skid Plate Install Guide



5. Tighten all bolts from front to rear. Enjoy your new protection and don't forget to take a photo to share on your favorite social media platform or forum. We love seeing our products in the wild and it makes our day!

Thank you for your support,

Shaun and Crystal