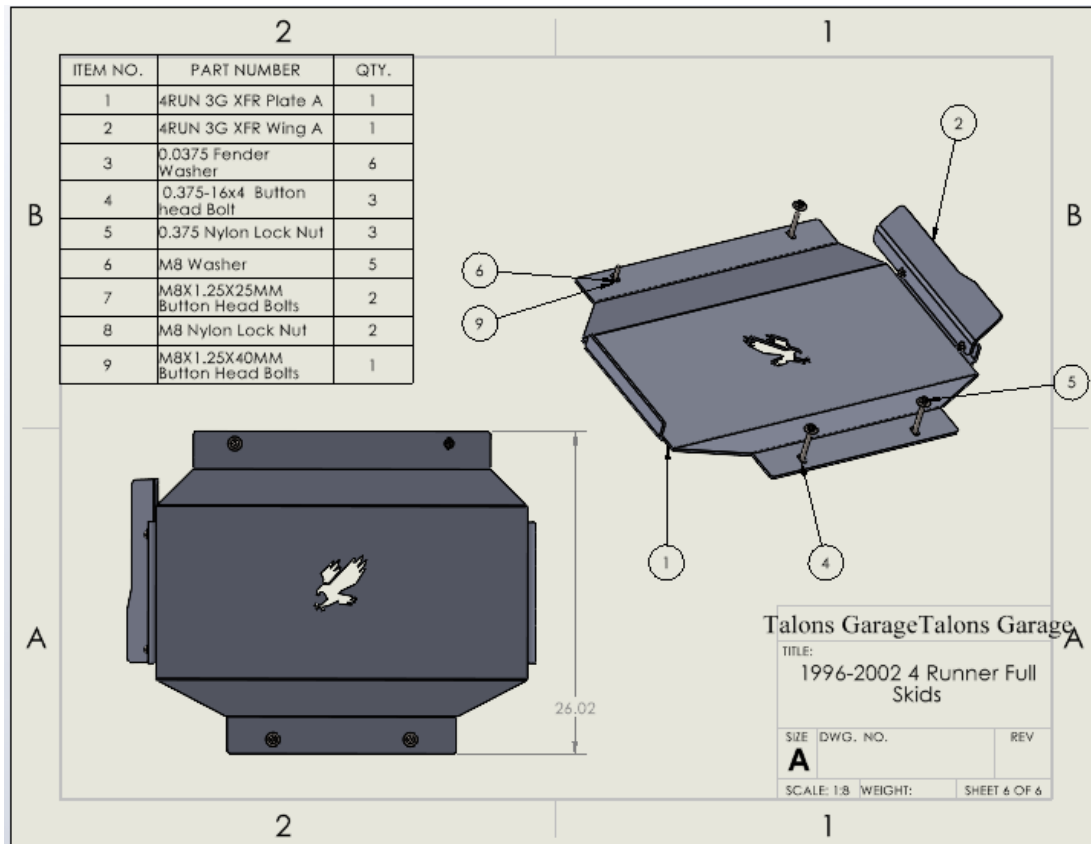


1996-2002 4Runner Transfer Case Skid Plate Install Guide



Tools Required	
5mm Allen bit	7/32 allen bit
12mm wrench	14mm wrench

Installation is to be done at your own risk. Talons Garage is not responsible for any damage that occurs during or after installation. Professional installation recommended. Check for all included hardware and parts before starting install.

We know for a lot of users this might be their first mechanical project. Cool, and great choice! A few notes about button head bolts for those who have not used them before. We recommend using a high quality allen head bit for installing our button head bolts. This will dramatically prevent the chances of stripping the heads. We also strongly discourage the use of impact tools. Ensure the allen bit is seated into the bolt fully before applying torque to the fastener. It is normal to have a tight fit. For the most part our M8 bolts are a 5mm allen bit, our 3/8-16X4" bolts are 7/32 and our M10 bolts are 5.5 or 6mm bits. Use care not to confuse the 7/32 and the 5mm bits as they are close in size.

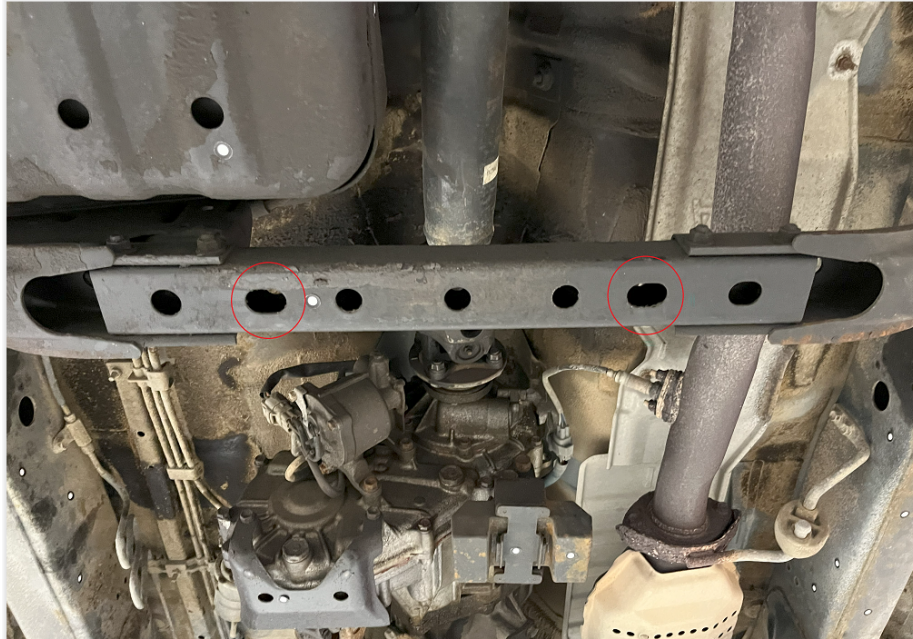
1996-2002 4Runner Transfer Case Skid Plate Install Guide

1. It is assumed that this product is being installed with the rest of our skid plate products. Refer to this guide after installing transmission and front skid plates.
2. Install passenger side winglet to side of transfer case plate using the 2 M8x25mm button head bolts, M8 washers and M8 nylon lock nuts. The bolts will just get to the nylon on the lock nuts, and this is acceptable.



3. At this point of the installation the transmission plate should be supported by the front bolts and have one of the rear bolts installed. You can tighten the front bolts down, and it will help hold the transmission plate in place while you install the transfer case skid. You may require a helper, jack, box, or something to help support the transfer case plate to install. The front of the transfer case plate will go between the transmission plate and the frame. You can let the front of the transfer case plate rest of the transmission plate. At this point you can install the rear transfer case plate bolts into the frame into the holes shown below.

1996-2002 4Runner Transfer Case Skid Plate Install Guide



4. After installing the rear bolts, you will install the front bolts. The passenger side bolt is a M8x40mm that will thread into the nut plate you installed with the transmission skid. The driver side bolt will use the 3/8-16x4" button head bolt installed with the transmission plate. The 3/8" bolt will use a nylon lock nut and the large 3/8" fender washers.
5. Once all bolts are installed, tighten from front to rear. Enjoy your new skid plate! Don't forget to take a photo of your new skid plates and upload them to your favorite social media platform. We love seeing our plates in the wild.

Thank you for your support,

Shaun and Crystal