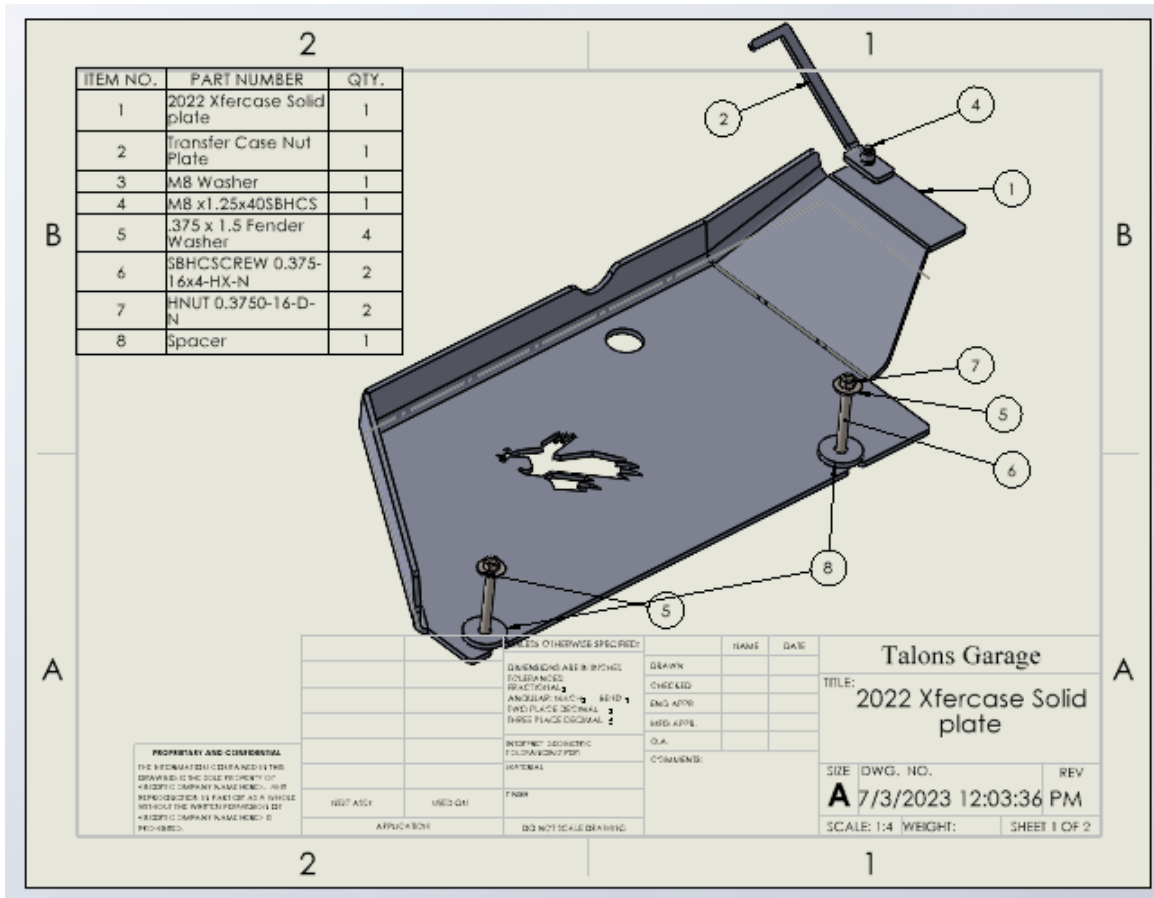


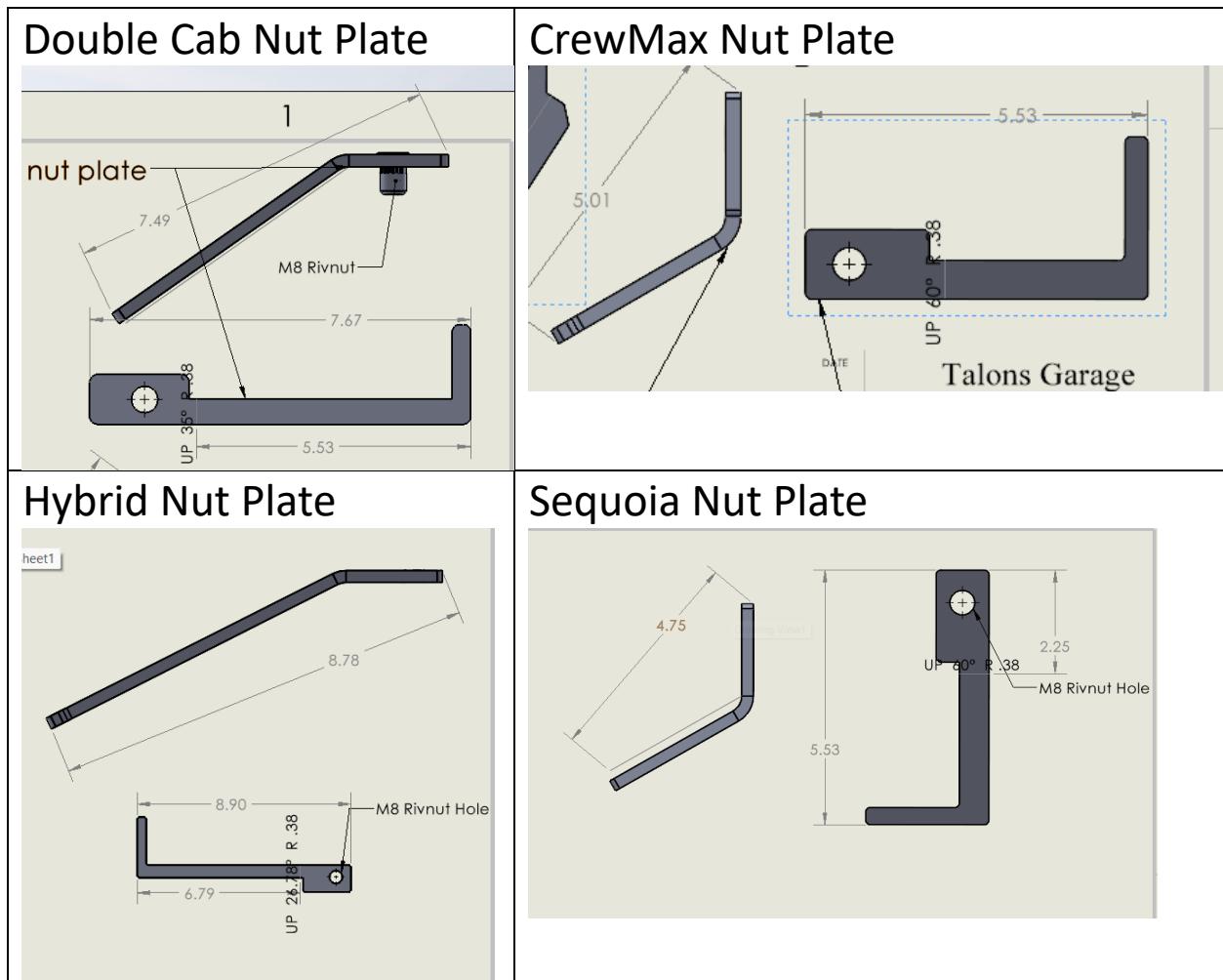
2022+ Tundra Transfer Case Skid Plate Install



Tools	
Flat Head Screwdriver	5mm Allen head wrench or socket
Telescopic magnetic pick up tool	7/32 Allen head wrench or socket
14mm Wrench	

2022+ Tundra Transfer Case Skid Plate Install

Due to variations in frames on various models of the Tundra, there are several Transfer Case Nut Plates. Below is an outline of what nut plate fits what truck.

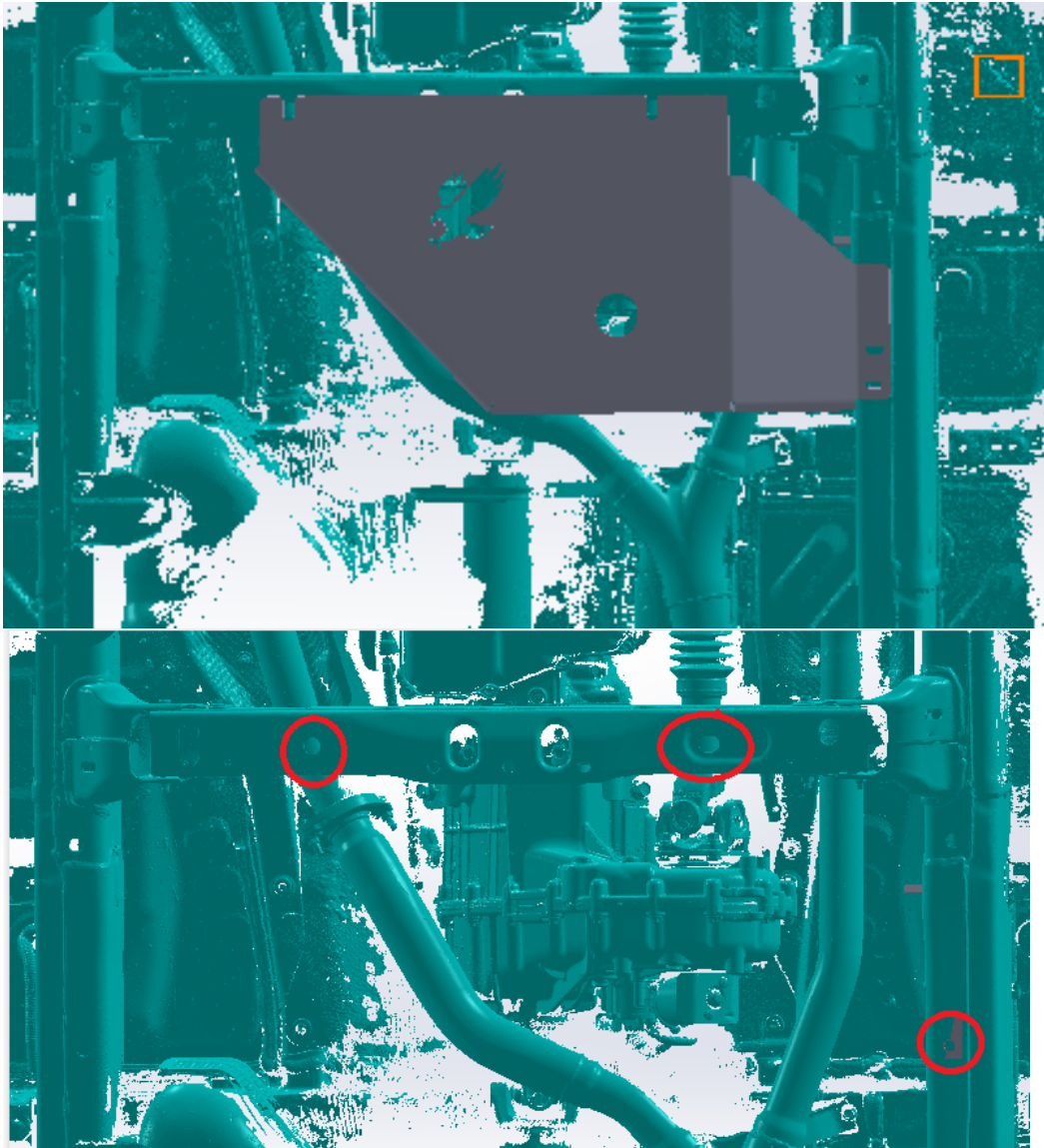




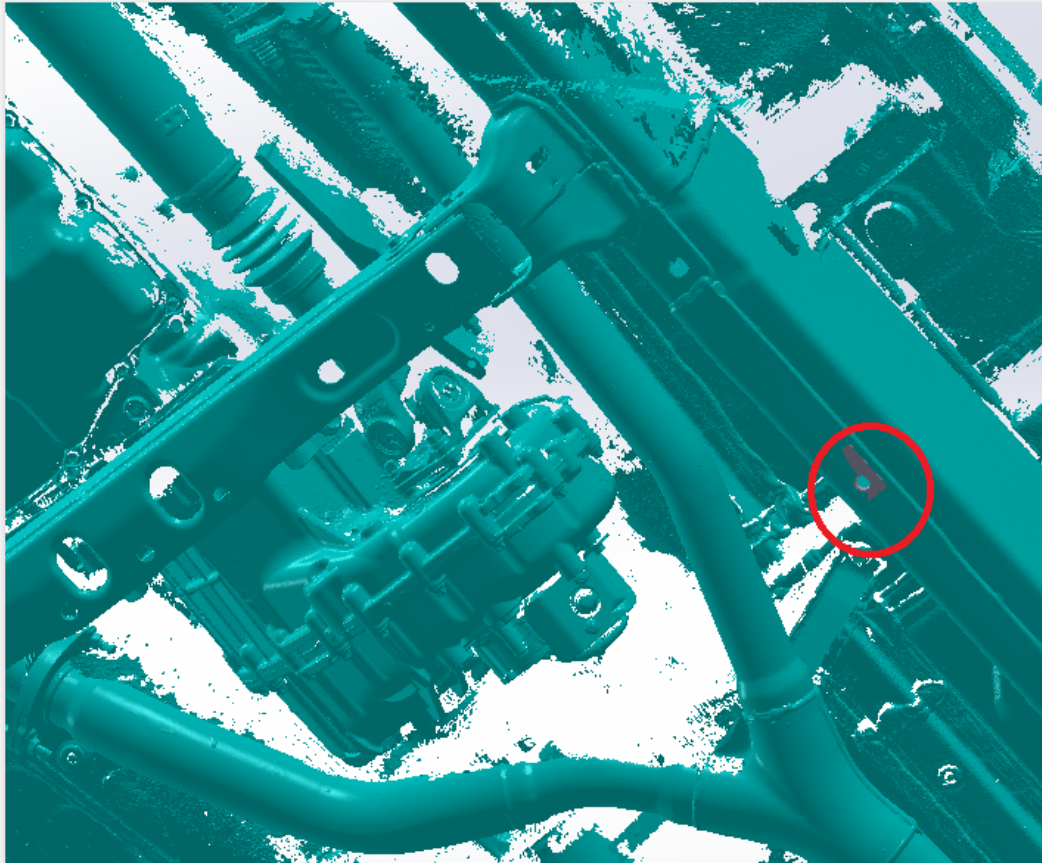
2022+ Tundra Transfer Case Skid Plate Install

1. Check that all parts have arrived, organize tools. Lift truck and support with jack stands. This install guide will assume you are installing this plate with a Talons Garage Transmission skid plate/Cat protector.

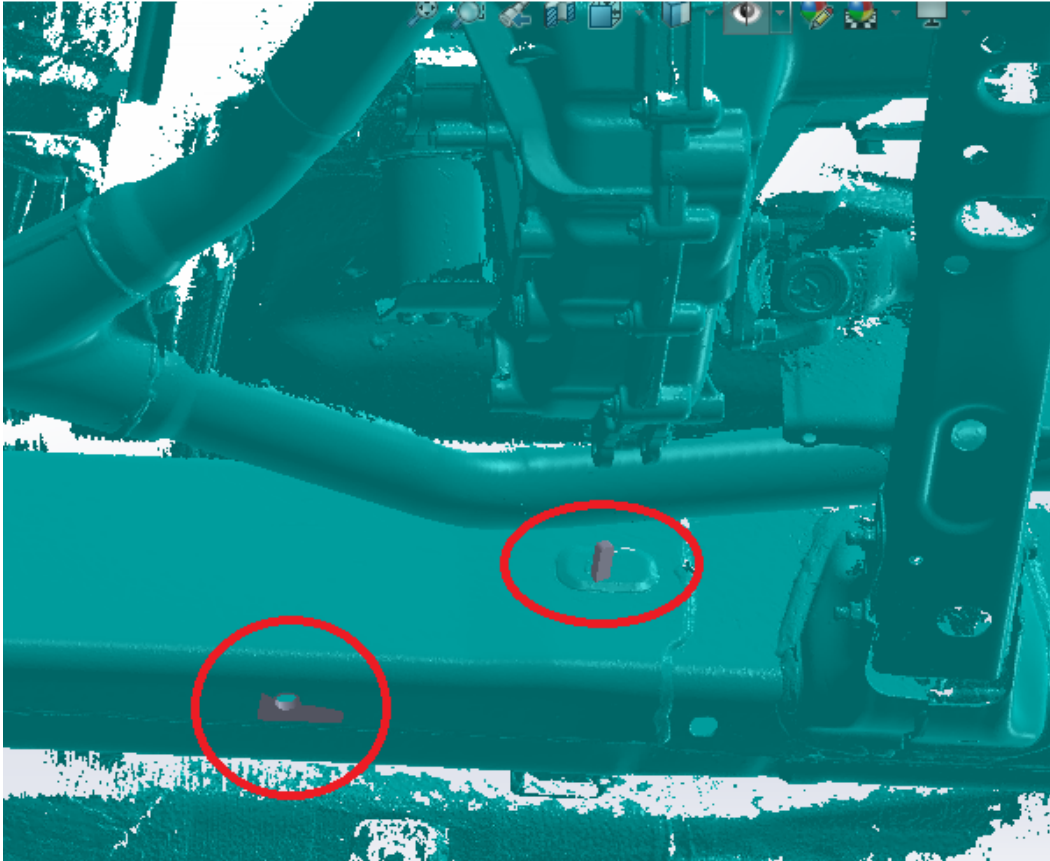
2022+ Tundra Transfer Case Skid Plate Install



2022+ Tundra Transfer Case Skid Plate Install



2022+ Tundra Transfer Case Skid Plate Install



2. Locate square plastic cover on inside of driver side frame rail. Shown above is a Toyota Tundra Hybrid with the Crew Max. Depending on the model you have; your square plug might be in a different location in relation to the transfer case mount hole. It should be intuitive as to where the plastic cover is in relation to the mount hole based on which nut plate matches your truck. Remove the square plastic hole and slide in the Nut Plate. Take care not to

2022+ Tundra Transfer Case Skid Plate Install

lose the nut plate in the frame. If you do drop the nut plate you can use the magnetic pickup too to retrieve the nut plate.



3. If Talons Garage Transmission skid plate is already installed, or you are installing the transfer case skid plate with the transmission plate you will want to remove the rear bolts on the transmission plate and loosen the front ones to allow the rear of the plate to hang down. At this point you will want to locate the two $\frac{1}{4}$ " thick round spacers. These



2022+ Tundra Transfer Case Skid Plate Install

will install on the two 3/8-16mm bolts that go in the rear of the transmission skid plate as shown above. Install the spacers on the loosely installed bolts as shown above. The Transfer Case Skid plate will slide in between the spacers (above) and the transmission plate (Below). The final installed order from the ground to the top of the truck will be as follows. **3/8-16-4" bolt >>> 1.5" Fender Washer >>> Transmission Skid Plate >> >Transfer Case Skid Plate >>> Round spacer >>> Truck Frame/Transfer case cross member >>> 1.5" fender washer >>> 3/8-16 Nylon lock bolt.**

4. Once Spacers are installed the transfer case skid plate can be inserted. Once again, the spacers will rest between the transfer case plate and the frame, and the transmission plate will go below the transfer case plate. Please see final installed order listed above. You may need to lift the spacer up to get the transfer case plate in. This takes a little practice but can be done. I personally do it one side at a time. Once the plate is in, you may be able to let the transfer case plate hang there, but use Extreme caution as it can fall out, at which point it will always land directly on your face. Please don't ask why I know this.

2022+ Tundra Transfer Case Skid Plate Install



5. Gather the M8 1.25x40mm Button head bolt and washer. This will install in the transfer case plate in the hole on the driver side frame, and screw into the nut plate inside of the frame. The nut plate has a small tab to allow you to locate it into position. The technique I used is to carefully move the nut plate in position over the hole. At this point I can let the nut plate rest inside the frame while I get the M8 bolt started. It helps to put the bolt on the end of the M5 Allen head wrench, and gently guide it into place while slowly rotating to start the threads.

2022+ Tundra Transfer Case Skid Plate Install



6. After getting the M8 bolt started, you can tighten all the bolts. Use 10 Ft Pound of torque on all the bolts. The nuts on the back end of the transmission plate/Front of transfer case plate can be accessed from the rear side of the truck. Shown above is how I accessed the nuts. I used a open ended wrench and reached up into the area between the



2022+ Tundra Transfer Case Skid Plate Install

transfer case cross member and the transfer case skid plate frame mount. The passenger side bolt is much more accessible.

7. Take pictures and tag us on Facebook, Instagram, or your favorite forum! We love seeing our installed products and it will make our day!