

A

Angle

Our line of angles provides a way to make a wide range of 90° connections.

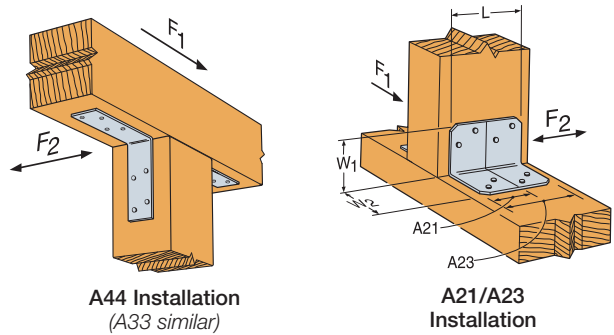
Material: A21 and A23 — 18 ga.;
all other A angles — 12 ga.

Finish: Galvanized. Some products available in stainless steel or ZMAX® coating. See Corrosion Information, pp. 12–15.

Installation:

- Use all specified fasteners; see General Notes

Codes: See p. 11 for Code Reference Key Chart



These products are available with additional corrosion protection. For more information, see p. 14.

SD Many of these products are approved for installation with Strong-Drive® SD Connector screws. See pp. 348–352 for more information.

Model No.	Dimensions (in.)			Fasteners (in.)				Allowable Loads DF/SP		Code Ref.
	W ₁	W ₂	L	Base		Post		(160)		
				Bolts	Nails	Bolts	Nails	F ₁ ³	F ₂	
A21	2	1½	1¾	—	(2) 0.148 x 1½	—	(2) 0.148 x 1½	330	150	IBC, FL, LA
A23	2	1½	2¾	—	(4) 0.148 x 1½	—	(4) 0.148 x 1½	680	535	
A33	3	3	1½	—	(4) 0.148 x 3	—	(4) 0.148 x 3	765	340	
A44	4⅞	4⅞	1½	—	(4) 0.148 x 3	—	(4) 0.148 x 3	775	290	
A66	5⅞	5⅞	1½	(2) ⅝	(3) 0.148 x 3	(2) ⅝	(3) 0.148 x 3	—	—	—
A88	8	8	2	(3) ⅝	(4) 0.148 x 3	(3) ⅝	(4) 0.148 x 3	—	—	
A24	3⅞	2	2½	(1) ½	—	(1) ½	(2) 0.148 x 3	—	—	
A311	11	3⅞	2	(1) ½	—	(1) ½	(4) 0.148 x 3	—	—	

1. See pp. 266–267 for Straps and Ties General Notes.
2. For SPF/HF lumber, use 0.86 x DF/SP allowable loads.
3. Connectors are required on both sides to achieve F₁ loads in both directions.
4. **Fasteners:** Nail dimensions are listed diameter by length. See pp. 21–22 for fastener information.

