

Φ16mm Aperture Split core current transformer



Characteristic

- Safety lock clasp, easy to install
- Audio connector output
- Lead output, length can be customized
- Mounted mounting

Product application

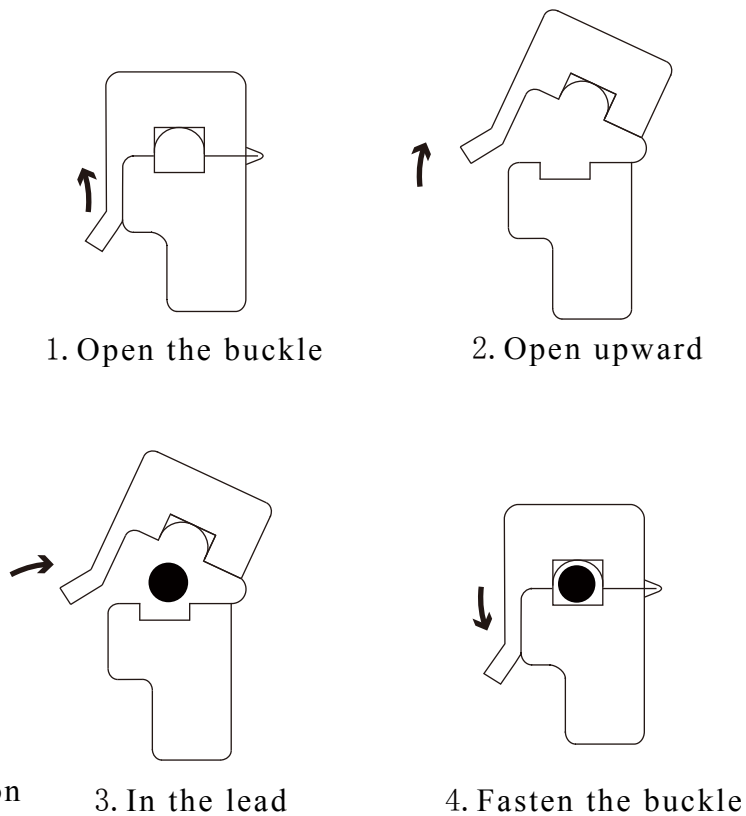
- Portable instrument
- Household metering
- Monitor motor load

Product advantage

- Small in size and light in weight
- Low cost
- High number of turns, high precision

Installation diagram

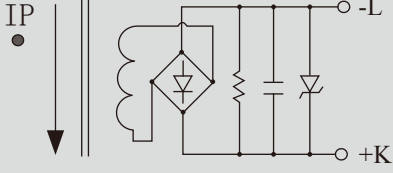
Primary threading method



Typical technical index :

- Material of core——Ferrite
- Working voltage——Phase voltage \leq 720V
- Working temperature——-25℃ ~ +60℃
- Storage temperature——-30℃ ~ +90℃
- Frequency range——50Hz ~ 1KHz
- Dielectric strength——Input (bare conductor) /output AC 3.5KV/1min 5mA 50Hz
Output/Outer shell AC 3.5KV/1min 5mA 50Hz
- Weight--50g

Electrical parameters: (The following parameters are typical values and actual values will be subject to product testing)

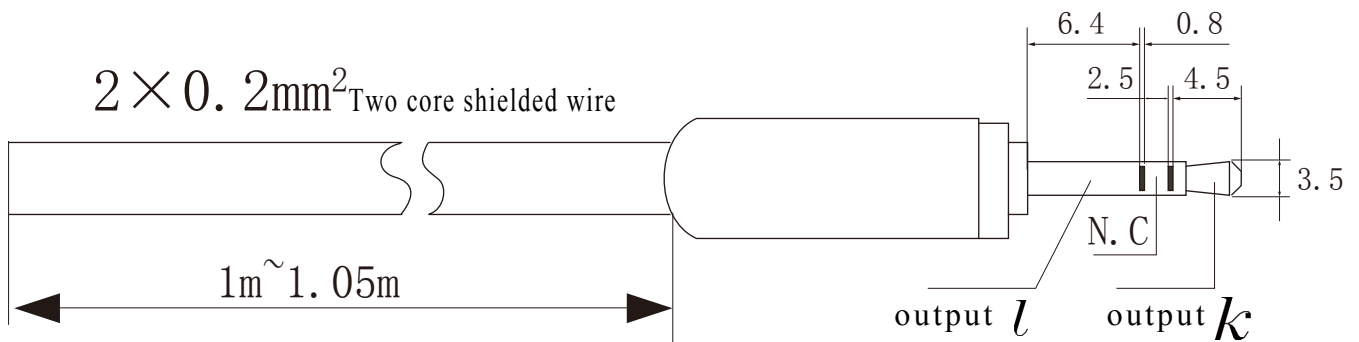
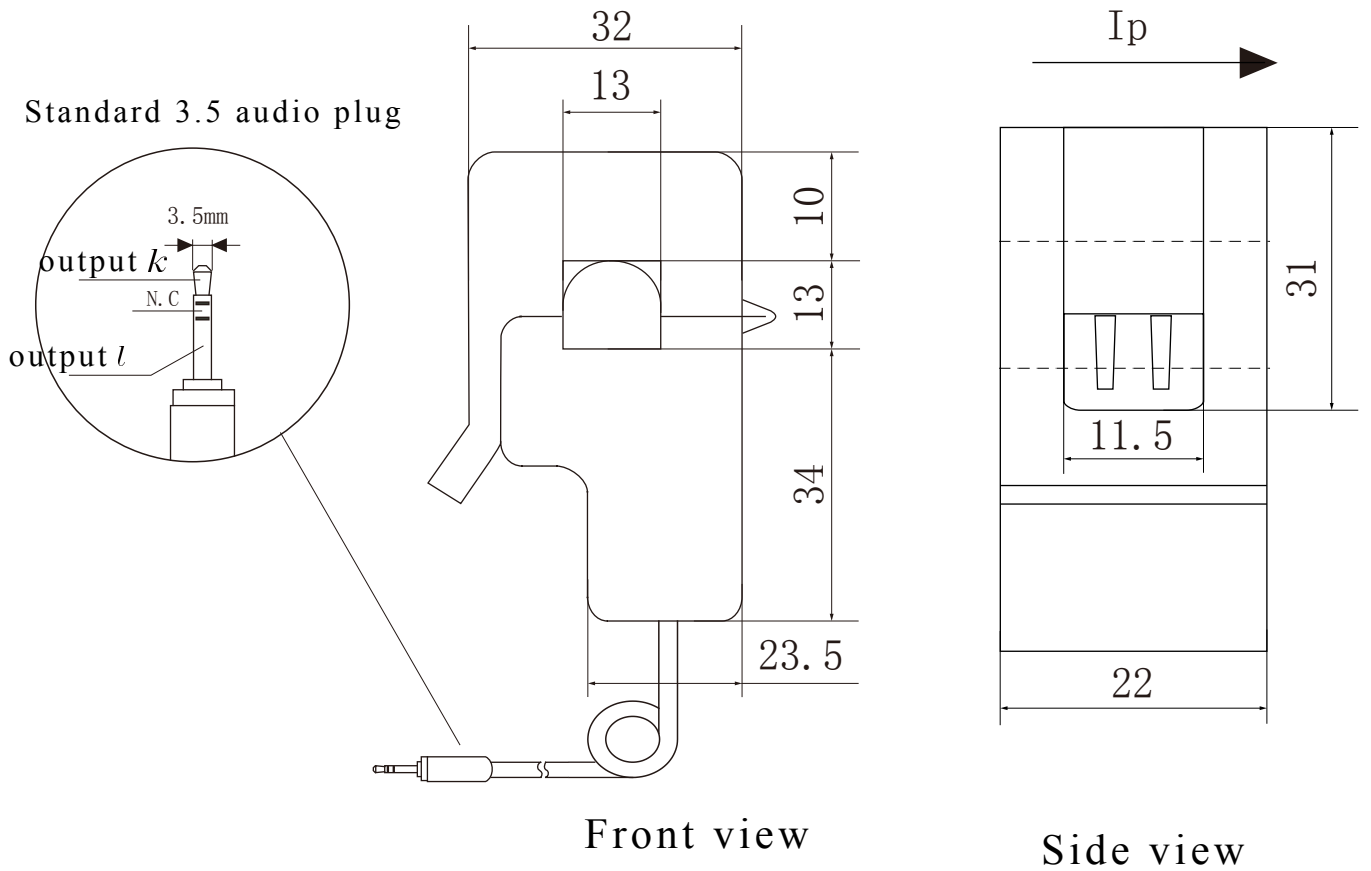
Model	Input current	Output voltage	Accuracy	Load impedance	Lead specification/schematic diagram
SCT013G-D	5A	1V DC	2%	$\geq 10K \Omega$	<p>Leading wire specification 2x0.2mm² Two-core shielded wire</p> <p>Lead length: 100cm~105cm</p>  <p>Voltage output type Secondary doesn't allow short circuit</p>
SCT013G-D	10A	1V DC	2%	$\geq 10K \Omega$	
SCT013G-D	15A	1V DC	2%	$\geq 10K \Omega$	
SCT013G-D	20A	1V DC	2%	$\geq 10K \Omega$	
SCT013G-D	25A	1V DC	2%	$\geq 10K \Omega$	
SCT013G-D	30A	1V DC	2%	$\geq 10K \Omega$	
SCT013G-D	50A	1V DC	2%	$\geq 10K \Omega$	
SCT013G-D	60A	1V DC	2%	$\geq 10K \Omega$	
SCT013G-D	100A	1V DC	2%	$\geq 10K \Omega$	

The statement:

As our products are constantly being improved and updated, we reserve the right to modify the content of this specification at any time

The right to give notice.

Outline size: (in:mm±0.5):



Standard $\Phi 3.5\text{mm}$ 3P three-core plug diagram

