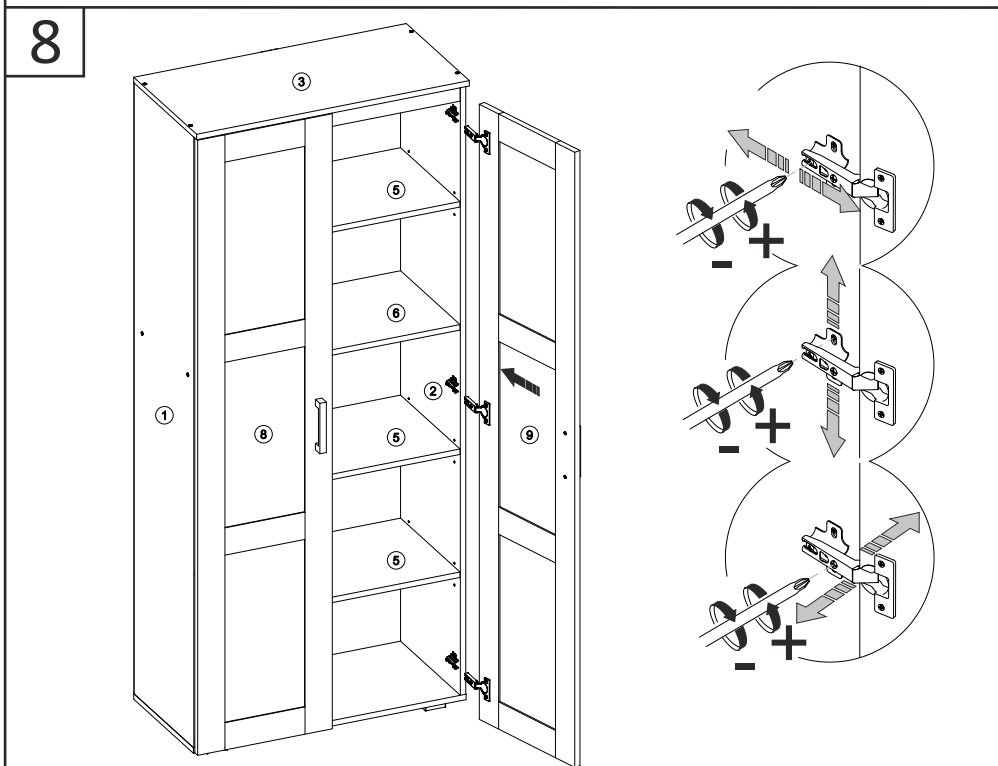
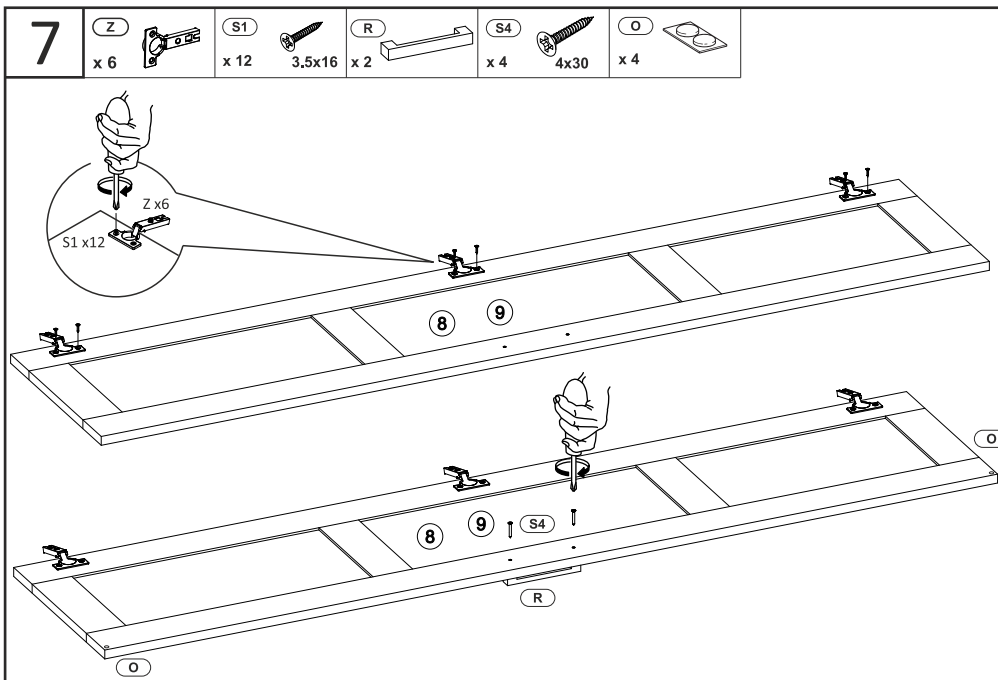
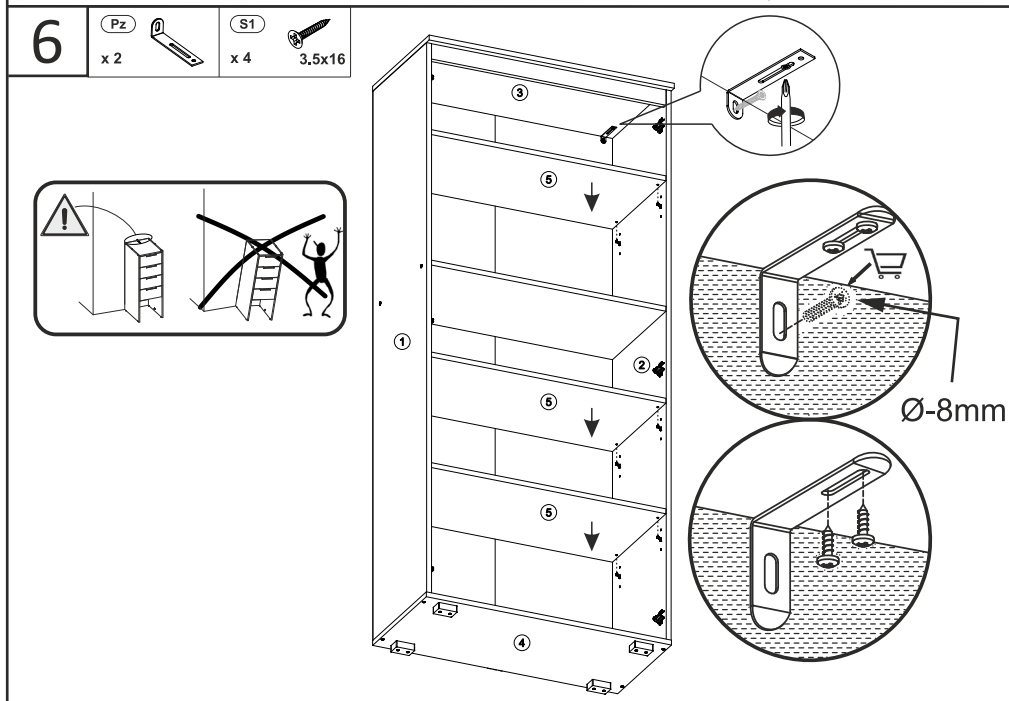
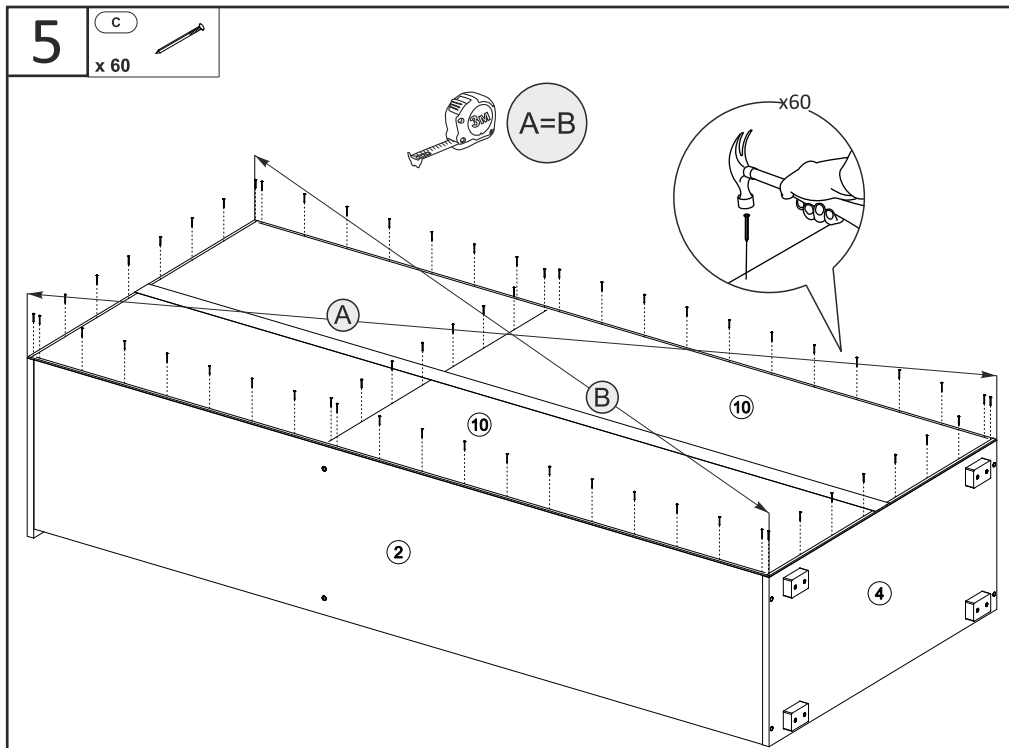













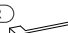




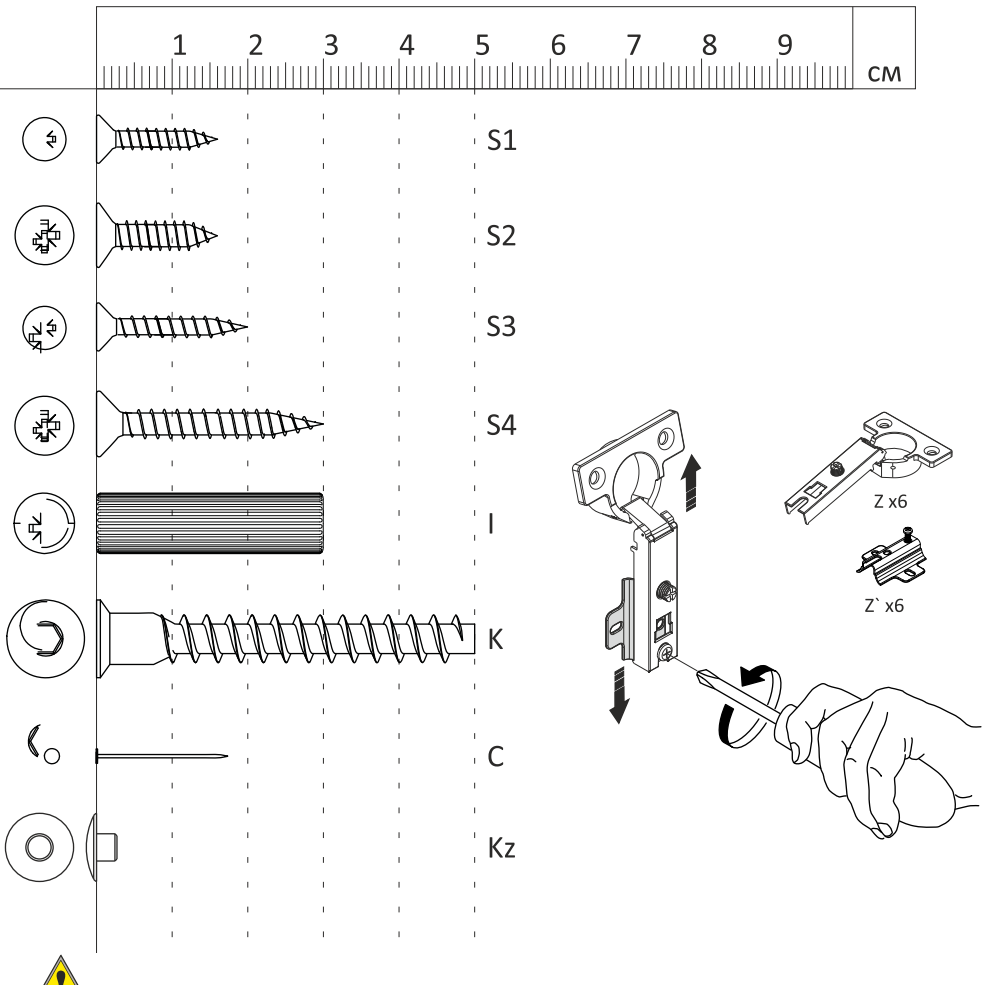
○ 1		x 1	1793 mm	376 mm	16 mm
○ 2		x 1	1793 mm	376 mm	16 mm
○ 3		x 1	800 mm	396 mm	16 mm
○ 4		x 1	800 mm	376 mm	16 mm
○ 5		x 3	766 mm	374 mm	16 mm
○ 6		x 1	766 mm	374 mm	16 mm
○ 7		x 1	766 mm	50 mm	16 mm
○ 8		x 1	1805 mm	395 mm	18 mm
○ 9		x 1	1805 mm	395 mm	18 mm
○ 10		x 2	1823 mm	398 mm	3 mm





K x 12	 6,4x50	I x 16	 8x30	S1 x 16	 3,5x16	S2 x 12	 4x16	S3 x 6	 3,5x20	S4 x 12	 4x30	Z x 6		Z' x 6	
Kz x 8		C x 60	 1,6x20	Pz x 2		O x 4		KK x 1		R x 2		J x 12			
N x 4															

Installation Mounting Guide



⚠

THIS PRODUCT SHOULD BE PERMANENTLY ANCHORED TO THE WALL OR OTHER SUITABLE SURFACE TO AVOID SERIOUS INJURY OR DEATH.

TO HELP AVOID ANY SERIOUS INJURY OR DEATH, THIS PRODUCT INCLUDES AN L BRACKET TO PREVENT TOPPLING. WE STRONGLY RECOMMEND THAT THIS PRODUCT BE PERMANENTLY FIXED TO THE WALL OR OTHER SUITABLE SURFACE. FIXING HARDWARE IS NOT INCLUDED SINCE DIFFERENT SURFACE MATERIALS REQUIRE DIFFERENT ATTACHMENTS. PLEASE SEEK PROFESSIONAL ADVICE IF YOU ARE IN DOUBT WHAT FIXING HARDWARE TO USE. REGULARLY CHECK YOUR FIXING DEVICE.

