

WEIGHT CLASS
6 TONNE
| TB257FR |



SHORT SWING EXCAVATOR

TAKEUCHI
Japanese for Reliability

New TB257FR Full Radius Short Tail Swing Excavator

The new TB257FR features a unique patented side-to-side (STS) offset boom coupled with the near zero tail swing for unrivalled versatility and visibility on site.

The unique FR design provides for parallel trenching right next to walls and buildings. A floor mounted pedal allows you to position the STS offset boom anywhere across the front of the machine without any reduction in dig depth or ground reach. For operators, the STS offset boom moves into position, no more moving the whole machine for improved excavating angles, simply let the STS offset do all the work.

The STS offset combined with the near zero tail swing delivers the most versatile compact machine for site. The only excavator with the ability to fully retract the boom and fully loaded digging bucket then fully rotate 360°, while only exceeding the track by 18cm. (Digging bucket up to 630mm).

The TB257FR has a low centre of gravity and optimized counterweight creating an extremely stable platform with lifting capabilities similar to that of a conventional machine.

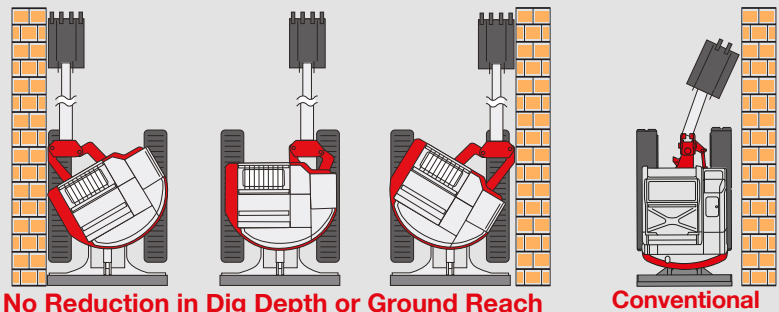
HEAVY-DUTY OFFSET

The heavy-duty STS offset boom is engineered for robust operating. The oversized slew bearing and ring gear combines with heavy-duty steel boom bracket bushes, for maximum longevity. Designed for durability, easy lubrication and maintenance.



SIDE-TO-SIDE STS BOOM

- EXCAVATES WALL-SIDE BOTH LEFT & RIGHT
- NO REDUCTION IN DIG DEPTH
- NO REDUCTION IN GROUND REACH
- SIMPLY REPOSITION THE BOOM BRACKET ACROSS THE FRONT RADIUS



OPERATOR COMFORT

The operator will appreciate the spacious, well-appointed cab that is similar in size to the 8t class model. The stylish cab features include air con as standard, deluxe high back seat and adjustable arm rests. Complete with a large multi-function monitor panel and rocker switches that control a wide range of functions.

The large multi-function display highlights real time machine health and vitals.

Smooth pilot control - short stroke joysticks are low effort and very precise for smooth all day operating.

Electronic throttle control combined with auto deceleration and eco-mode provides maximum fuel efficiency and reduced carbon footprint. The two-speed tracking automatically steps down when dozing.

Led work light package ensures excellent visibility in low light conditions.

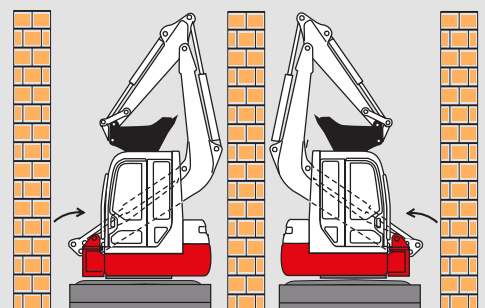
The heavy-duty dozer with float blade versatility adds to grading functionality.

STAGE V ✓
READY



WORKS IN TIGHT SPACES

- FULLY RETRACTS THE BOOM WITH A FULL LOAD USING A DIGGING BUCKET UP TO 630mm
- EXCEEDS TRACKS BY ONLY 18cm
- NO NEED TO MOVE THE MACHINE





PERFORMANCE

- Stage v low emission engine - Kubota V2403-CR-TE5B turbocharges engine provides 32% more engine output than its predecessor.
- Automotive styled electronic dial type throttle control with automatic engine idle.
- Automatic fuel priming system.
- Open centre 4-pump hydraulic system for smooth precise operating.

OPERATING

- Excellent ground reach and digging depth with long arm.
- Boom and arm check valves come as standard, with audible and visible lift alarm for added on-site safety.
- Working Modes - Standard, ECO, and High Altitude.

DURABILITY

- All round steel service hoods with heavy-duty hinges and locks. Undercarriage built with heavy-duty gauge steel design.
- Cushioned boom, arm and swing cylinders for improved longevity of cylinders and smooth operation.
- Sloped design on track frame for easy clean and reduced debris retention, along with guard protected hydraulic track tensioning.
- Large steel guard on the dozer lift cylinder, with heavy-duty ground level steel wrapped hydraulic lines well protected in wet ground conditions.

ATTACHMENT READY

The TB257FR comes ready installed with steel hydraulic hitch pipe work and electrics, with matching TB250-2 pin and link dimensions, so all attachments are interchangeable.

Convenient 1st and 2nd auxiliary circuits and quick hitch circuit are plumbed to the mid-arm. The dual flow hydraulic lines are operated by variable sliders on both levers, for smooth control of variable flow and detent to accommodate a range of attachments.

Operators use the in-cab touch screen control to adjust the 1st auxiliary flow and can customize all the Preset Flow Settings from the comfort of the cab.

NEAR ZERO TAIL SWING

The unique FR design is what sets the TB257FR apart from conventional machines.

The compact near-zero tail only extends 18 centimetres beyond the track. It gets the TB257FR into spaces other conventional excavators cannot operate.



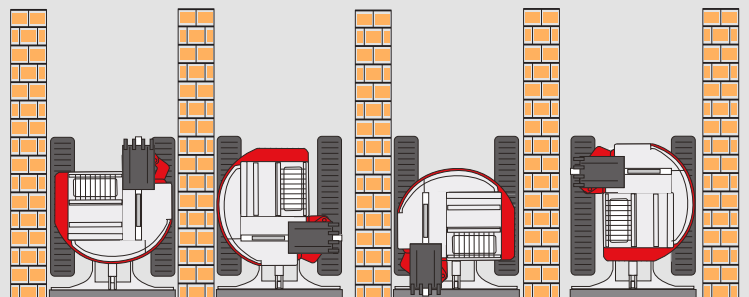
HEAVY-DUTY TRACKS

Triple flange rollers support the track in multi positions improving the track and stability. The upper roller maintains track alignment and helps shed debris.

High torque and the auto step-down motor deliver on-demand tracking power when dozing and climbing.

360° FUNCTIONALITY

- MORE VERSATILE THAN A FIXED BOOM
- THE ONLY 6-TONNE EXCAVATOR THAT CAN DIG IN-FRONT AND LOAD BEHIND IN A CONFINED SPACE
- ROTATES 360°, ONLY EXCEEDS TRACKS BY 18cm





SERVICEABILITY

Maintenance and serviceability enhanced with quick access forward tilting cab design and for easier access to the engine for daily maintenance checks and service.

Rear full width service engine hood, lockable and hinged overhead for quick ground level maintenance (oil fill and filler points, fuel and pilot line filter).

The right side service door swings out for maximum access to side-by-side cooling units and access to battery and air filters.

The lower right locking door reveals an integrated fuel transfer pump with auto shutoff, with suction hose and strainer filter with integrated run-back valve for faster on-site fuelling.

The upper right side service door provides access to the hydraulic filter and fill points and the breaker flow-tap.

EASY MAINTENANCE

Maintenance and serviceability a key feature of a TB257FR.

Unique easy tilting cab with minimal effort, gives enhanced service access

The rear engine components, control valve, piping, swivel joint and slew motor all exceptionally accessible.



TFM - TAKEUCHI FLEET MANAGEMENT

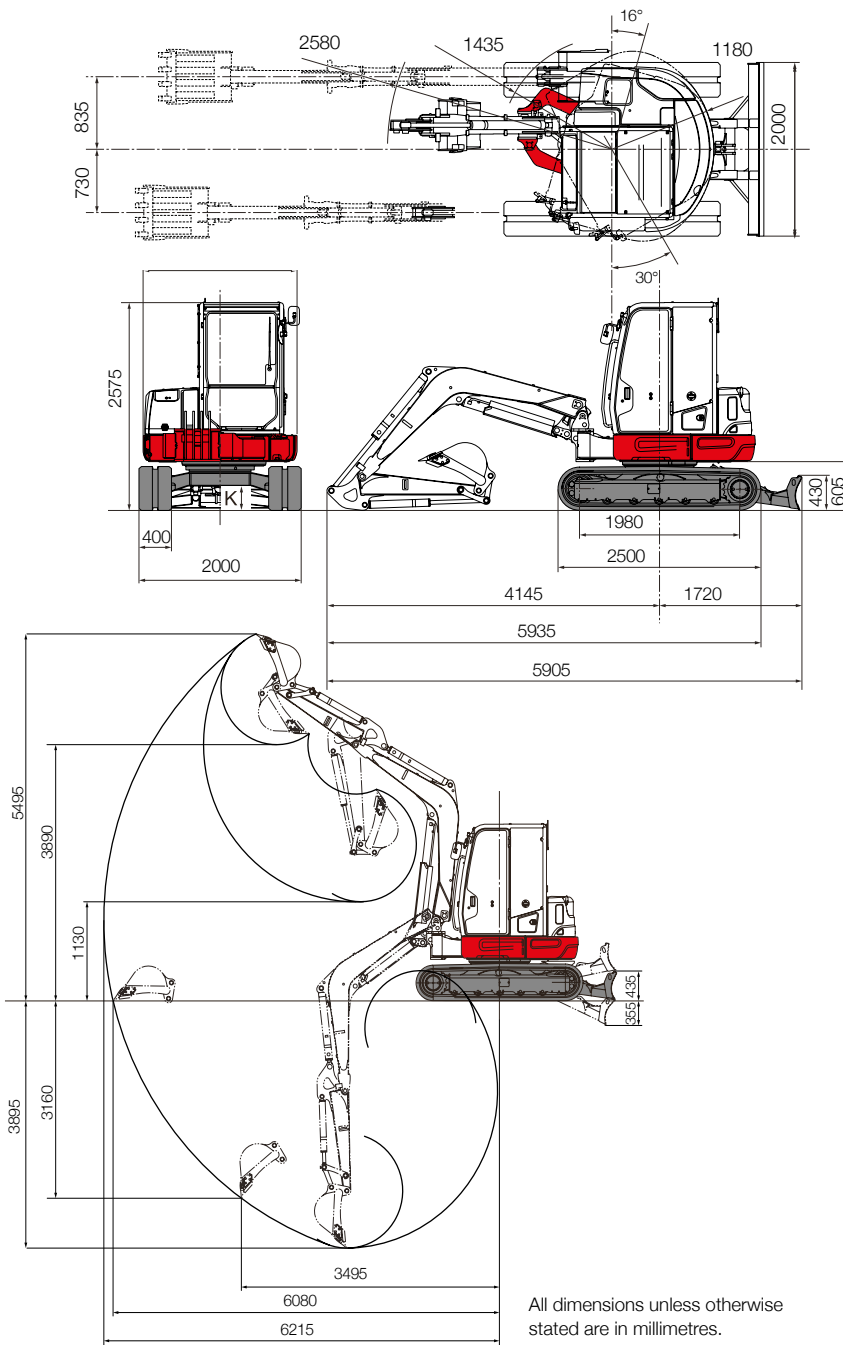
Takeuchi Fleet Management is designed to help you better manage your fleet and lower your overall operating costs.



PROTECT YOUR INVESTMENT

The TB257FR comes with the TSS Takeuchi Security System as standard.





All dimensions unless otherwise stated are in millimetres.

For more information locally

call us direct, or contact:



Takeuchi Mfg (UK) Ltd, Unit E2B Kingsway Business Park,
John Boyd Dunlop Drive, Rochdale, Lancashire OL16 4NG
Tel: 01706 657 722 Fax: 01706 657 744

Southern Depot at 20 Colthrop Business Park
Colthrop Lane, Thatcham, Newbury, Berks RG19 4NB
Tel: 01635 877 196 Fax: 01635 877 195

www.takeuchi-mfg.co.uk Email: sales@takeuchi-mfg.co.uk

**2 YEAR
2,000 HOUR
WARRANTY***

TB257FR Stage V

Standard UK Specification Long Arm.

Engine	
Make	KUBOTA
Model	V2403-CR-TE5B
Rated Output (kW)	39.0 / 2200
Cylinders	4
Maximum Torque (Nm)	195.6
Displacement (cc)	2434
Electrical System	12volt / 90amp

Dimensions & Weight	
Op. Weight kg (bucket, hitch, fuel)	6061
Length (Transporting) (mm)	5395
Width (mm)	2000
Height (mm)	2575
Ground Clearance (mm)	300
Front Swing Radius (mm)	1435
Slew Radius (mm)	1180
Dozer Blade (W x H) (mm)	2000 x 430

Operating Information	
Max Digging Depth (mm)	3895
Max Dump Height (mm)	3890
Max Reach at Ground Level (mm)	6080
Max Vertical Dig Depth (mm)	3160
Max Bucket Digging Force (kN)	36.6
Max Arm Digging Force (kN)	23.1

Hydraulic System	
Set Pressure (bar)	240
Pump Type	Variable x 2 + Gear x 2
1st Auxiliary Maximum Flow (l/min) / Pressure (bar)	105/206
2nd Auxiliary Maximum Flow (l/min) / Pressure (bar)	44.7/206

Swing System	
Boom Swing Angle (L/R)	30°/16°
Slew Speed (rpm)	9.6
Slew Motor	Axial Piston
Slew Brake	Wet Friction Plates

Undercarriage	
Traction Motor	Axial Piston
Traction Drive	Planetary
Traction Brake	Disc
Track Width (mm)	400
Ground Contact Length (mm)	1980
Ground Pressure (kpa)	33.1
Travel Speed (k/ph)	2.6-4.8
Maximum Gradeability	30°

Capacities	
Hydraulic System (l)	100
Fuel Tank (l)	70.2
Engine Lubrication (l)	9.5
Cooling System (l)	10

01/2021

*Lifting; the mass weight of slings / hitches / bucket to be deducted from the rated load to determine the net load that may be lifted.

Takeuchi machines come with a 2 year/2000 hours warranty as standard. Warranty exceptions to 1 year: fuel injection systems, electrical components, paint work and *emission control items. (*applicable models). Before fitment of a hydraulic attachment, machine auxiliary pressure and flow should be accurately measured.

In accordance with our established policy of constant improvement, we reserve the right to amend these specifications at any time without notice.

Photographs shown may feature non-standard equipment.

TAKEUCHI
Japanese for Reliability