

WEIGHT CLASS
2.5 TONNE
| TB225 |



COMPACT EXCAVATOR

TAKEUCHI
Japanese for Reliability

The New Takeuchi 2.5 tonne TB225 maximum towable power

The new TB225 mini excavator offers maximum excavating performance in a road towable weight class.

Weighing in at just 2.5 tonnes Takeuchi's latest model comfortably meets the requirements of legal towing on UK and Ireland road networks, with room for additional attachments, tools and materials.

The TB225 comes with a massive 16.5kW engine, very powerful for a 2.5 weight class excavator, providing the added digging power required for the toughest groundworks.

OPERATING PARAMETERS

The TB225 features the long-arm as standard providing outstanding breakoutforce: bucket 19.3kN and arm 12.8kN.

With dig depth to 2580mm, ground reach to 4250mm and dump height to 2875mm the new TB225 outperforms for a 2.5-tonne mini.

With enhanced power and hydraulics the TB225 is compatible for larger TB23R or TB230 attachments.



MAXIMUM ACCESSIBILITY

The TB225 offers a unique extendable track frame - reduces down to just 1100mm from maximum 1500mm width, getting into the most limited working spaces.

The in-cab independent controls extend and reduce track widths and the dozer adjusts to width with a quick and easy pin-lock system.

For access where a top lift is required; the TB225 has built-in dedicated lift points for a safe 3-point-lift positioned at the top of cab, on the boom and dozer.





With a reputation for reliability, Japanese build quality makes all the difference.



POWERFUL PERFORMANCE

The new TB225 provides a very powerful performance with a 16.5kW/2200 engine to provide the high levels of productivity.

With one auxiliary port as standard with 3 preset options (0-38.5 litres) and a quick in-cab switch setting for easy attachment changeover.

2nd and 3rd auxiliary available as a factory fitted option.

With check valves on both the boom and dipper, safe lifting is assured.



TRAILER TOWABLE

Weighing in at just 2241kg canopy and 2376kg cab inclusive of both a hitch and bucket - the TB225 provides the most powerful yet portable mini digger.

With 4 dedicated tie-down anchor points the safest possible transporting is assured

When combined with a trailer, spare buckets, tools and materials, safe compliant road towing within the 3.5-tonne regulations is guaranteed.



PERFORMANCE

- Longer than average track frame and extendable tracks give maximum stability when digging or lifting.
- Simultaneous operation of both swing and dig functions for maximum productivity.
- 2 speed tracking offers fast cycle times on site. Auto-idle to save fuel.
- Auxiliary hoses are easy to attach and well positioned high on the dipper arm where less vulnerable to damage.

OPERATION

- Maximum offset functionality both right and left (left 75 and right 55).
- Cushioned main boom and swing cylinders for smooth operation.
- Front of cab power-point for auxiliary lighting on site.
- Boom and cab mounted work LED lights give options for all types of working conditions.
- Well positioned enhanced VDU - warning indicators, rpm, hour meter, fuel, battery charge, temperature, oil pressures and maintenance alerts.

SAFETY & SERVICE

- Automatic fuel bleed system
- Enhanced 100% steel wraparound frame protects key components.
- Flat glass panels make replacement an affordable option.
- Easy access service points including hydraulic pump test, air and oil filters.
- Safe maintenance with a battery isolator switch.
- Easy access socket for diagnostic testing.
- Fitted with anti-theft TSS - Takeuchi Security System as standard.





MAXIMUM COMFORT

Operators get maximum comfort with a comfortable spring-loaded seat and adjustable arm rest.

The comfy cab includes Bluetooth and MP3 sockets alongside in-cab 12v power supply and, easy access to the covered fuse-box.

With plenty of in-cab storage with a lockable toolbox behind the seat on the canopy.

The TB225 is fitted with anti-theft TSS - Takeuchi Security System as standard.



ALL-ROUND PROTECTION

The TB225 is built with all steel construction and a large wraparound counterweight for rear end protection.

The cab is ROPS / TOPS / OPG for maximum protection and the main boom cylinder is well guarded.

Easy access side panel for battery isolator, grease gun and refuelling.

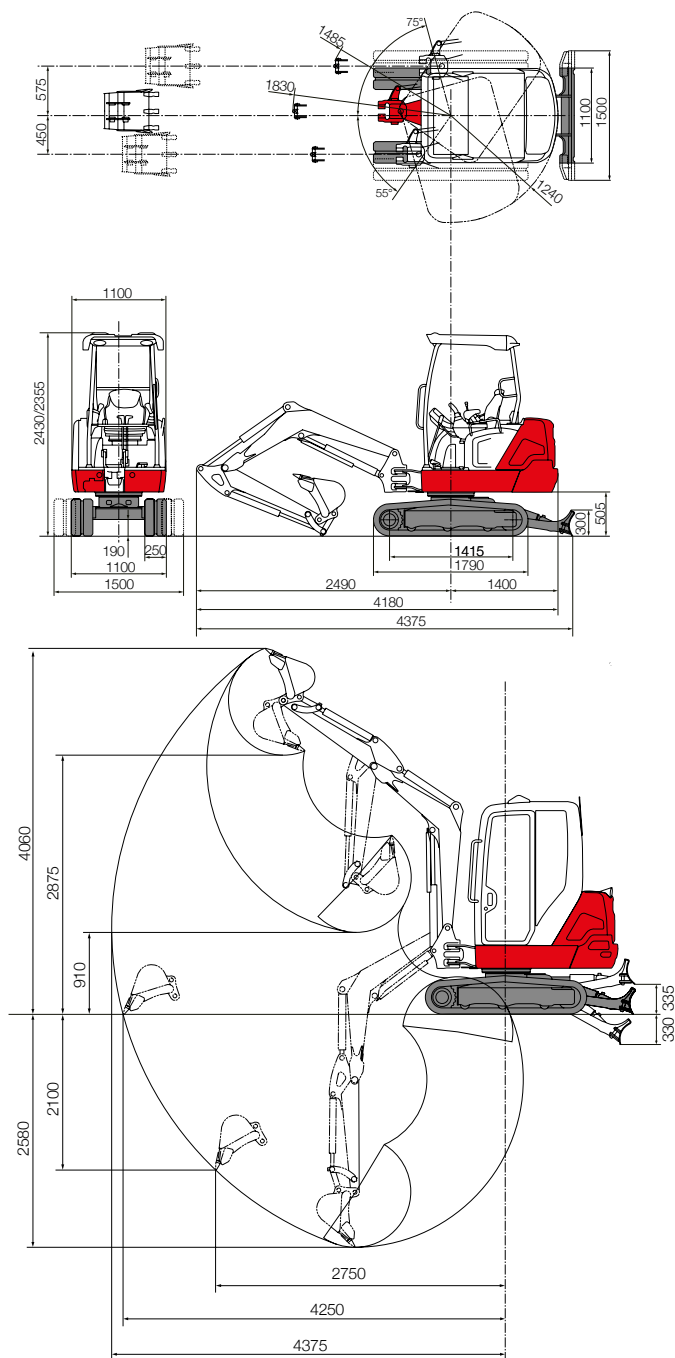


TOTAL SERVICEABILITY

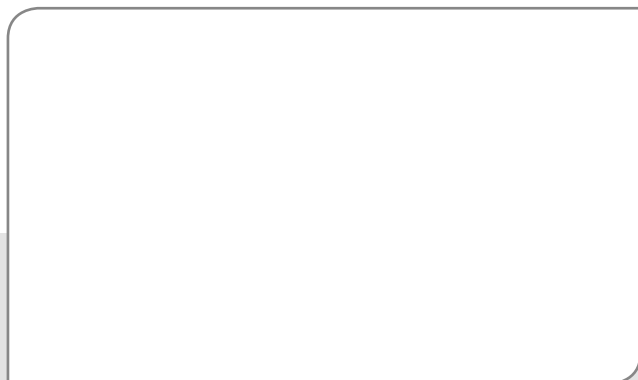
Triple flange track rollers help maximise track retention.

The TB225 under-carriage is very easy to service, the extending track-frame can be easily maintained with replaceable wear parts.





For more information locally
call us direct, or contact:



Takeuchi Mfg (UK) Ltd, Unit E2B Kingsway Business Park,
John Boyd Dunlop Drive, Rochdale, Lancashire OL16 4NG
Tel: 01706 657 722 Fax: 01706 657 744

Southern Depot at 20 Colthrop Business Park
Colthrop Lane, Thatcham, Newbury, Berks RG19 4NB
Tel: 01635 877 196 Fax: 01635 877 195

www.takeuchi-mfg.co.uk Email: sales@takeuchi-mfg.co.uk

TB225

Standard UK Specification - Long Dipper

Engine	
Make	YANMAR
Model	3TNV82A
Rated Output (kW)/rpm	16.5/2200
Maximum Torque (Nm)	84.1
Cylinders	3
Displacement (cc)	1330
Electrical System	12V
Dimensions & Weight	
Operating Weight inclusive of hitch, bucket and fuel: cab/canopy (kg)	2376/2241
Length (Transporting) (mm)	4375
Width cab/canopy (mm) with extended track (mm)	1100/1500
Height cab/canopy (mm)	2430/2355
Ground Clearance (mm)	190
Min. Front Swing Radius (mm)	1485
Tail Swing Radius (mm)	1240
Dozer Blade (W x H) (mm)	1100-1500 x 300
Operating Information	
Max Digging Depth (mm)	2580
Max Dump Height (mm)	2875
Max Reach at Ground Level (mm)	4250
Max Vertical Digging Depth (mm)	2100
Max Bucket Digging Force (kN)	19.3
Max Arm Digging Force (kN)	12.8
Hydraulic System	
Set Pressure (bar)	210
Pump Type	Variable x 2 Gear x 2
Hydraulic Flow Aux Port (l/min)	0 - 38.5
Swing System	
Boom Swing Angle (R/L)	75°/55°
Slew Speed (rpm)	9.7
Slew Motor	Trachoid Gear
Undercarriage	
Traction Motor	Axial Piston
Traction Drive	Planetary
Traction Brake	Disc
Track Width (mm)	250
Ground Contact Length (mm)	1415
Ground Pressure (kpa)	30.4/28.7
Travel Speed (km/h)	2.5-4.2
Maximum Gradeability	30°
Capacities	
Hydraulic System (l)	36
Fuel Tank (l)	30.5
Engine Lubrication (l)	3.6
Cooling System (l)	4.3

All dimensions unless otherwise stated are in millimetres.

OPTIONS: TKB102-S hydraulic breaker, hitches, buckets.
Factory fitted option - 2nd, 3rd & 4th Auxiliary and change over valve.

4/2018

*Lifting; the mass weight of slings / hitches / bucket to be deducted from the rated load to determine the net load that may be lifted.

Takeuchi machines come with a 2 year/2000 hours warranty as standard. Warranty exceptions to 1 year; fuel injection systems, electrical components, paint work.

In accordance with our established policy of constant improvement, we reserve the right to amend these specifications at any time without notice.
Photographs shown may feature non-standard equipment.

TAKEUCHI
Japanese for Reliability