

WEIGHT CLASS
15 TONNE
| TB2150R |



TAKEUCHI
Japanese for Reliability

The New TB2150R excavator

powerful 15.6 tonne excavating fixed boom and short tail



The New TB2150R is the largest excavator in the Takeuchi line up. It features a fixed conventional boom and reduced tail swing providing 15.6 tonnes of powerful performance.

The TB2150R offers a very compact alternative to the TB2150 offset machine, with a short tail swing it can get to work in the most confined spaces.

The above average breakout force highlights the massive added power of the new TB2150R, with a robust mono-boom as standard, a 2-piece boom is optional and ideal for restricted working environments.

Takeuchi excavators are built with proven smooth hydraulic controls and the new TB2150R is no exception, with familiar precision touch-controls that make the Takeuchi an operators favourite.

MAXIMUM POWER & EFFICIENCY

Powered by a Deutz 85 kW engine, the TB2150R meets all the very latest emission standards for environmentally friendly working sites. (EU Stage IV / EPA Tier 4 Emission Compliant). This engine also utilises a DOC + SCR exhaust after treatment system.



SMOOTH PRECISION HYDRAULICS

The TB2150R enjoys smooth precision hydraulics with excellent joy stick functionality for operators.

With three auxiliary hydraulic circuits as standard, the TB2150R is adequately equipped for all sorts of attachments.



CONVENTIONAL FIXED BOOM

The fixed boom position to the right of the cab is compact enough for maximum all round visibility, with care taken to position the check valves away from potential site damage.



Operators enjoy the smooth operation and powerful digging force of a TB2150R. The isolation mounted cab provides all day operating comfort essential for rugged tough terrain and groundwork.

Regarded as a high specification machine with plenty of value added features, owner operators really appreciate the power, performance and reliability of the TB2150R.

The TB2150R offers a compact track footprint of just 2690 x 3750mm with a short tail swing the TB2150R gets to work in spaces other conventional machines can't go.

With just a 350mm overhang the short tail gains maximum accessibility.

The conventional fixed boom offers increased lifting capacity for the heaviest loads with fast cycle times.

With a reputation for reliability, Japanese build quality makes all the difference.

MAXIMUM OPERATOR COMFORT AND CONTROL

The stylish and roomy cab with ROPS/TOPS/FOPS minimises vibration and noise, with a heavy-duty roof guard comes as standard.

With climate control and a large heated adjustable air suspension seat operators enjoy maximum all day comfort.

The new-styled interior features a large intuitive multi-function colour display, multi USB charging ports and radio with Bluetooth function.

The top glass with sun shade and front window rain guard improves visibility and reduces glare.

Maximum all-round operator visibility with a large radius rear-view camera and 5 all-round mirrors.

LED work lights provide excellent illumination in low light conditions - located on the boom, cab, front and rear as standard. The large rear counterweight lights provide added safety along with a motion alarm fitted as standard.

REDUCED SHORT TAIL

With a minimum overhang of just 350mm on 700mm steels the TB2150R is a very compact 15 tonne excavator, working in confined spaces other conventional machines can't.

**PERFORMANCE**

- Automatic step-down travel motors provide torque on demand when pushing, climbing, or turning in high speed mode.
- With auto deceleration and alternative working modes the TB2150R saves fuel when not required.
- V-rib belt with automatic tensioner reduces maintenance.
- Energy saving hydraulic fan drive for the cooling system.

OPERATION

- Pilot operated joystick controls deliver precise responsive operation.
- Hammer, shear, rotate pipe work fitted to the mid arm allows the TB2150R to be a versatile attachment platform where both flows and pressure can be adjusted from the control panel.
- Added cab space allows the operator to be comfortable throughout the workday and the large foot pedals fully support the operator's feet when using the travel function.
- Extensive rear camera allows the operator to view obstacles behind the machine for safety.

CAPACITIES

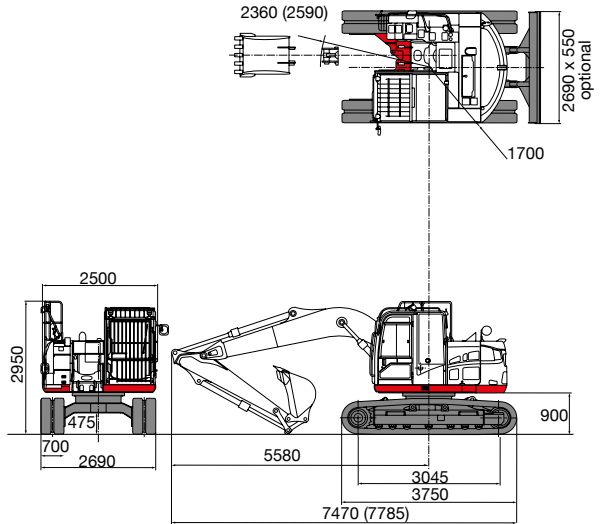
- Maximum Digging Depth 5530mm
- Maximum Dumping Height 6185mm
- Maximum Reach at Ground Level 8195mm
- Maximum Vertical Digging Depth 5025mm
- Maximum Bucket Digging Force 98.7kN
- Maximum Arm Digging Force 64.9kN

ROBUST UNDERCARRIAGE

The TB2150R features a large cast steel wraparound counterweight designed with an extra strong chassis and under carriage.

The longer track carriage features triple flanged rollers and two carrier rollers.

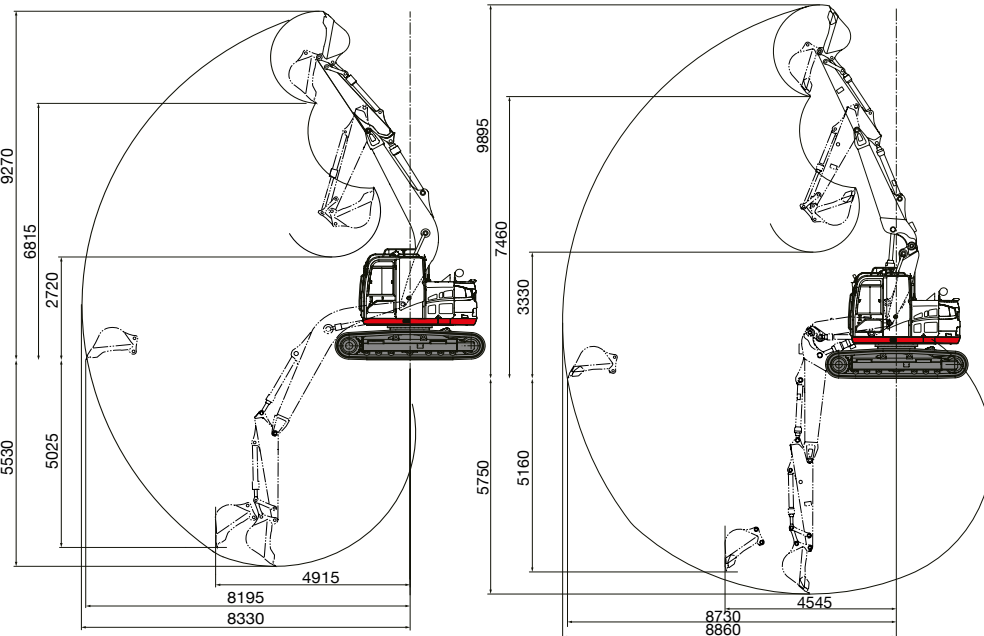




measurements in mm Standard Mono (optional 2 piece boom)

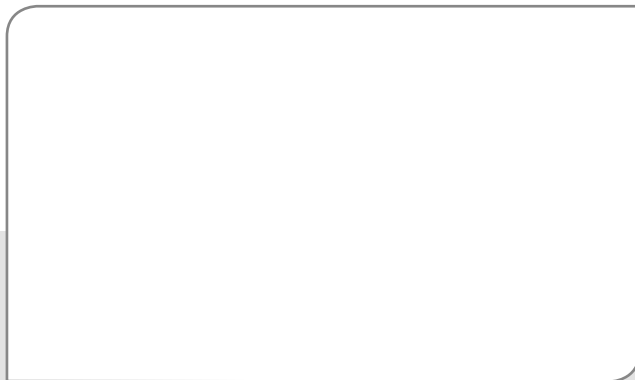
Mono Boom

2-piece Boom



For more information locally

call us direct, or contact:



Takeuchi Mfg (UK) Ltd, Unit E2B Kingsway Business Park,
John Boyd Dunlop Drive, Rochdale, Lancashire OL16 4NG
Tel: 01706 657 722 Fax: 01706 657 744

Southern Depot at 20 Colthrop Business Park
Colthrop Lane, Thatcham, Newbury, Berks RG19 4NB
Tel: 01635 877 196 Fax: 01635 877 195

www.takeuchi-mfg.co.uk Email: sales@takeuchi-mfg.co.uk

TB2150R Standard UK Specification

Middle Arm - Mono Boom - Steel Tracks
(Optional Specification - 2 piece Boom)

| Engine | |
|---------------------|-----------|
| Make | DEUTZ |
| Model | TCD3.6L4 |
| Rated Output (kW) | 85 / 2000 |
| Maximum Torque (Nm) | 460 |
| Cylinders | 4 |
| Displacement (cc) | 3621 |
| Electrical System | 24 volt |

| Dimensions & Weight | |
|--|---------------|
| Operating Weight kg | 15640 (16270) |
| Mono Boom (2-piece boom) (incl. 1200mm bucket, hitch, fuel) | |
| Length (Transporting) (mm) | 7470 (7785) |
| Width (mm) | 2690 |
| Height (mm) | 2950 |
| Ground Clearance (mm) | 445 |
| Dozer Blade (W x H) (mm) optional | 2690 x 550 |

| Operating Information | |
|--|-------------|
| Max Digging Depth (mm) | 5530 (5750) |
| Max Dump Height (mm) | 6815 (7460) |
| Max Reach at Ground Level (mm) | 8195 (8730) |
| Max Vertical Dig Depth (mm) | 5025 (5160) |
| Max Bucket Digging Force (kN) | 98.7 |
| Max Arm Digging Force (kN) | 64.9 |
| Max Lift at Full Reach rear/front (daN)* | 1976 (1981) |
| Max Lift at Full Reach over side (daN)* | 1474 (1269) |
| Max Lift rear/front/side (daN)* | 7935 (4766) |

| Hydraulic System | |
|--------------------------------------|-----------------------|
| Set Pressure (bar) | 340 |
| Pump Type | Variable Displacement |
| Hydraulic Pump Flow Aux port (l/min) | 224 |

| Swing System | |
|------------------|--------|
| Slew Radius (mm) | 1700 |
| Slew Speed (rpm) | 11 |
| Slew Motor | Piston |
| Slew Brake | Disc |

| Undercarriage | |
|-----------------------------|-----------------------|
| Traction Motor | Variable Displacement |
| Traction Drive | Epicyclic Gearing |
| Traction Brake | Disc |
| Track Width (mm) | 700 |
| Ground Contact Length (mm) | 3045 |
| Ground Pressure (kpa) | 46.2 (48.1) |
| Travel Speed (k/ph) (steel) | 2.7/ 5.1 |
| Maximum Gradeability | 35° |

| Capacities | |
|------------------------|-----|
| Hydraulic System (l) | 131 |
| Fuel Tank (l) | 221 |
| Engine Lubrication (l) | 10 |
| Cooling System (l) | 27 |

OPTIONS: 2 piece boom, rubber tracks, hitches, dozer, buckets sizes 450-1200mm digging, 1800mm ditch, hydraulic breaker TKB802-S.

9/2017

*Lifting; the mass weight of slings / hitches / bucket to be deducted from the rated load to determine the net load that may be lifted.

Takeuchi machines come with a 2 year/2000 hours warranty as standard. Warranty exceptions to 1 year; fuel injection systems, electrical components, paint work.

In accordance with our established policy of constant improvement, we reserve the right to amend these specifications at any time without notice. Photographs shown may feature non-standard equipment.



SERVICEABILITY

The TB2150R is designed for maximum easy servicing for daily routines **all at ground level.**

- Filter access points, centralised grease points and a convenient counterweight access to the oil filter and dipstick.
- Front right access panel provides access to the hydraulic valve chest.
- Right rear panel allows access to the fuel and pilot line filters and hydraulic pumps.
- Left side cover provides excellent access to the DEF tank, dual element air cleaner, batteries and grease gun storage with dedicated compartment for electric refuelling pump with auto shut off. Ad blue points with ad blue warning.
- Exhaust after-treatment system – includes a maintenance free diesel oxidation catalyst (DOC), and a selective catalytic reduction (SCR) with diesel exhaust fluid (DEF) to comply with latest EPA Tier 4 emissions requirements.

Well positioned grip-steps and handle bars provide safe access to service areas at the top of the machine.

- Well positioned enhanced visual display unit - warning indicators, rpm, hour meter, fuel, battery charge, temperature, oil pressure and maintenance alerts.



OPTIONAL DOZER

The TB2150R dozer blade is available as an easy-fit option.

