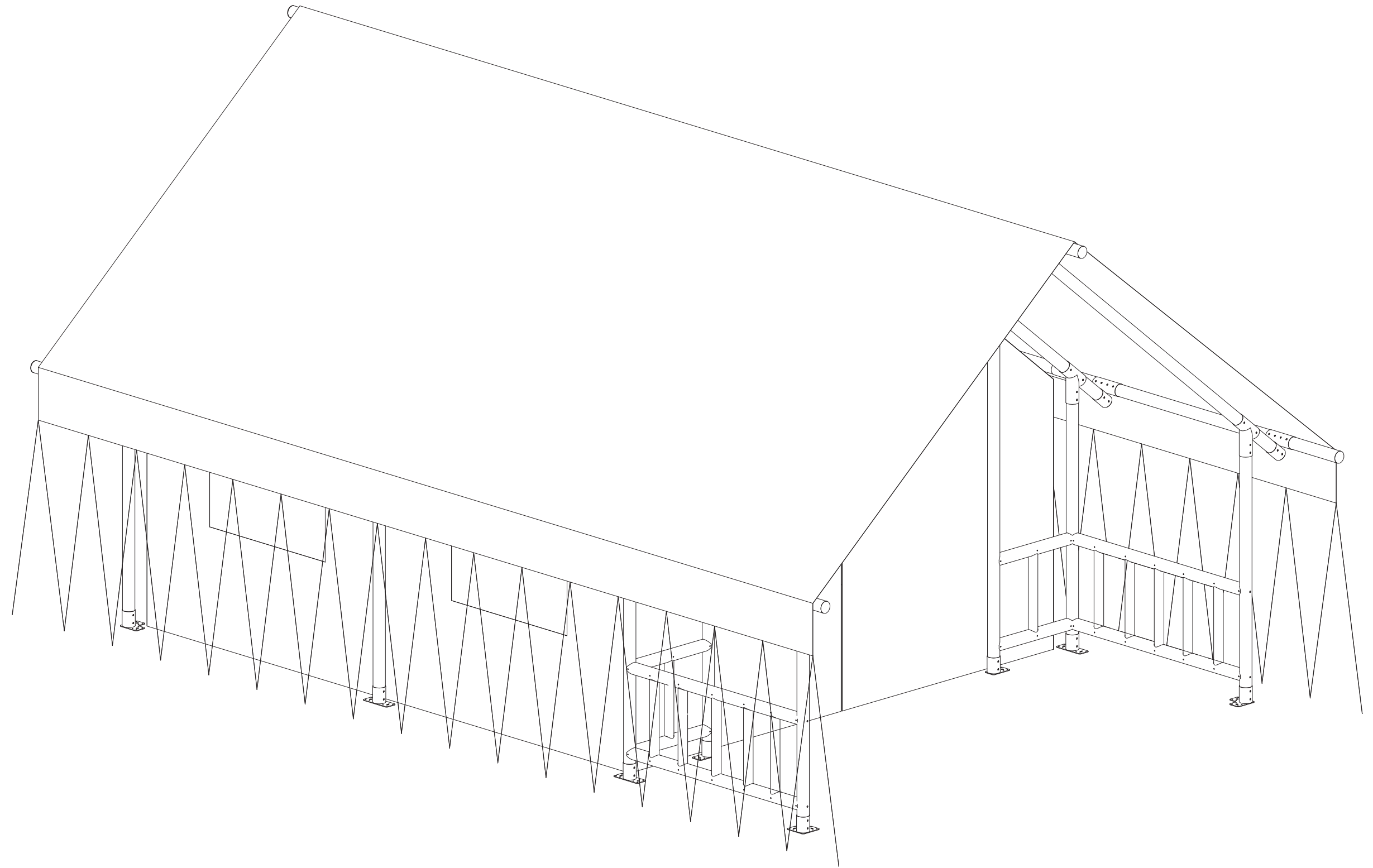
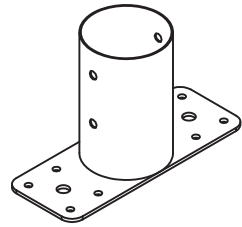


# SOLSTICE II

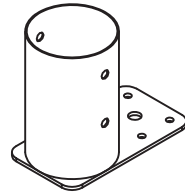


Product drawing

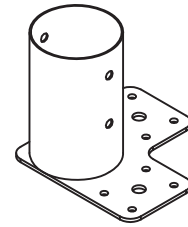
# SOLSTICE II



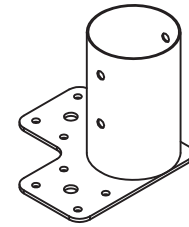
A32 Base-180° 4PCS



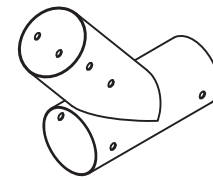
A32 Base 2PCS



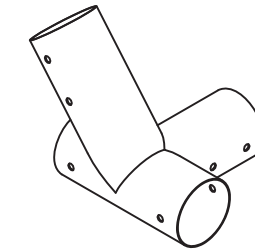
A32 Base-90° -left 2PCS



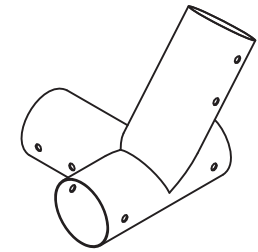
A32 Base-90° -right 2PCS



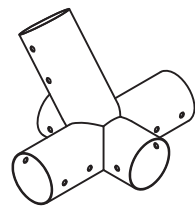
A32 Connector-50° 4PCS



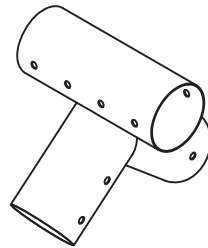
A32 Connector-50° left 2PCS



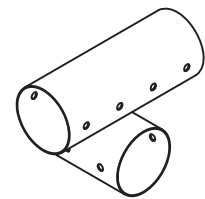
A32 Connector-50° right 2PCS



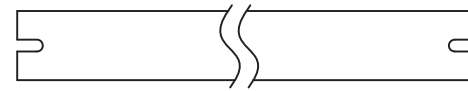
A32 Connector-50° 2PCS



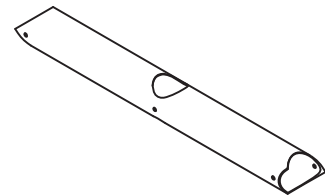
A32 Connector-100° 4PCS



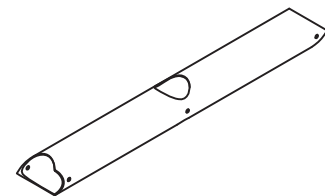
A32 Edge connector-100° 8PCS



φ70 Member-690 8PCS



φ90 Member-800-up 2PCS



φ90 Member-800-blow 2PCS

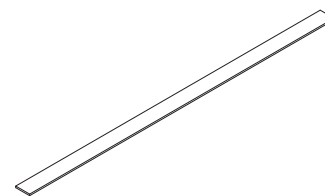
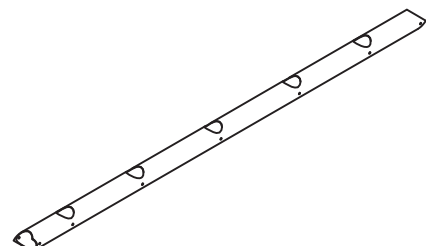
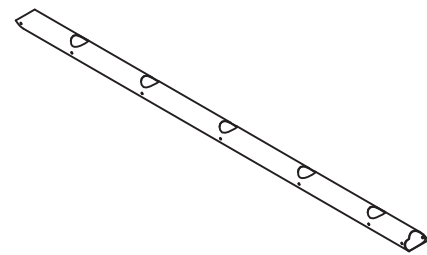


plate-2600\*20 4PCS



φ90 Member-2600-up 2PCS



φ90 Member-2600-blow 2PCS

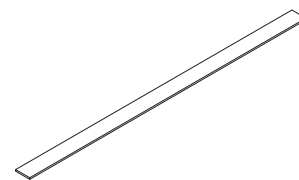
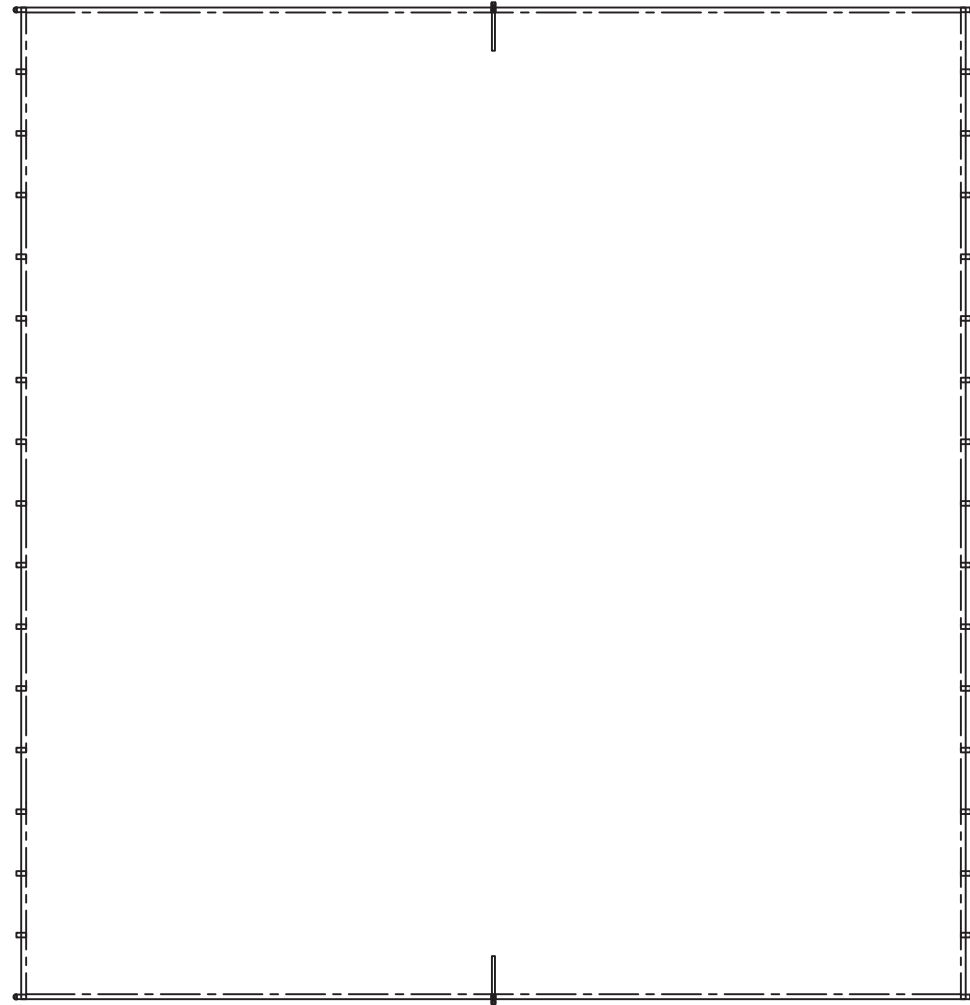


plate-2150\*20 4PCS

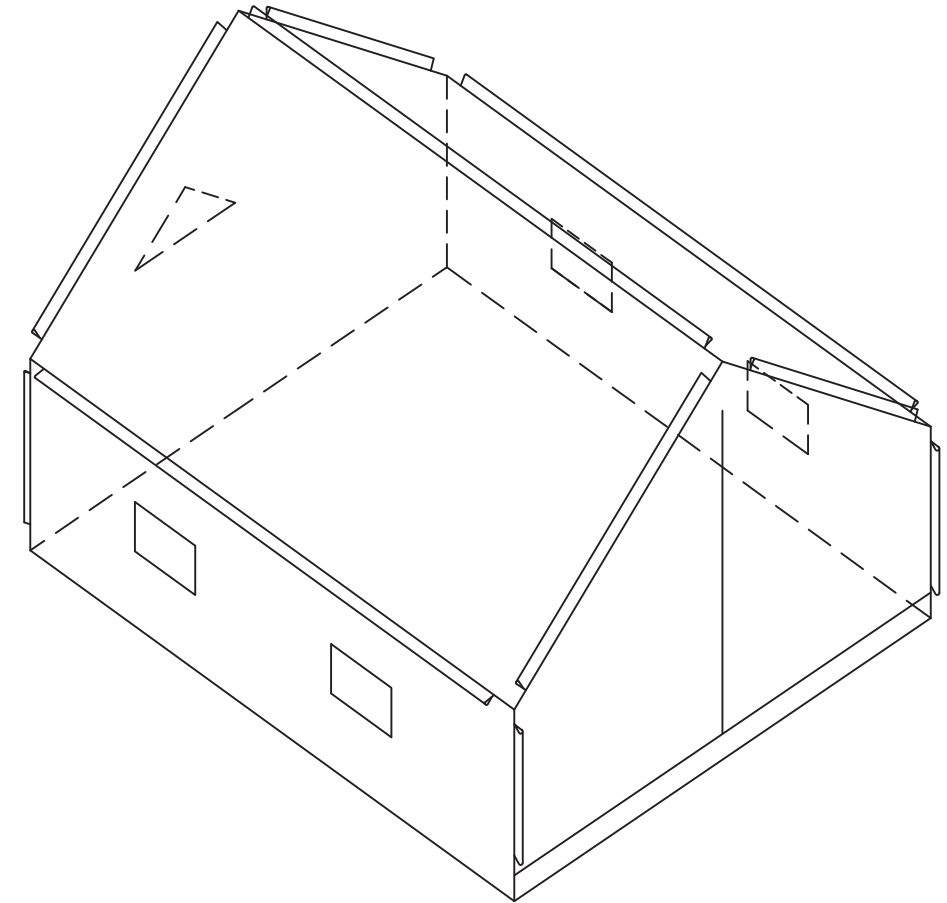
Name	Size (MM)	Quantity (PCS)
Member-φ 90*1995	φ 90*1995	4
Guardrail member-φ 90*1995	φ 90*1995	4
Member-φ 90*3200	φ 90*3200	3
Member-φ 90*2600	φ 90*2600	4
Member-φ 90*2700	φ 90*2700	3
Member-φ 90*667	φ 90*2667	2
Member-φ 90*3300	φ 90*3300	3
Member-φ 90*3350	φ 90*3350	8
Circular tube-φ 16*1655	φ 16*1655	4
Circular tube-φ 16*2500	φ 16*2500	6
Circular tube-φ 16*2610	φ 16*2610	4

## Material Details

# SOLSTICE II



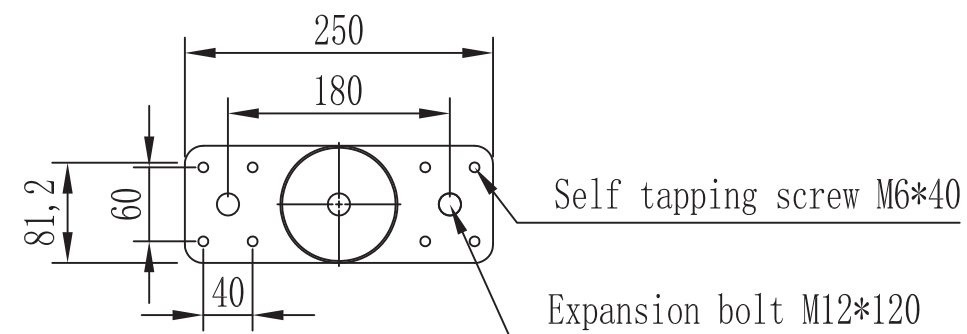
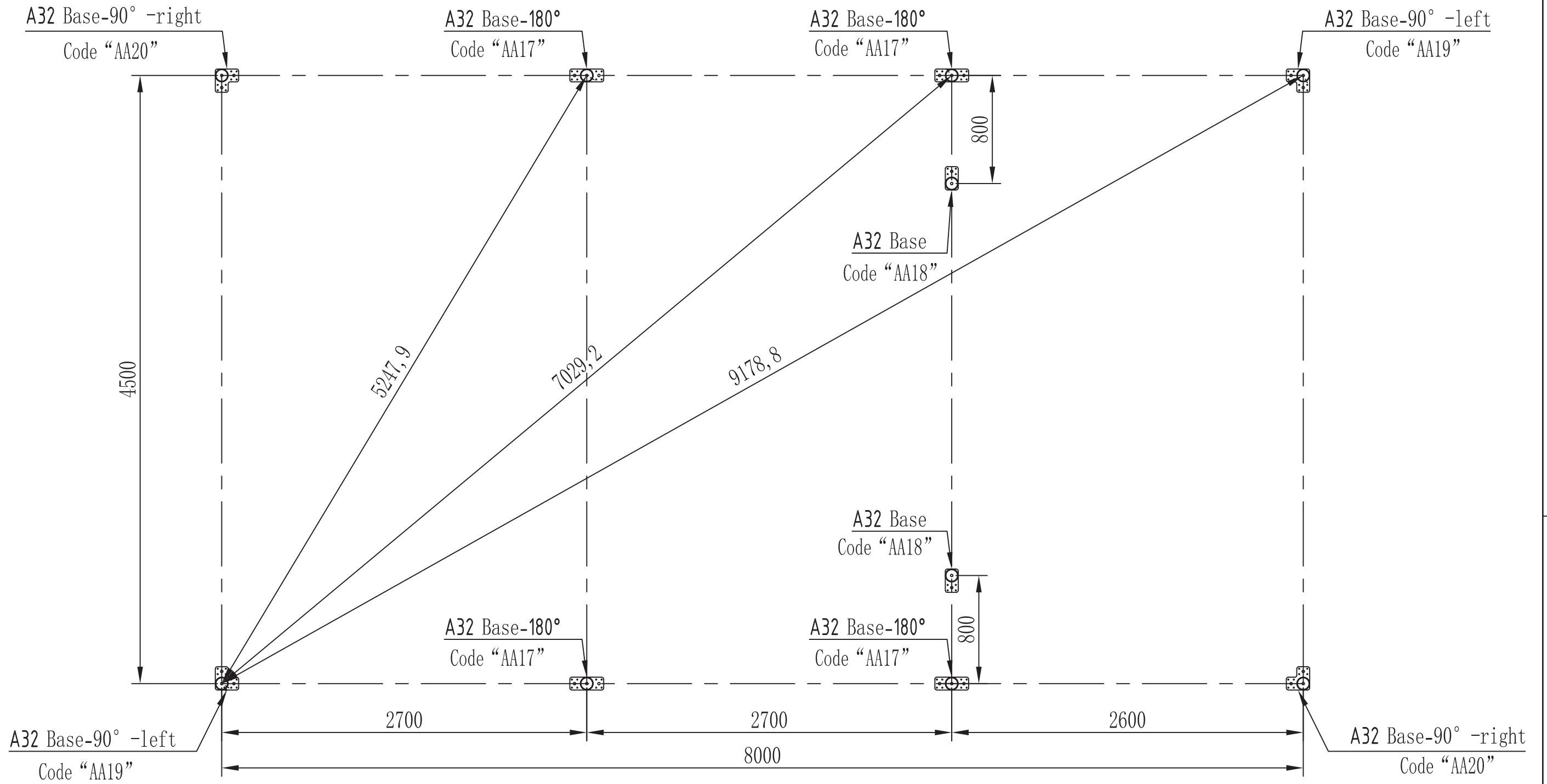
A36-4.5\*8m tarpaulin 1PCS



A36-4.5\*8m inner tarpaulin 1PCS

Material Details

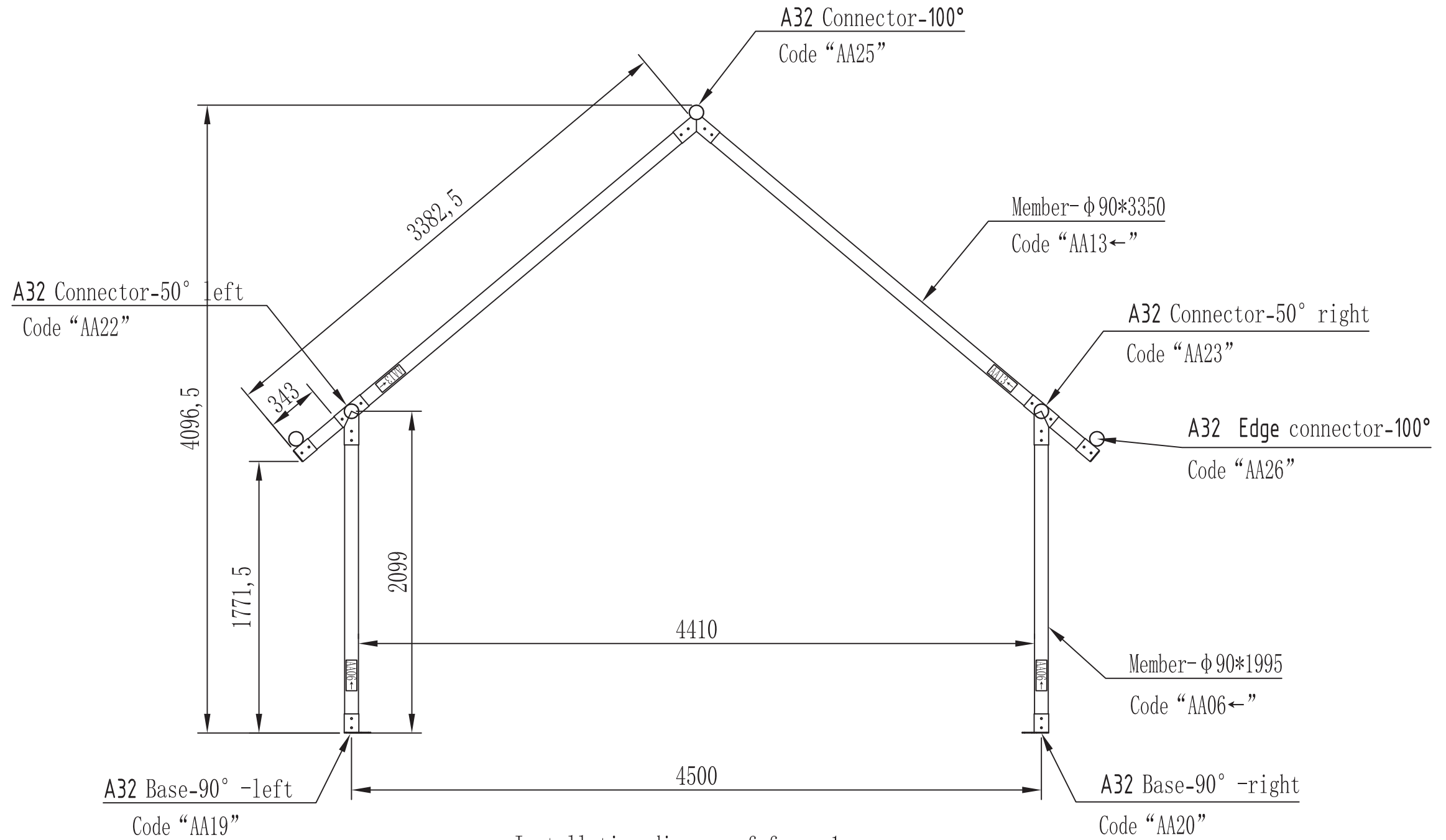
# SOLSTICE II



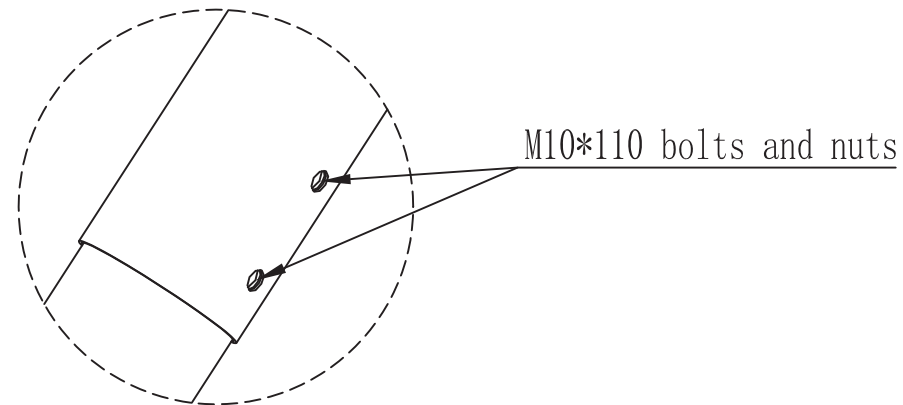
Foundation positioning diagram

Foundation fixing diagram

# SOLSTICE II



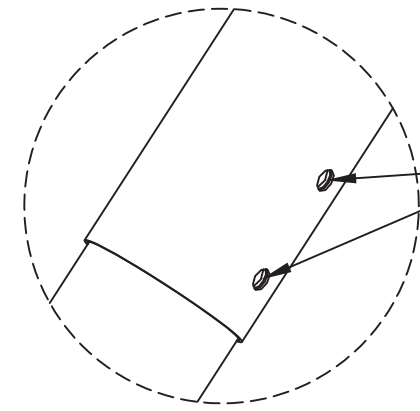
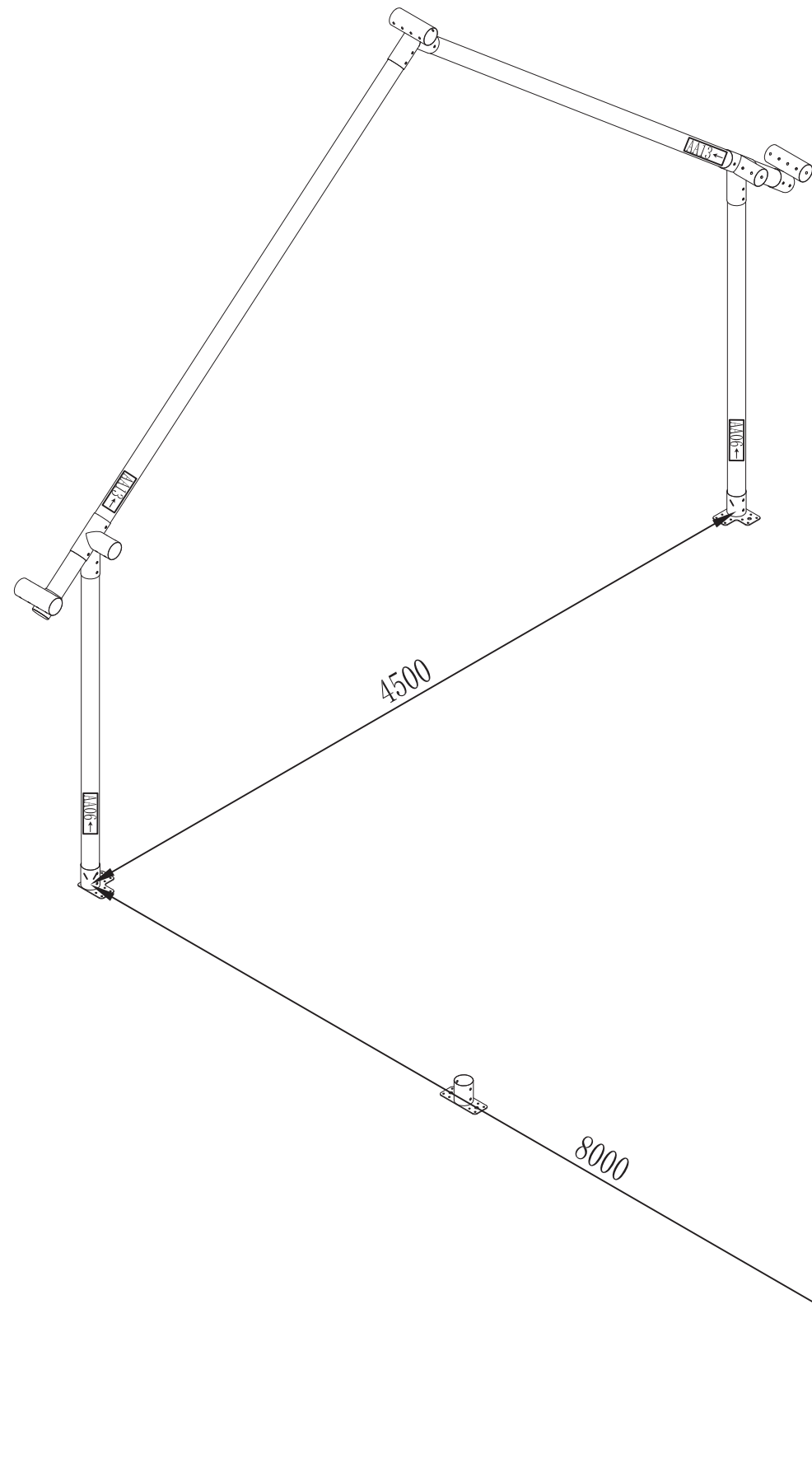
Installation diagram of frame 1



Connection diagram

Frame installation

# SOLSTICE II

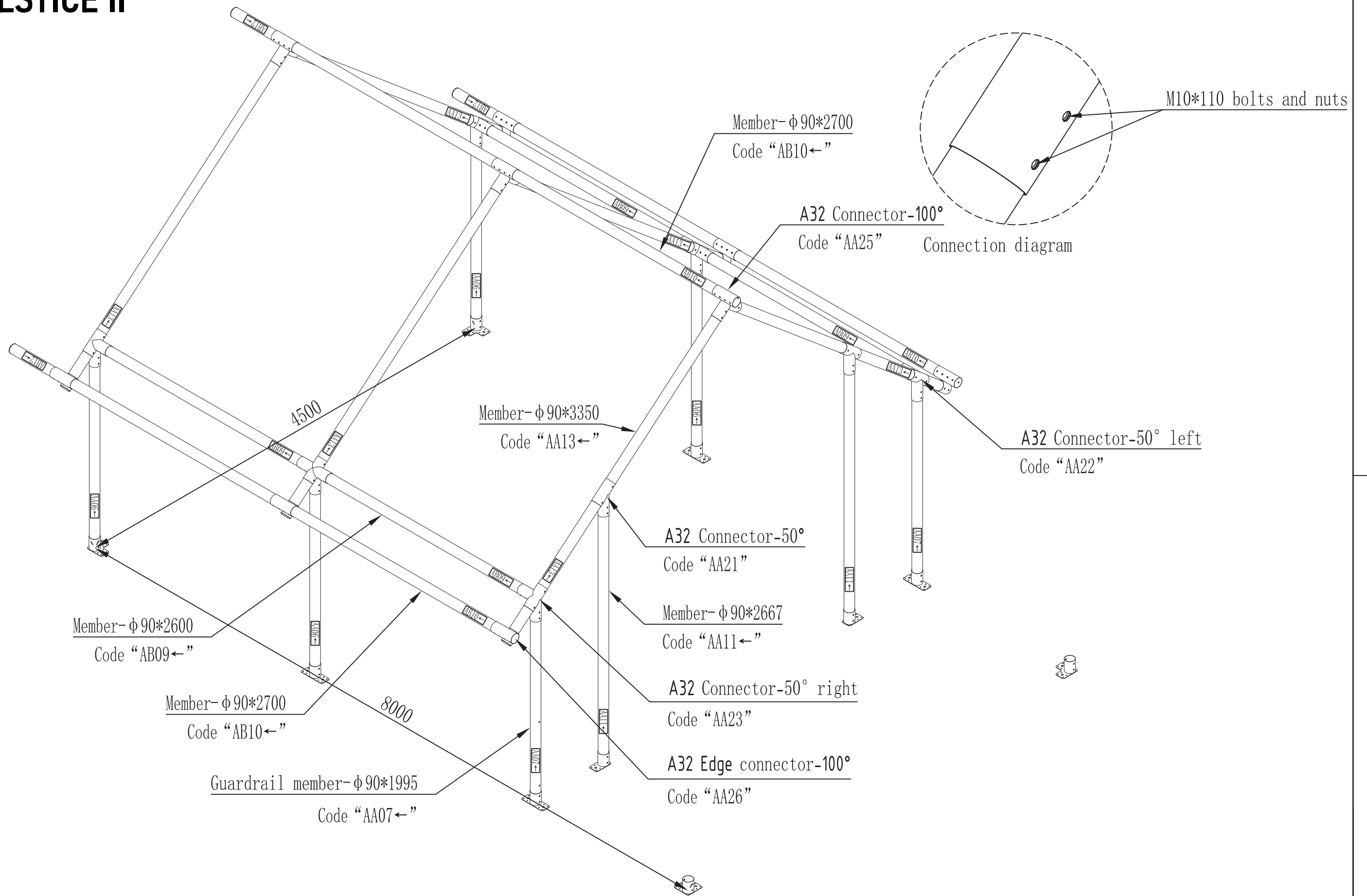


M10\*110 bolts and nuts

Connection diagram

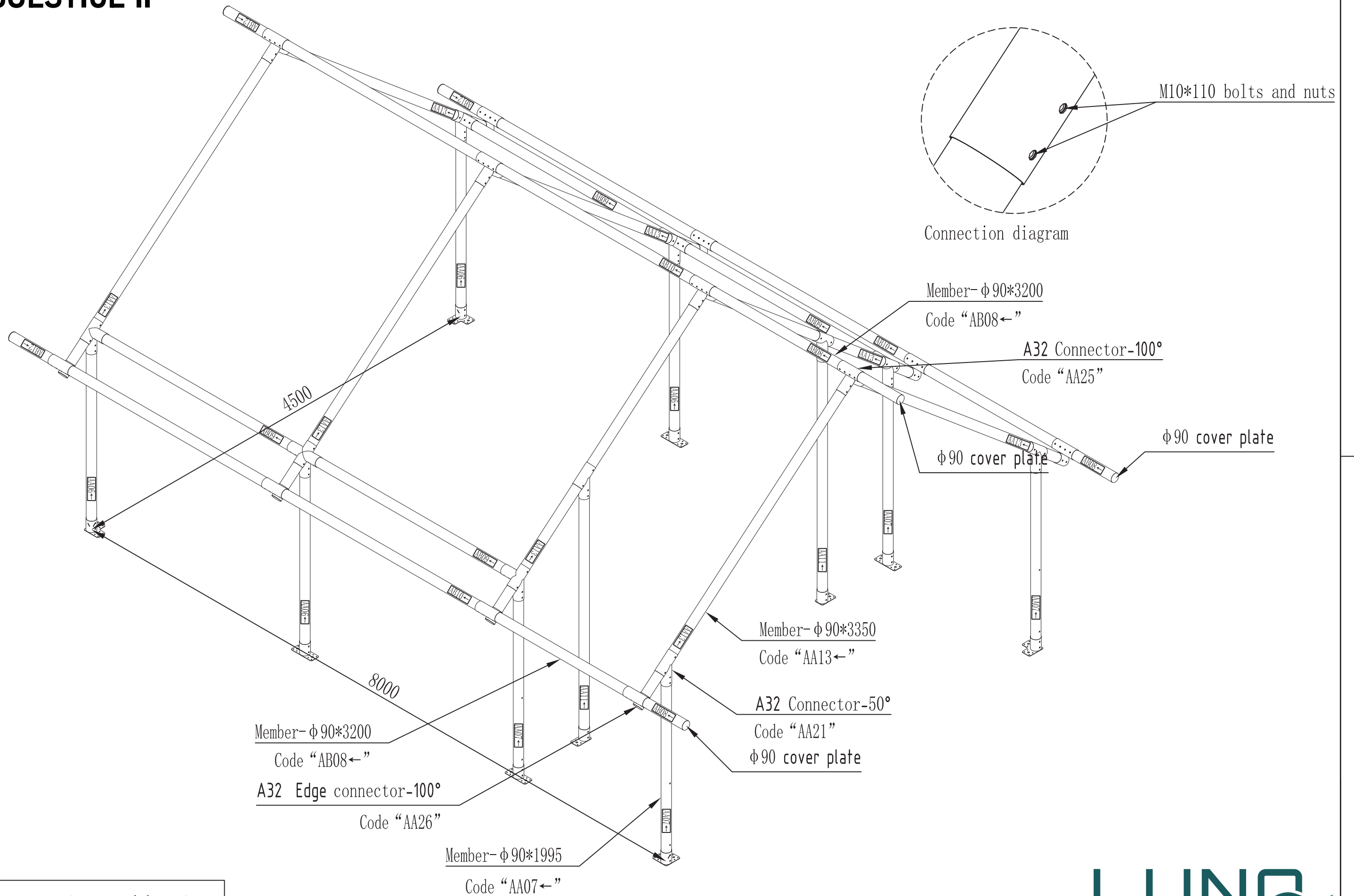
Frame installation

# SOLSTICE II



Frame installation

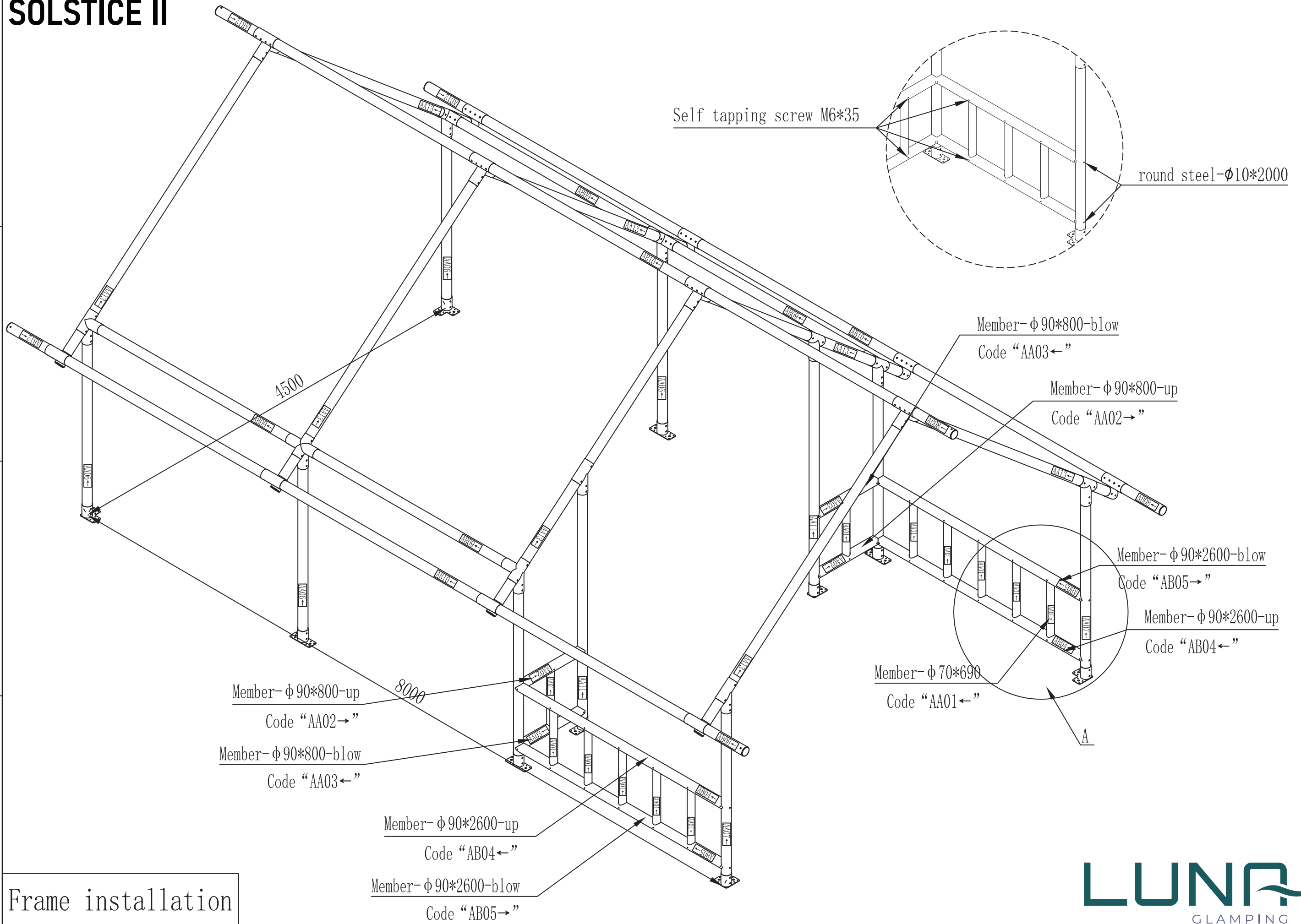
# SOLSTICE II



Frame installation



# SOLSTICE II

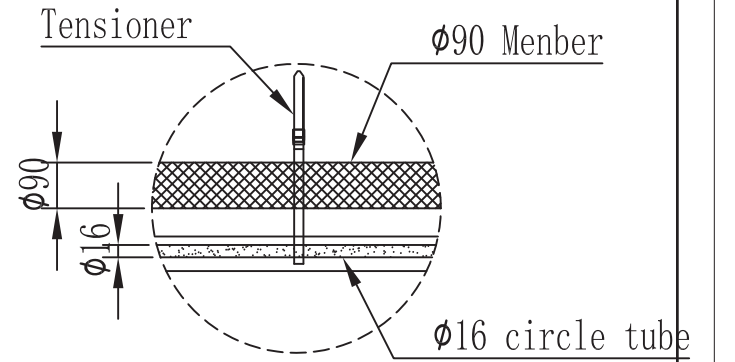


Frame installation

# SOLSTICE II

circle tube  $\phi 16*2610$ , Install 4 places

Circular tube- $\phi 16*2500$



A Installation details

circle tube  $\phi 16*1655$ , Install 4 places

plate-2150\*20

Self tapping screw fixation

Self tapping screw M6\*35

inner tarpulin

20 plate

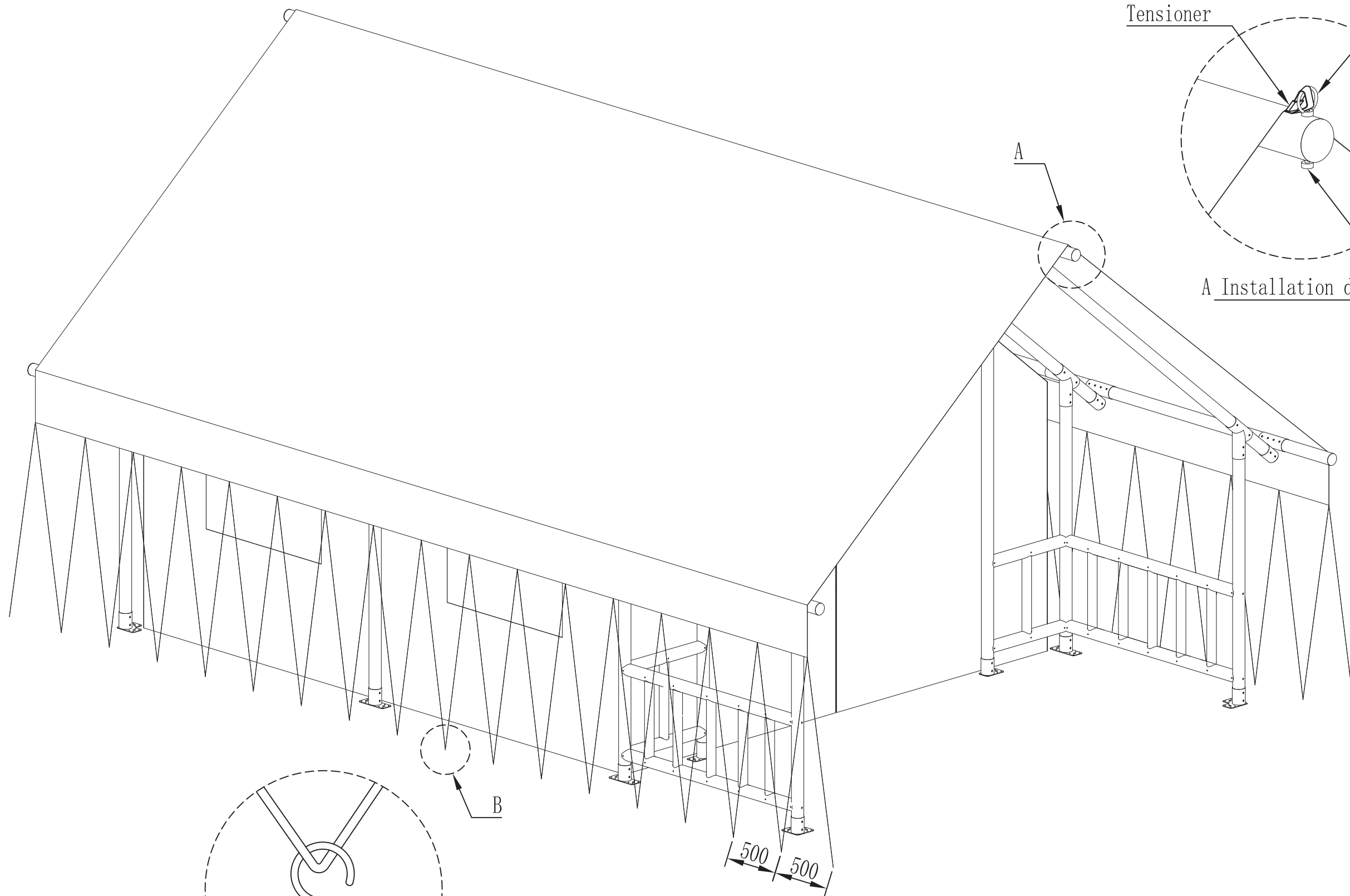
plate-2600\*20

Self tapping screw fixation

inner tarpaulin installation

B Installation details

# SOLSTICE II



Tensioner M10 Ring nut

M10\*110 bolt

A Installation details

Hook screw

B

500 500

tarpaulin installation

B Installation details