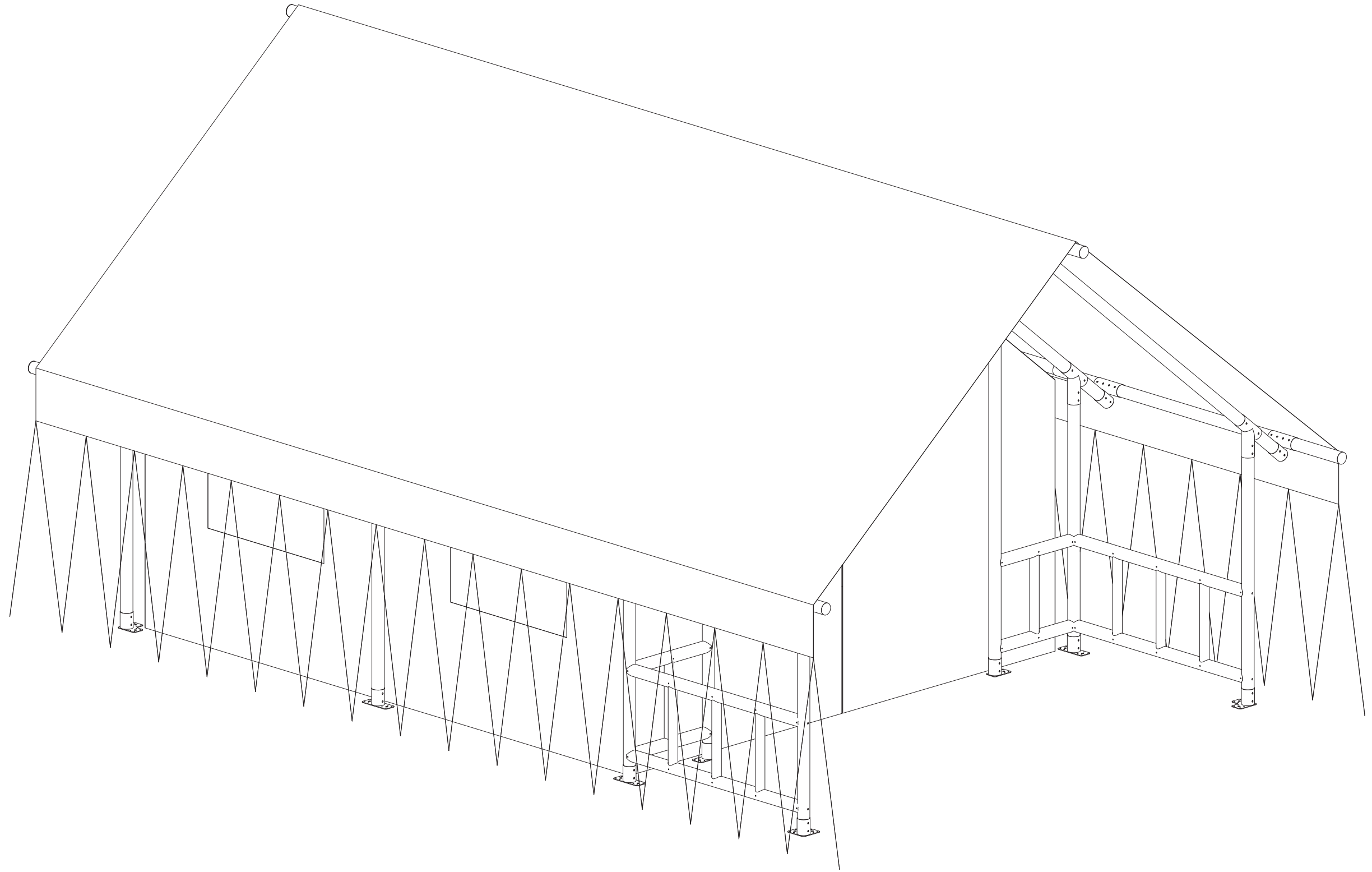
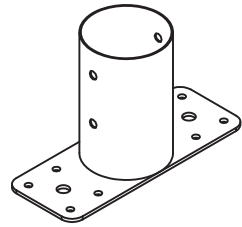


# SOLSTICE I

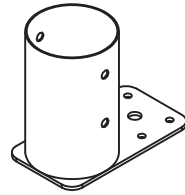


Product drawing

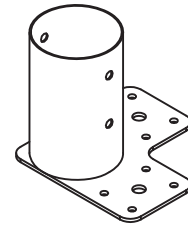
# SOLSTICE I



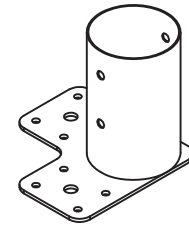
A32 Base-180° 4PCS



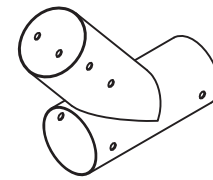
A32 Base 2PCS



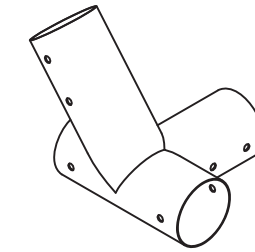
A32 Base-90° -left 2PCS



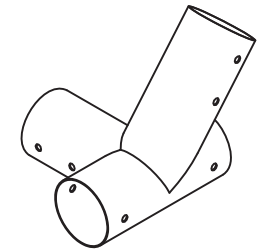
A32 Base-90° -right 2PCS



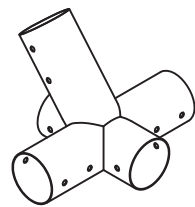
A32 Connector-50° 4PCS



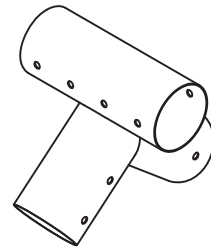
A32 Connector-50° left 2PCS



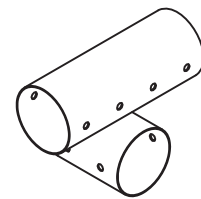
A32 Connector-50° right 2PCS



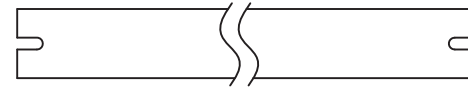
A32 Connector-50° 2PCS



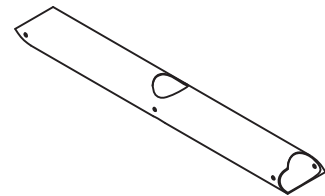
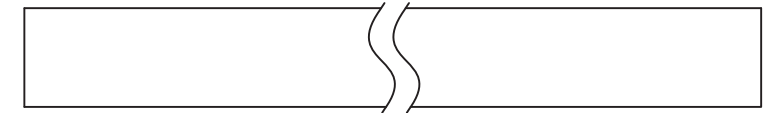
A32 Connector-100° 4PCS



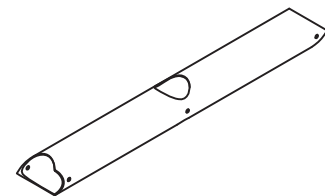
A32 Edge connector-100° 8PCS



φ70 Member-690 8PCS



φ90 Member-800-up 2PCS



φ90 Member-800-below 2PCS

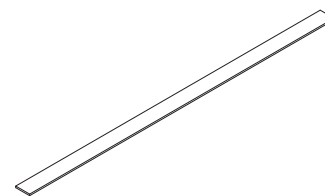
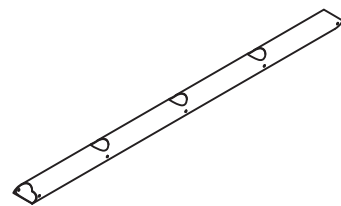
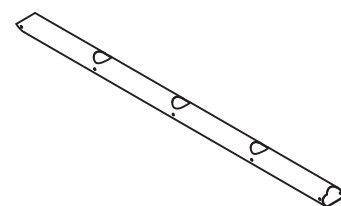


plate-2440\*20 4PCS



φ90 Member-1800-up 2PCS



φ90 Member-1800-below 2PCS

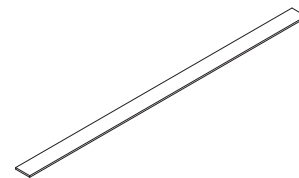
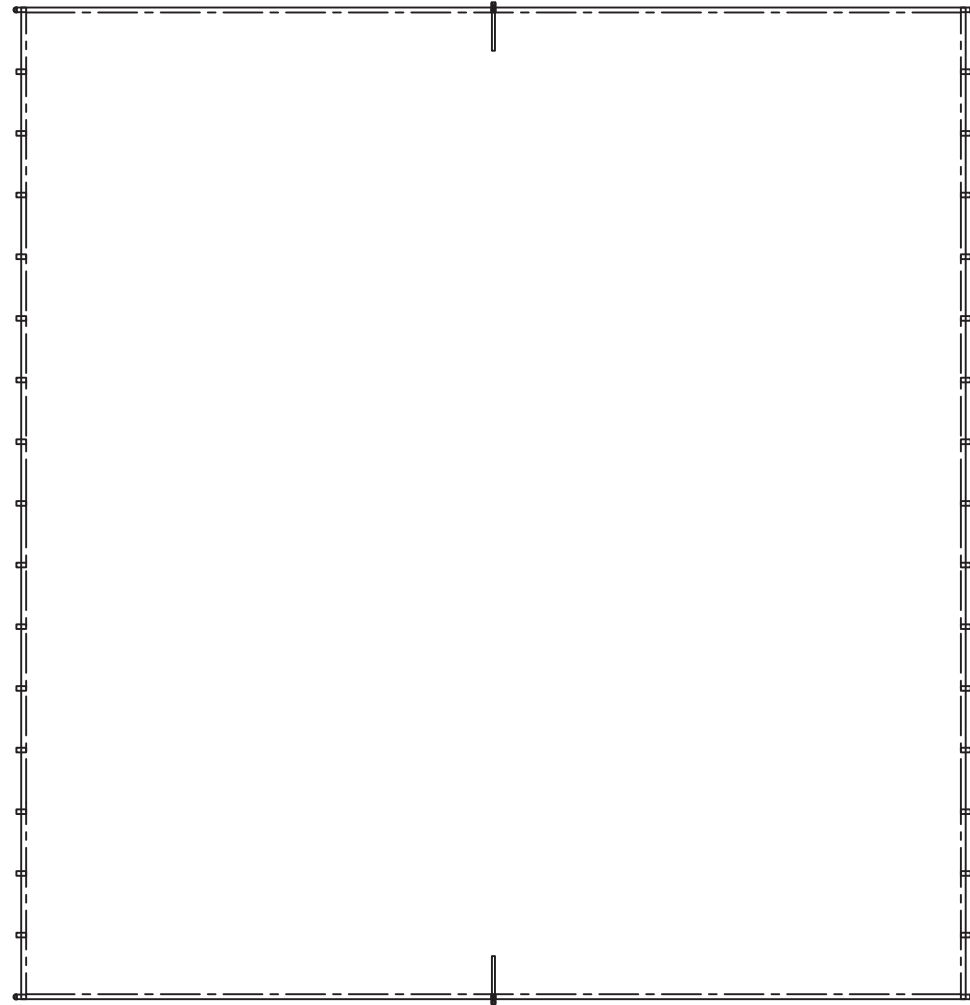


plate-2150\*20 4PCS

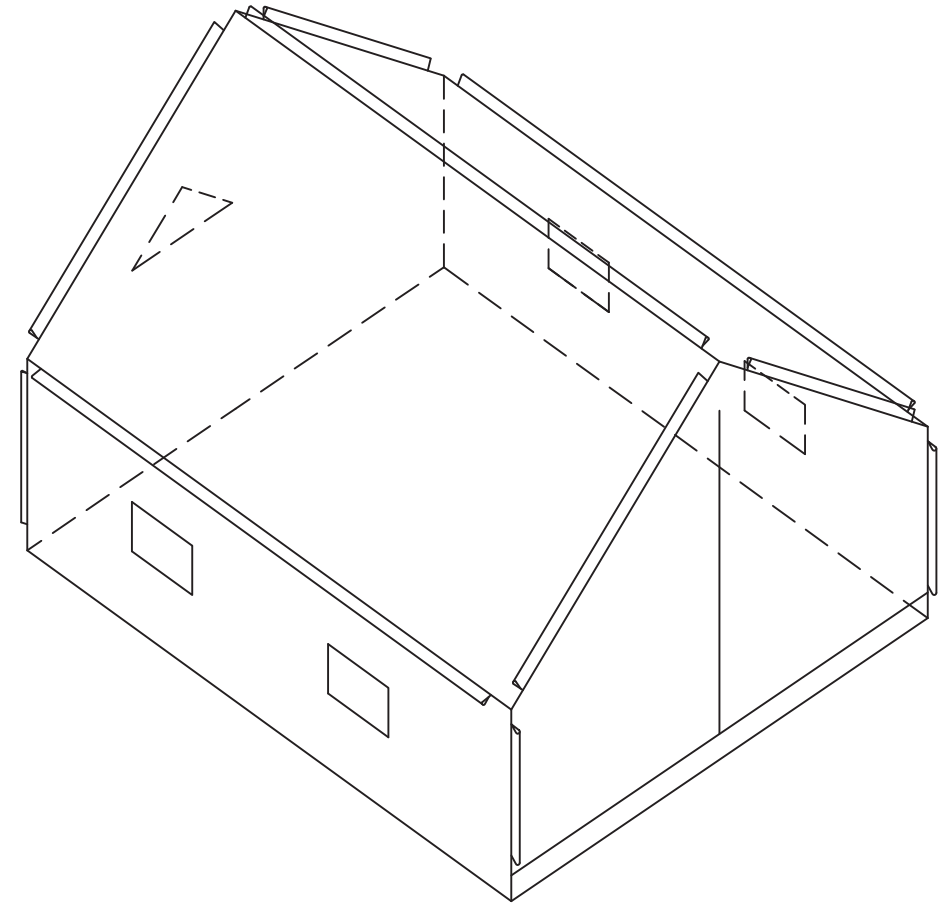
Name	Size (MM)	Quantity (PCS)
Member-φ 90*1995	φ 90*1995	4
Guardrail member-φ 90*1995	φ 90*1995	4
Member-φ 90*2400	φ 90*2400	3
Member-φ 90*2500	φ 90*2500	4
Member-φ 90*2600	φ 90*2600	3
Member-φ 90*2667	φ 90*2667	2
Member-φ 90*3200	φ 90*3200	3
Member-φ 90*3350	φ 90*3350	8
Circular tube-φ 16*1655	φ 16*1655	4
Circular tube-φ 16*2400	φ 16*2400	6
Circular tube-φ 16*2610	φ 16*2610	4

## Material Details

# SOLSTICE I



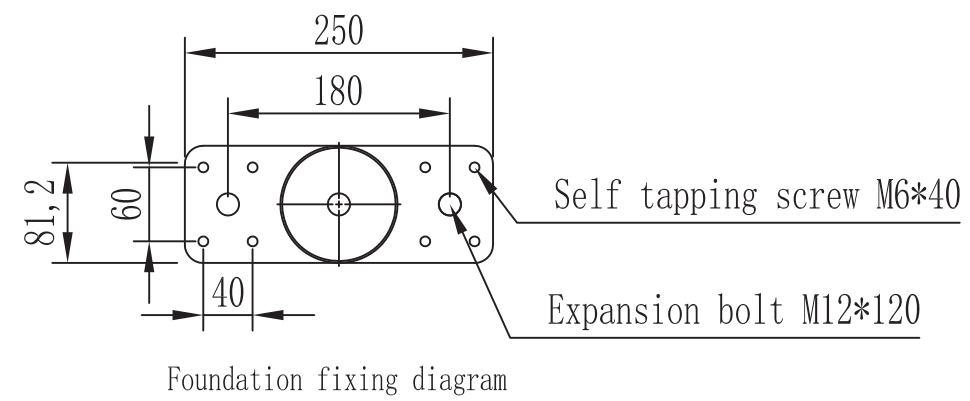
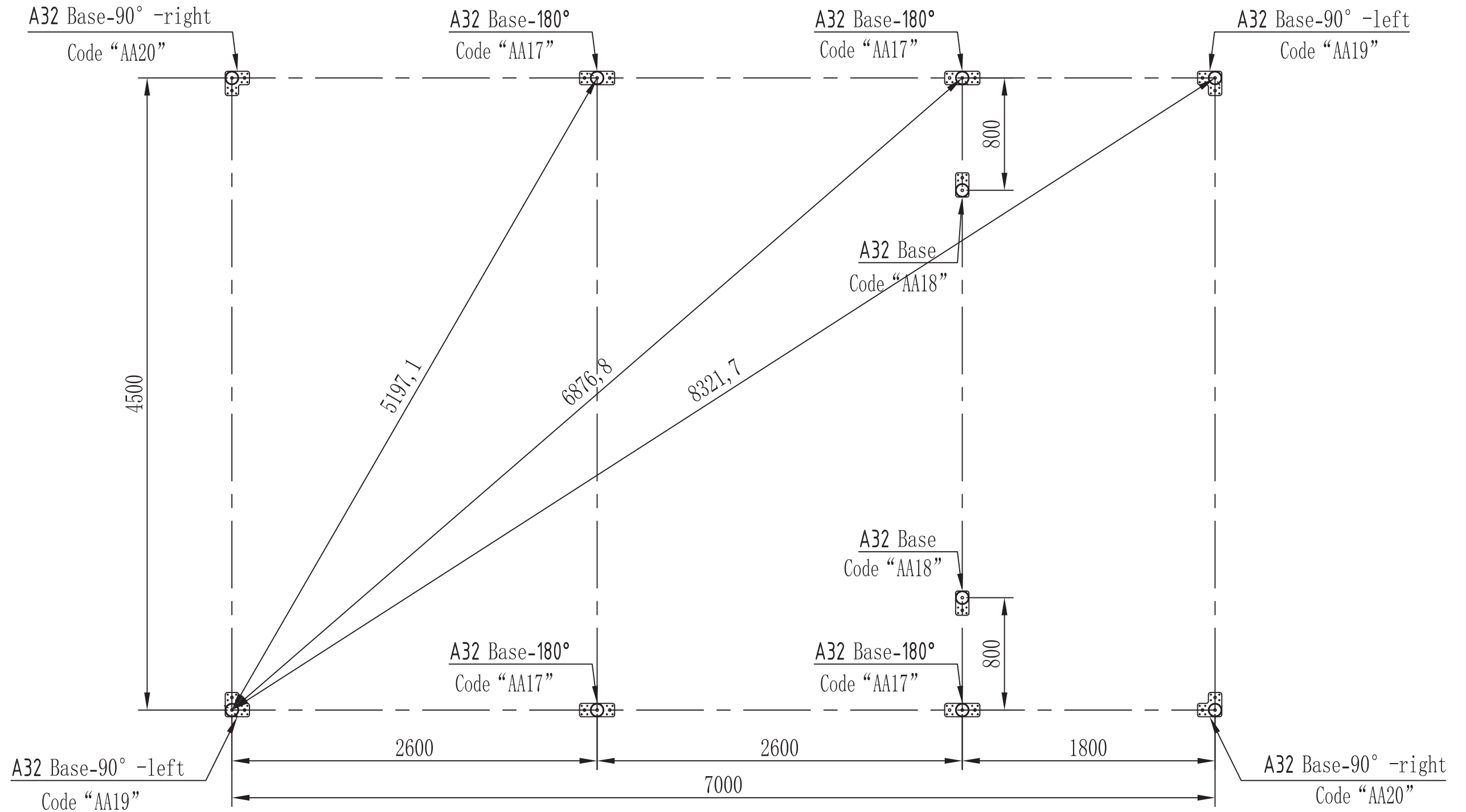
A32-4.5\*7m Tarpaulin 1PCS



A32-4.5\*7m Inner tarpaulin 1PCS

Material Details

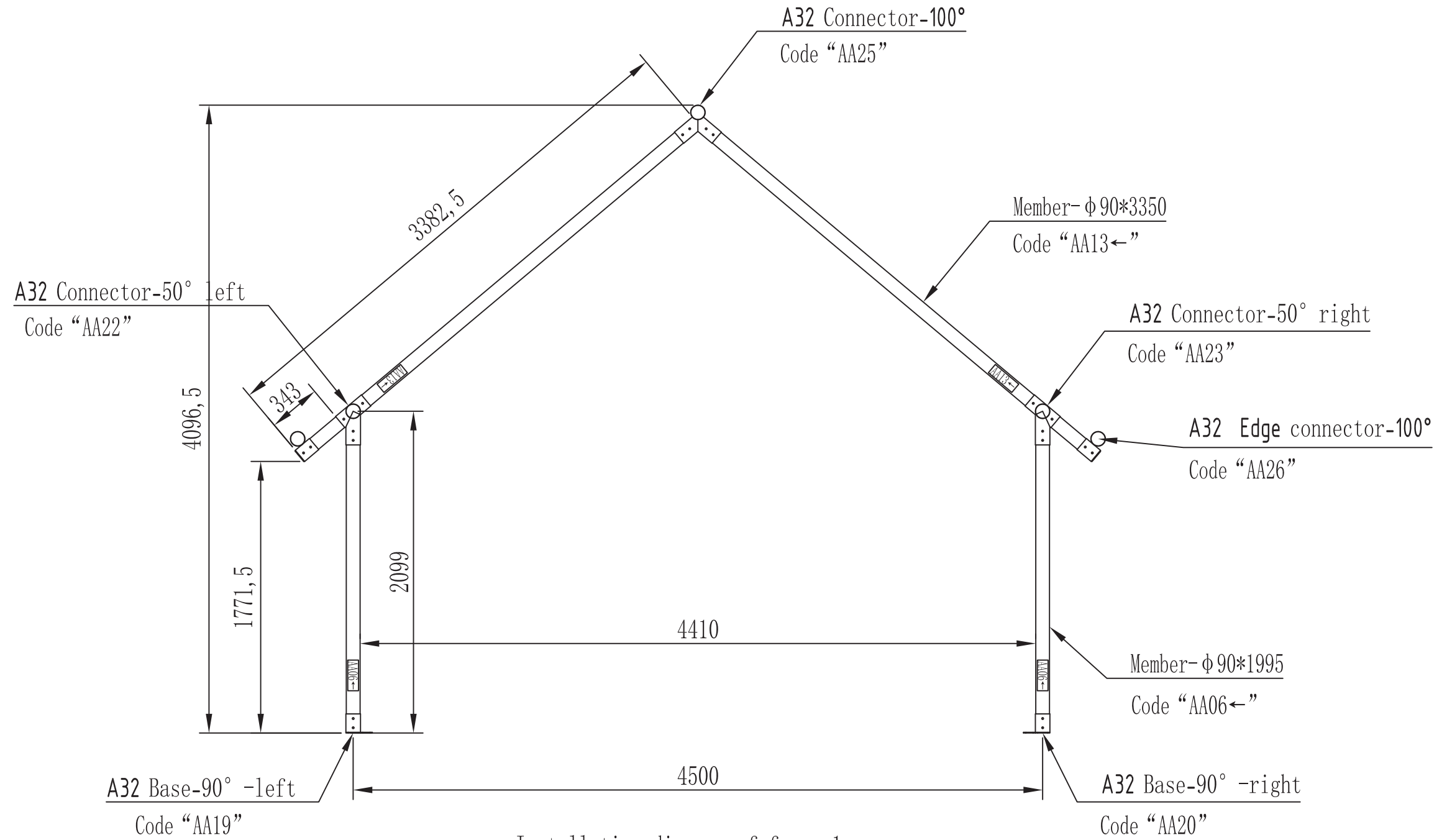
# SOLSTICE I



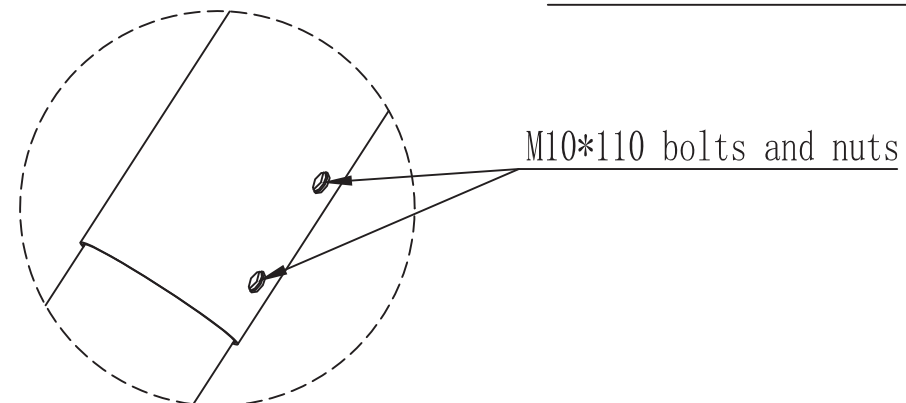
Foundation positioning diagram

Foundation fixing diagram

# SOLSTICE I



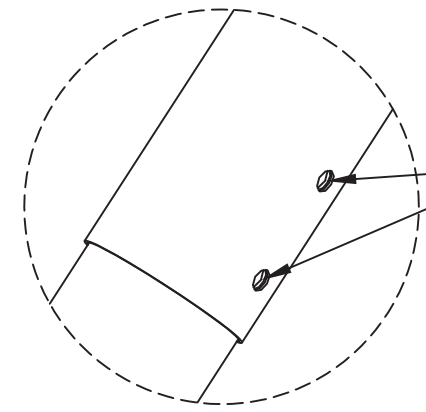
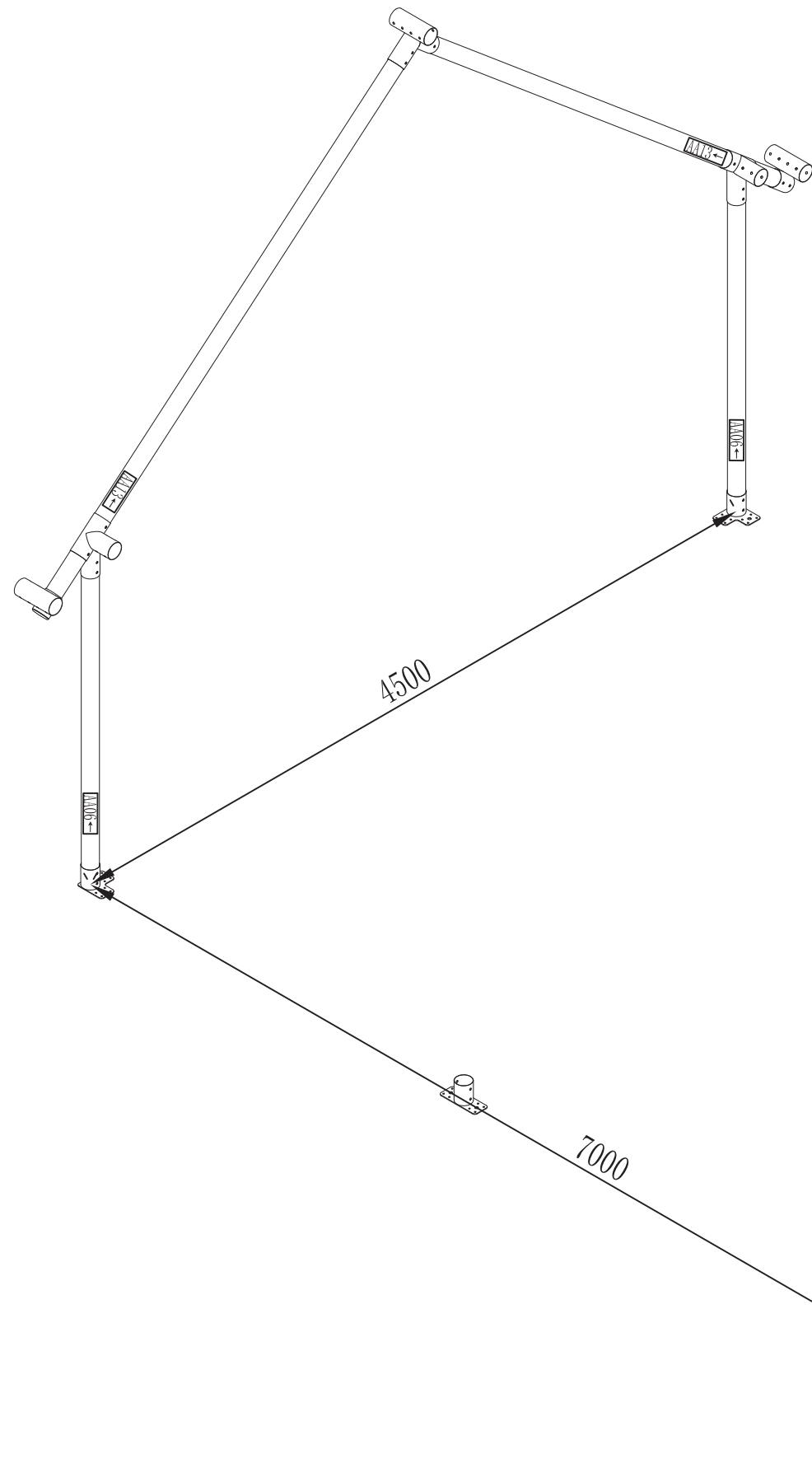
Installation diagram of frame 1



Connection diagram

Frame installation

# SOLSTICE I

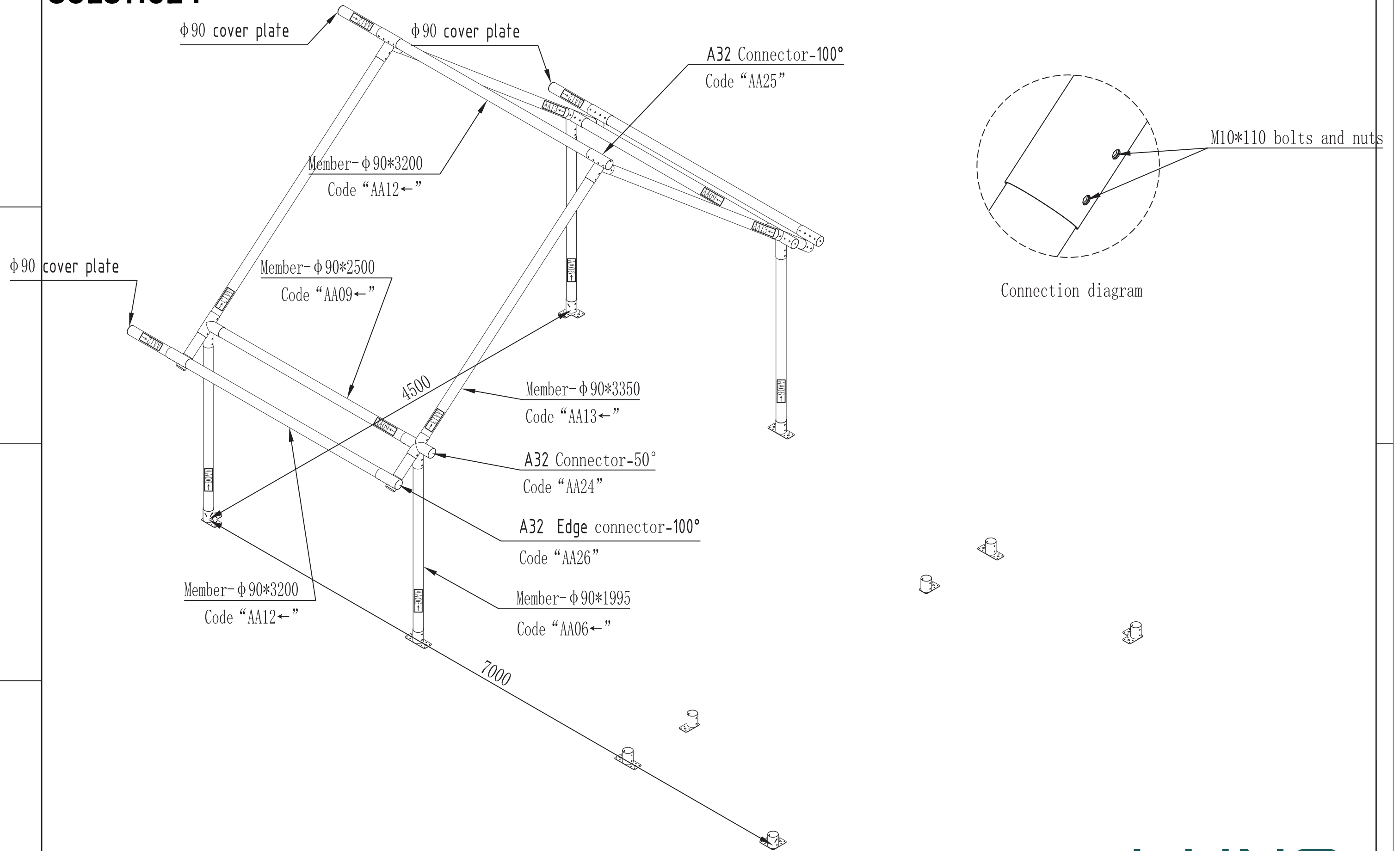


Connection diagram

M10\*110 bolts and nuts

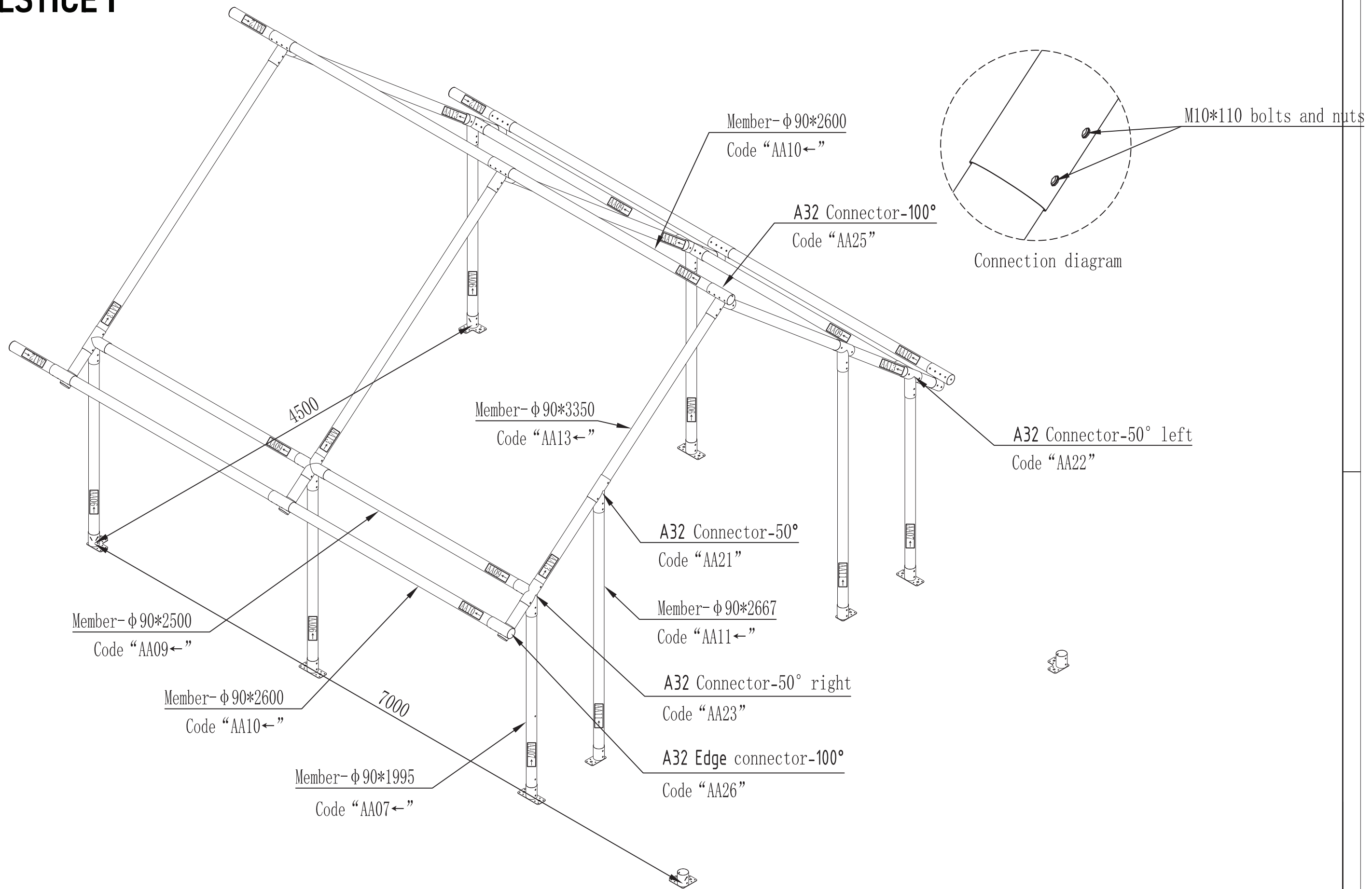
Frame installation

# SOLSTICE I



Frame installation

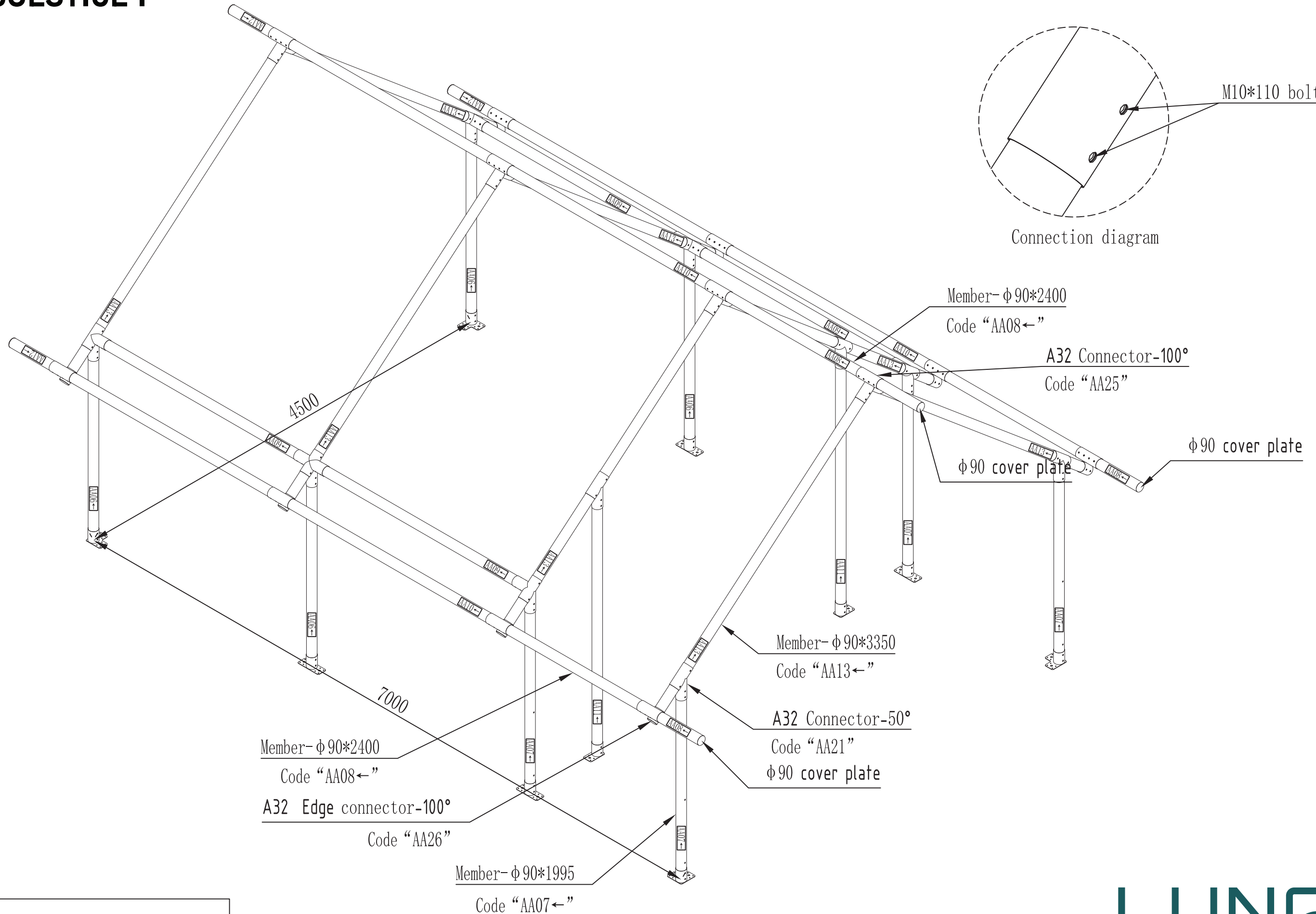
# SOLSTICE I



Frame installation

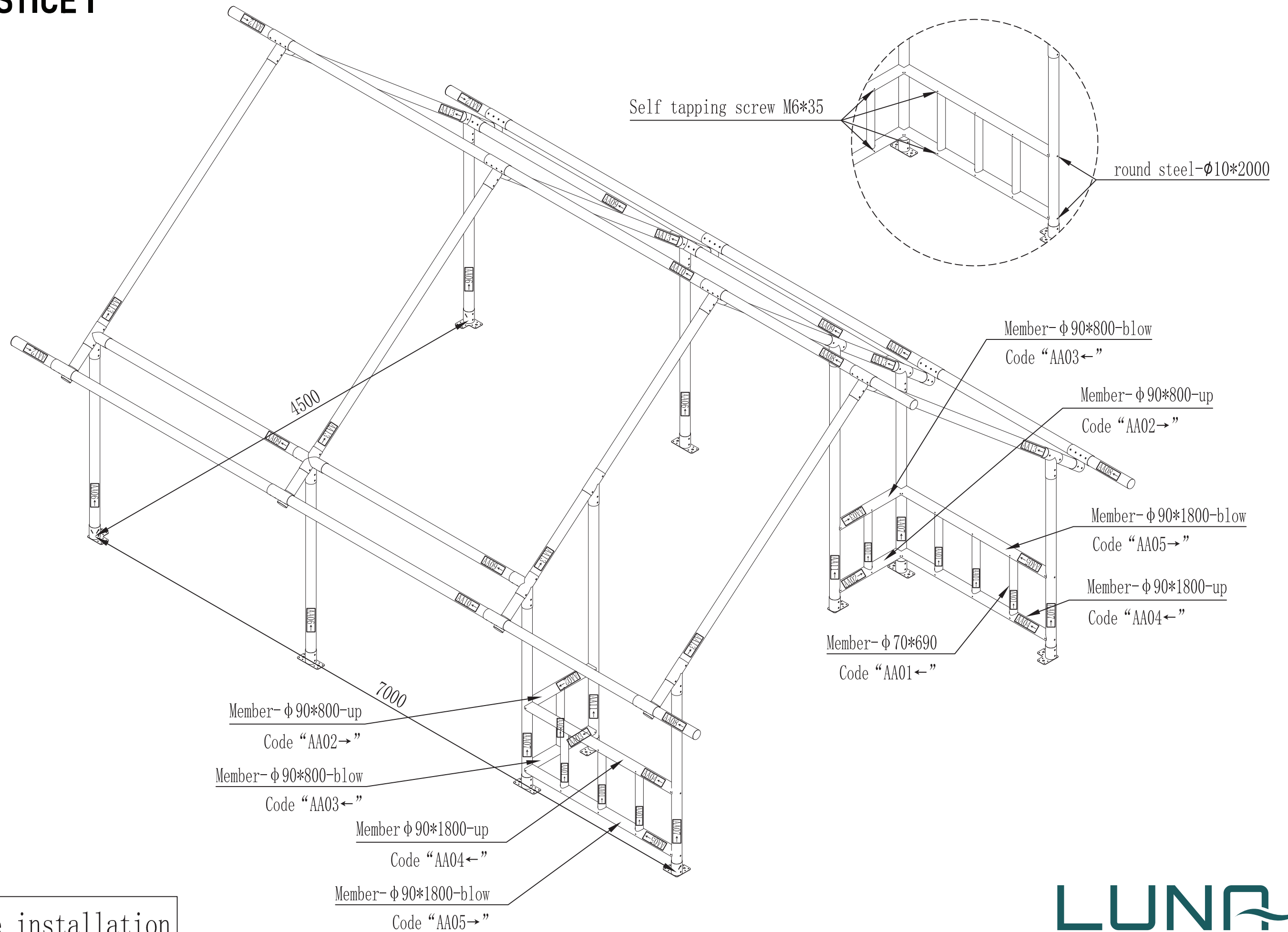


# SOLSTICE I



Frame installation

# SOLSTICE I

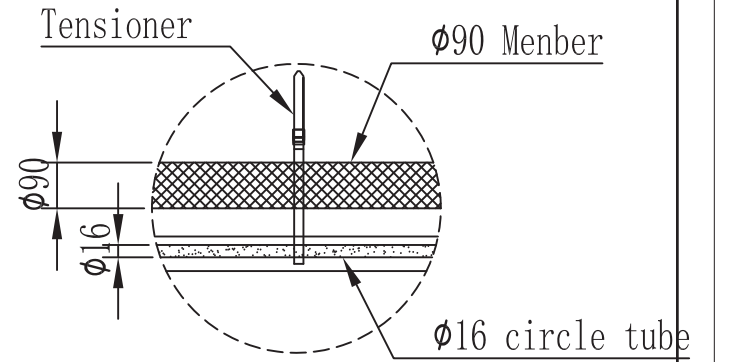


Frame installation

# SOLSTICE I

circle tube  $\phi 16*2610$ , Install 4 places

Circular tube- $\phi 16*2400$



A Installation details

circle tube  $\phi 16*1655$ , Install 4 places

plate-2150\*20

Self tapping screw fixation

Self tapping screw M6\*35

inner tarpulin

20 plate

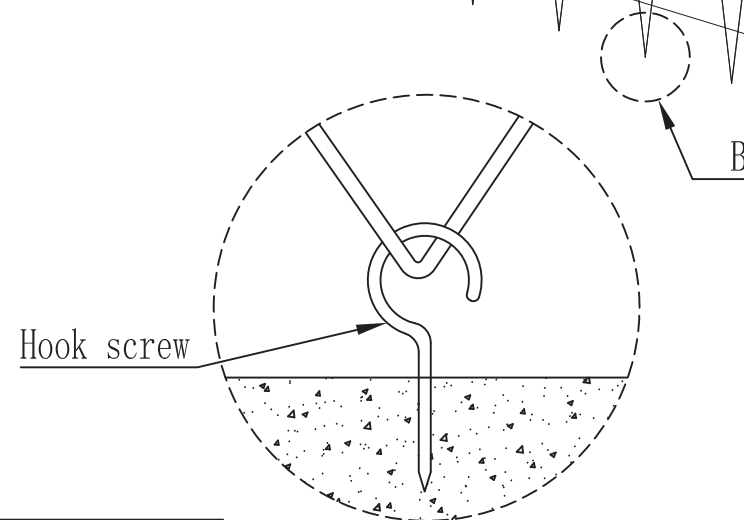
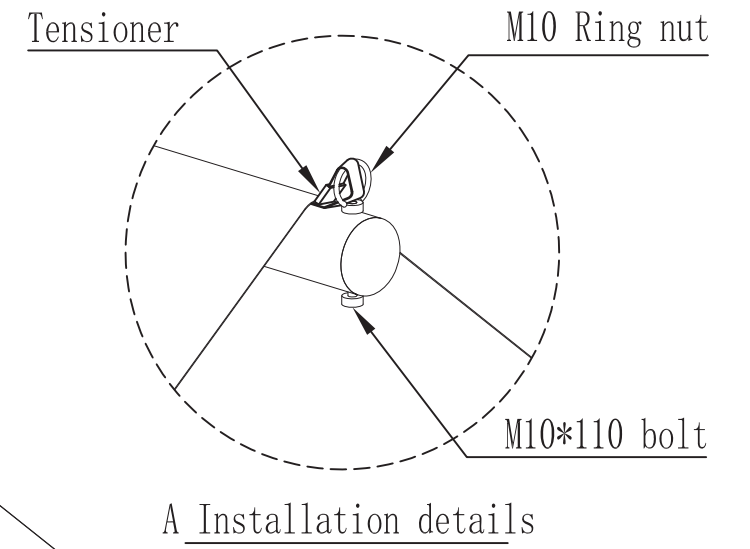
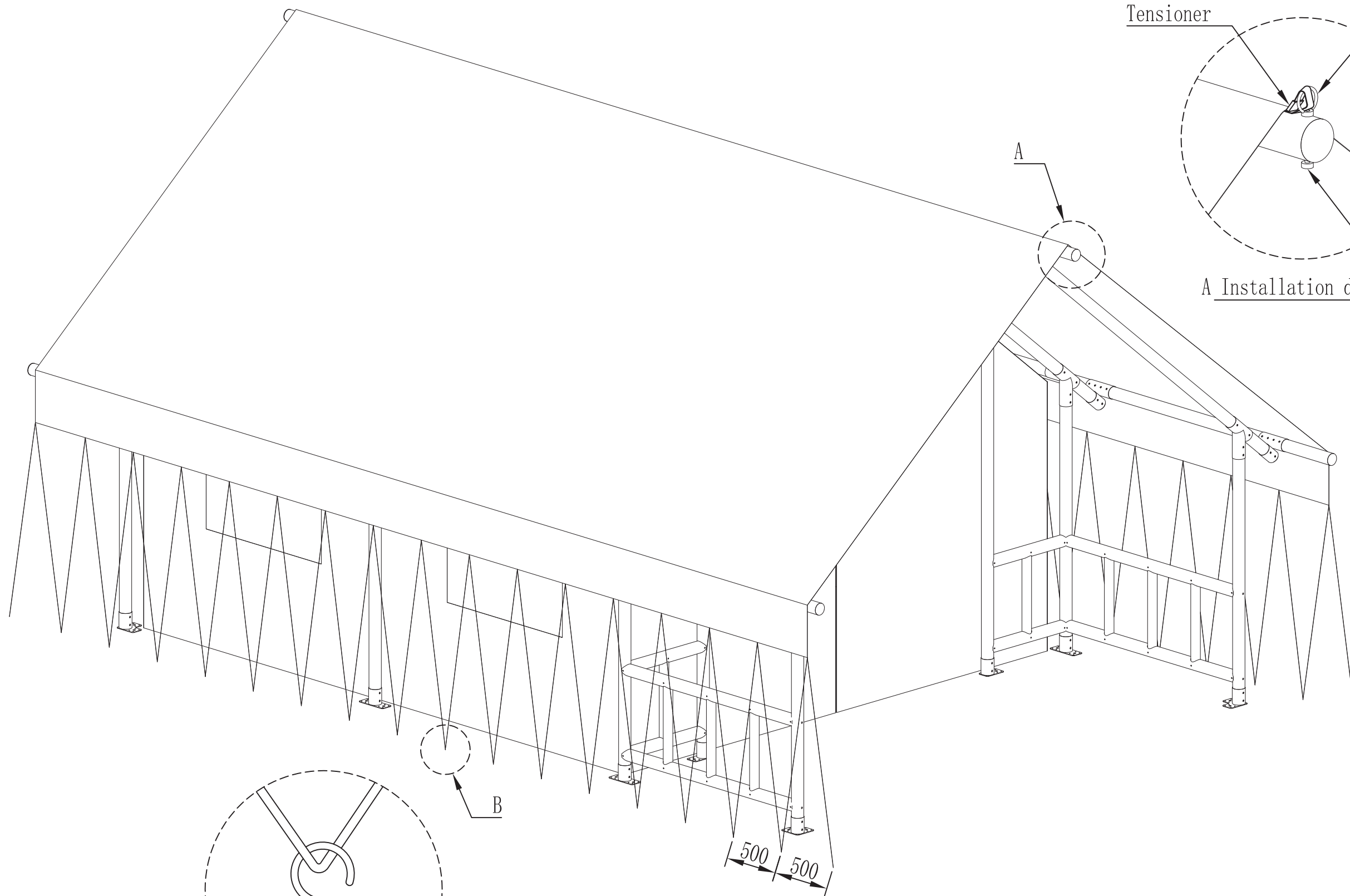
plate-2440\*20

Self tapping screw fixation

inner tarpaulin installation

B Installation details

# SOLSTICE I



tarpaulin installation

B Installation details