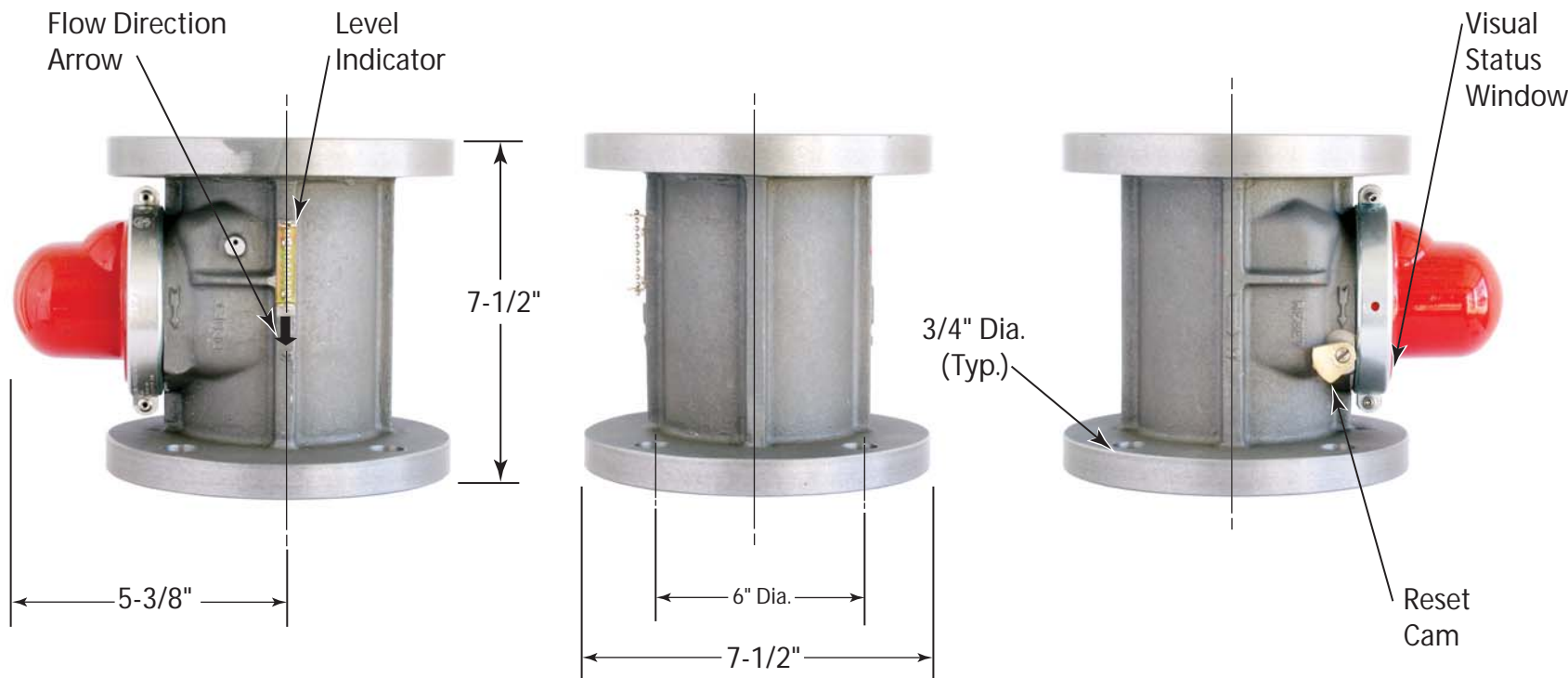


Specifications: Model VT-315F(60) Flanged Valve

Vertical - Top In Flow



Valve Model#	CA-DSA No.	Length	Height	Diameter	Nominal Pipe Size	APPLICATION		Diameter On Center	Diameter Hole (Typ.)	Number of Holes
						Max. Pressure	DATA Fuel			
VT-315F	60-04	5-3/8"	7-1/2"	7-1/2"	3"	60 psi	Dry Fuel Gas	6" Dia.	3/4" Dia.	4

California Seismic Valves are UL listed in the USA and Canada, Certified by the California State Architect's Office, Approved by the City of Los Angeles, and are warranted free of manufacturer's defects for 30 years. All valves meet California Standards for Earthquake Actuated Automatic Gas Shut off Systems, Standard No. 12-23-1, ANSI Z21.70, 1981 and ASCE 25-97 Standards.

Pacific Seismic Products

233 East Avenue H-8 • Lancaster, CA 93535 • USA

Tel (661) 942-4499
 Fax (661) 942-0999
 TF (800) 4-GAS-OFF
www.4GasOff.net

3" Model VT-315F California Seismic Valve

Flanged Vertical - Downward Flow

FLOW CAPACITY TABLE IWC/PSIG - Capacity S.C.F.H.

Merit Rating: Cv 336 (Equivalent Length of Pipe is 10 Feet)

For determining approximate values at selected natural gas pressures to 60 PSIG

Pressure Drop		8" iwc Inlet	14" iwc Inlet	3 psi Inlet	5 psi Inlet	7 psi Inlet	10 psi Inlet	20 psi Inlet	60 psi Inlet
PSI	IWC								
.0036	0.1	5,793	5,834	6,292	6,638	6,967	7,433	8,810	12,927
.0072	0.2	8,192	8,250	8,897	9,386	9,851	10,511	12,459	18,281
.0108	0.3	10,032	10,103	10,895	11,495	12,064	12,872	15,258	22,390
.0144	0.4	11,582	11,665	12,579	13,272	13,930	14,862	17,618	25,853
.0180	0.5	12,948	13,040	14,063	14,837	15,573	16,615	19,696	28,903
.0216	0.6	14,182	14,283	15,403	16,251	17,057	18,200	21,575	31,661
.0252	0.7	15,316	15,426	16,636	17,552	18,423	19,657	23,302	34,197
.0288	0.8	16,372	16,489	17,783	18,762	19,693	21,012	24,910	36,558
.0324	0.9	17,363	17,487	18,859	19,898	20,886	22,285	26,419	38,774
.0360	1.0	18,300	18,431	19,877	20,973	22,014	23,489	27,847	40,871
.0720	2.0	25,849	26,034	28,082	29,633	31,106	33,194	39,361	57,786
.1080	3.0	31,620	31,847	34,359	36,259	38,066	40,625	48,183	70,756
.1440	4.0	36,468	36,731	39,633	41,830	43,918	46,875	55,607	81,682
.1800	5.0	40,724	41,017	44,266	46,725	49,060	52,369	62,139	91,301

Vertical Valves



		Sizes Available														Ambient Temperature	
		NPT								Flanged						UL -40° to 150° F CA DSA: -10° to 150°F	
		3/4"	1"	1 1/4"	1 1/2"	2"	2 1/2"	3"	4"	2"	2 1/2"	3"	4"	6"	8"		
Maximum Pressures of Available Sizes	7 psi	✓	✓	✓	✓												Fluid
	60 psi	✓	✓	✓	✓	✓	✓	✓	✓	✓	✓	✓	✓	✓	✓	Natural gas LP gas	