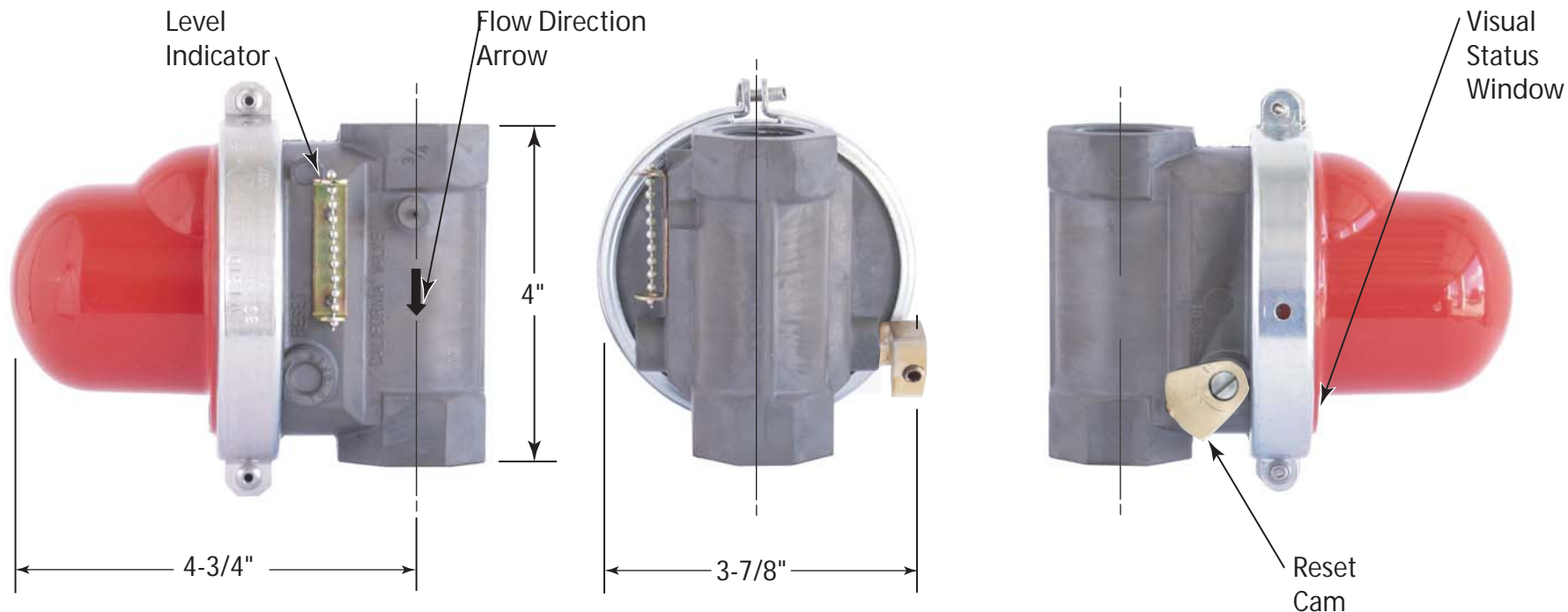


Specifications: Model VT-310(60) NPT Valve

Vertical - Top In Flow



Valve Model#	CA-DSA No.	Length	Height	Width	Nominal Pipe Size	Threads Per Inch	APPLICATION	DATA
							Max. Pressure	Fuel
VT-310	60-03	4-3/4"	4"	3-7/8"	3/4"	14	60 psi	Dry Fuel Gas

California Seismic Valves are UL listed in the USA and Canada, Certified by the California State Architect's Office, Approved by the City of Los Angeles, and are warranted free of manufacturer's defects for 30 years. All valves meet California Standards for Earthquake Actuated Automatic Gas Shut off Systems, Standard No. 12-23-1, ANSI Z21.70, 1981 and ASCE 25-97 Standards.

Pacific Seismic Products

233 East Avenue H-8 • Lancaster, CA 93535 • USA

Tel (661) 942-4499
 Fax (661) 942-0999
 TF (800) 4-GAS-OFF
www.4GasOff.net

3/4" Model VT-310 California Seismic Valve

Threaded Vertical - Downward Flow

FLOW CAPACITY TABLE IWC/PSIG - Capacity S.C.F.H.

Merit Rating: Cv 21 (Equivalent Length of Pipe is 3 Feet)

For determining approximate values at selected natural gas pressures to

Pressure Drop		8" iwc Inlet	14" iwc Inlet	3 psi Inlet	5 psi Inlet	7 psi Inlet	10 psi Inlet	20 psi Inlet	60 psi Inlet
PSI	IWC								
.0036	0.1	362	365	393	415	435	465	551	808
.0072	0.2	512	516	556	587	616	657	779	1,143
.0108	0.3	627	631	681	718	754	804	954	1,399
.0144	0.4	724	729	786	829	871	929	1,101	1,616
.0180	0.5	809	815	879	927	973	1,038	1,231	1,806
.0216	0.6	886	893	963	1,016	1,066	1,137	1,348	1,979
.0252	0.7	957	964	1,040	1,097	1,151	1,229	1,456	2,137
.0288	0.8	1,023	1,031	1,111	1,173	1,231	1,313	1,557	2,285
.0324	0.9	1,085	1,093	1,179	1,244	1,305	1,393	1,651	2,423
.0360	1.0	1,144	1,152	1,242	1,311	1,376	1,468	1,740	2,554
.0720	2.0	1,616	1,627	1,755	1,852	1,944	2,075	2,460	3,612
.1080	3.0	1,976	1,990	2,147	2,286	2,379	2,539	3,011	4,422
.1440	4.0	2,279	2,296	2,477	2,614	2,745	2,930	3,475	5,105
.1800	5.0	2,545	2,564	2,767	2,920	3,066	3,273	3,884	5,706

Vertical Valves



		Sizes Available														Ambient Temperature	
		NPT								Flanged						UL -40° to 150° F CA DSA: -10° to 150°F	Fluid
		3/4"	1"	1 1/4"	1 1/2"	2"	2 1/2"	3"	4"	2"	2 1/2"	3"	4"	6"	8"		
Maximum Pressures of Available Sizes	7 psi	✓	✓	✓	✓												
	60 psi	✓	✓	✓	✓	✓	✓	✓	✓	✓	✓	✓	✓	✓	✓		
																	Natural gas
																	LP gas