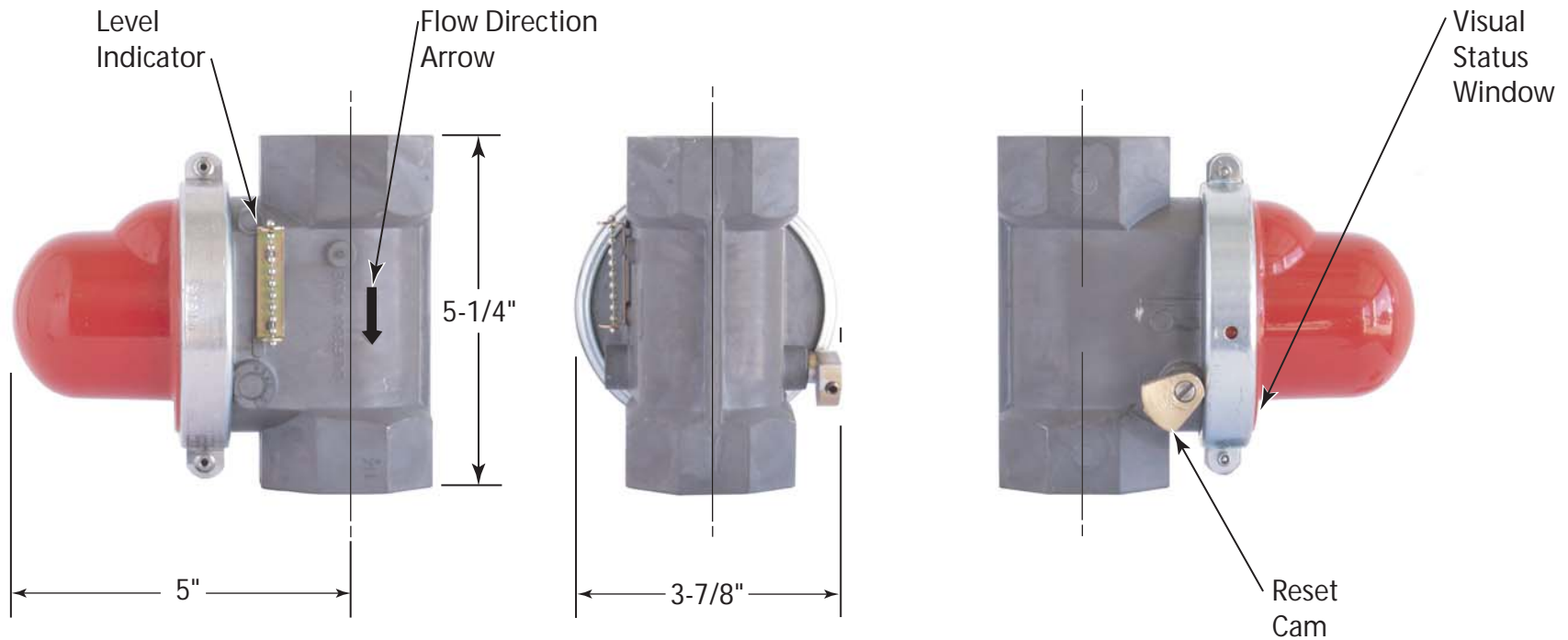


Specifications: Model VT-303(7) NPT Valve

Vertical - Top In Flow



| Valve Model# | CA-DSA No. | Length | Height | Width | Nominal Pipe Size | Threads Per Inch | APPLICATION | |
|--------------|------------|--------|--------|--------|-------------------|------------------|---------------|--------------|
| | | | | | | | Max. Pressure | DATA Fuel |
| VT-303(7) | 60-03 | 5" | 5-1/4" | 3-7/8" | 1-1/2" | 11-1/2 | 7.0 psi | Dry Fuel Gas |

California Seismic Valves are UL listed in the USA and Canada, Certified by the California State Architect's Office, Approved by the City of Los Angeles, and are warranted free of manufacturer's defects for 30 years. All valves meet California Standards for Earthquake Actuated Automatic Gas Shut off Systems, Standard No. 12-23-1, ANSI Z21.70, 1981 and ASCE 25-97 Standards.

Pacific Seismic Products

233 East Avenue H-8 • Lancaster, CA 93535 • USA

Tel (661) 942-4499
 Fax (661) 942-0999
 TF (800) 4-GAS-OFF
www.4GasOff.net

