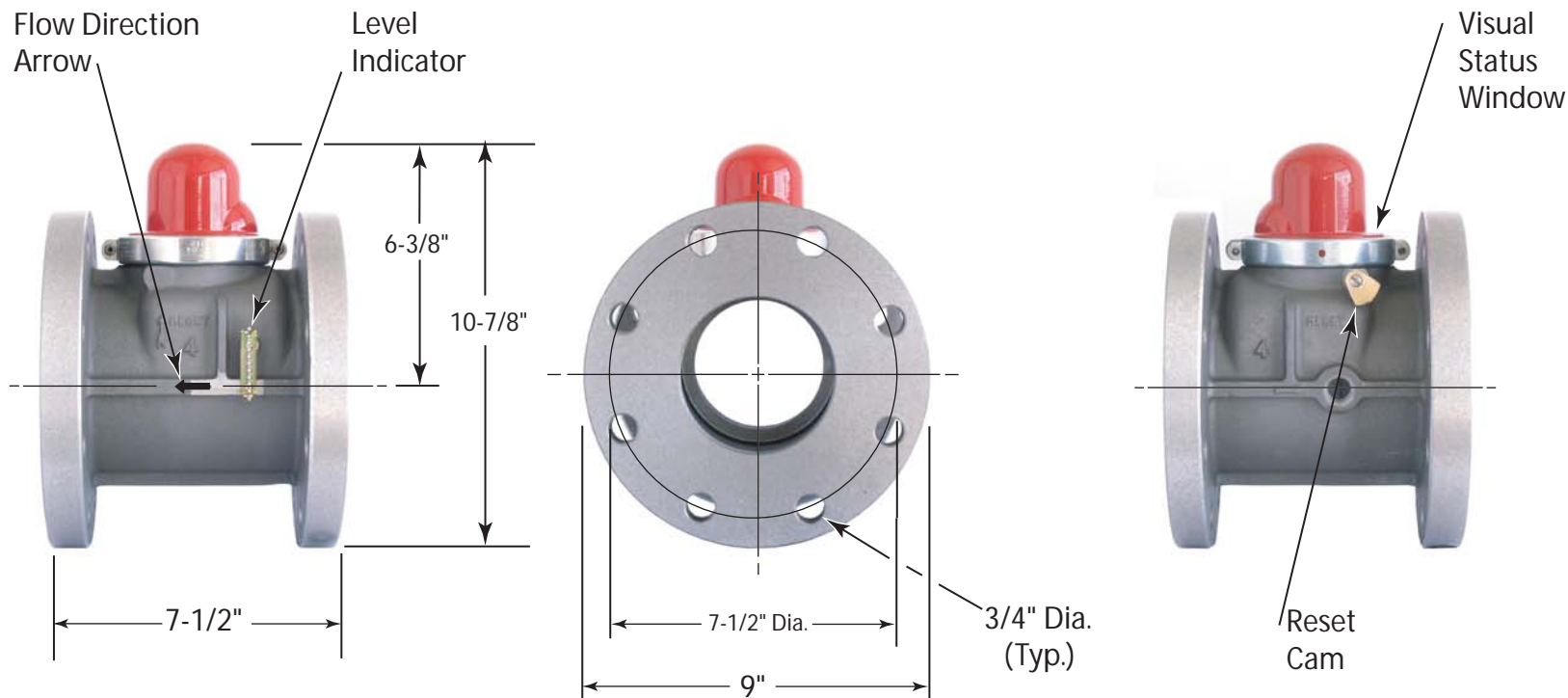


# Specifications: Model 316F(60) Flanged Valve Horizontal Flow



| Valve Model# | CA-DSA No. | Length | Height | Diameter | Nominal Pipe Size | APPLICATION   | DATA         | Diameter On Center | Diameter Hole (Typ.) | Number of Holes |
|--------------|------------|--------|--------|----------|-------------------|---------------|--------------|--------------------|----------------------|-----------------|
|              |            |        |        |          |                   | Max. Pressure | Fuel         |                    |                      |                 |
| 316F         | 45R-113R   | 7-1/2" | 6-3/8" | 9"       | 4"                | 60 psi        | Dry Fuel Gas | 7-1/2" Dia.        | 3/4" Dia.            | 8               |

California Seismic Valves are UL listed in the USA and Canada, Certified by the California State Architect's Office, Approved by the City of Los Angeles, and are warranted free of manufacturer's defects for 30 years. All valves meet California Standards for Earthquake Actuated Automatic Gas Shut off Systems, Standard No. 12-23-1, ANSI Z21.70, 1981 and ASCE 25-97 Standards.

**Pacific Seismic Products**

233 East Avenue H-8 • Lancaster, CA 93535 • USA

Tel (661) 942-4499  
 Fax (661) 942-0999  
 TF (800) 4-GAS-OFF  
[www.4GasOff.net](http://www.4GasOff.net)

# 4" Model 316F California Seismic Valve

## Flanged Horizontal

### FLOW CAPACITY TABLE IWC/PSIG - Capacity S.C.F.H.

Merit Rating: Cv 480 (Equivalent Length of Pipe is 13 Feet)

For determining approximate values at selected natural gas pressures to 60 PSIG

| Pressure Drop |     | 8" iwc Inlet | 14" iwc Inlet | 3 psi Inlet | 5 psi Inlet | 7 psi Inlet | 10 psi Inlet | 20 psi Inlet | 60 psi Inlet |
|---------------|-----|--------------|---------------|-------------|-------------|-------------|--------------|--------------|--------------|
| PSI           | IWC |              |               |             |             |             |              |              |              |
| .0036         | 0.1 | 8,276        | 8,335         | 8,988       | 9,482       | 9,952       | 10,618       | 12,586       | 18,467       |
| .0072         | 0.2 | 11,702       | 11,786        | 12,710      | 13,409      | 14,073      | 15,015       | 17,798       | 26,116       |
| .0108         | 0.3 | 14,331       | 14,433        | 15,564      | 16,421      | 17,235      | 18,389       | 21,797       | 31,985       |
| .0144         | 0.4 | 16,546       | 16,664        | 17,970      | 18,960      | 19,900      | 21,232       | 25,168       | 36,932       |
| .0180         | 0.5 | 18,497       | 18,629        | 20,090      | 21,195      | 22,247      | 23,736       | 28,137       | 41,290       |
| .0216         | 0.6 | 20,260       | 20,404        | 22,005      | 23,216      | 24,368      | 26,000       | 30,821       | 45,230       |
| .0252         | 0.7 | 21,880       | 22,036        | 23,765      | 25,074      | 26,318      | 28,081       | 33,289       | 48,853       |
| .0288         | 0.8 | 23,388       | 23,555        | 25,404      | 26,803      | 28,133      | 30,017       | 35,585       | 52,225       |
| .0324         | 0.9 | 24,804       | 24,981        | 26,942      | 28,426      | 29,837      | 31,836       | 37,742       | 55,392       |
| .0360         | 1.0 | 26,143       | 26,329        | 28,396      | 29,961      | 31,448      | 33,556       | 39,782       | 58,387       |
| .0720         | 2.0 | 36,927       | 37,191        | 40,118      | 42,333      | 44,438      | 47,420       | 56,230       | 82,551       |
| .1080         | 3.0 | 45,172       | 45,496        | 49,084      | 51,799      | 54,379      | 58,035       | 68,832       | 101,080      |
| .1440         | 4.0 | 52,098       | 52,472        | 56,619      | 59,758      | 62,740      | 66,964       | 79,439       | 116,689      |
| .1800         | 5.0 | 58,177       | 58,596        | 63,237      | 66,750      | 70,086      | 74,813       | 88,769       | 130,430      |



### Horizontal Valves

|                                      |        | Sizes Available |    |        |        |    |        |    |    |         |        |    |    |    |    | Ambient Temperature                           |  |
|--------------------------------------|--------|-----------------|----|--------|--------|----|--------|----|----|---------|--------|----|----|----|----|---|--|
|                                      |        | NPT             |    |        |        |    |        |    |    | Flanged |        |    |    |    |    |   |  |
|                                      |        | 3/4"            | 1" | 1 1/4" | 1 1/2" | 2" | 2 1/2" | 3" | 4" | 2"      | 2 1/2" | 3" | 4" | 6" | 8" | UL -40° to 150° F<br>CA DSA:<br>-10° to 150°F |  |
| Maximum Pressures of Available Sizes | 7 psi  | ✓               | ✓  | ✓      | ✓      |    |        |    |    |         |        |    |    |    |    |   |  |
|                                      | 60 psi | ✓               | ✓  | ✓      | ✓      | ✓  | ✓      | ✓  | ✓  | ✓       | ✓      | ✓  | ✓  | ✓  |    |   |  |
| Fluid                                |        |                 |    |        |        |    |        |    |    |         |        |    |    |    |    |   |  |
| Natural gas<br>LP gas                |        |                 |    |        |        |    |        |    |    |         |        |    |    |    |    |   |  |