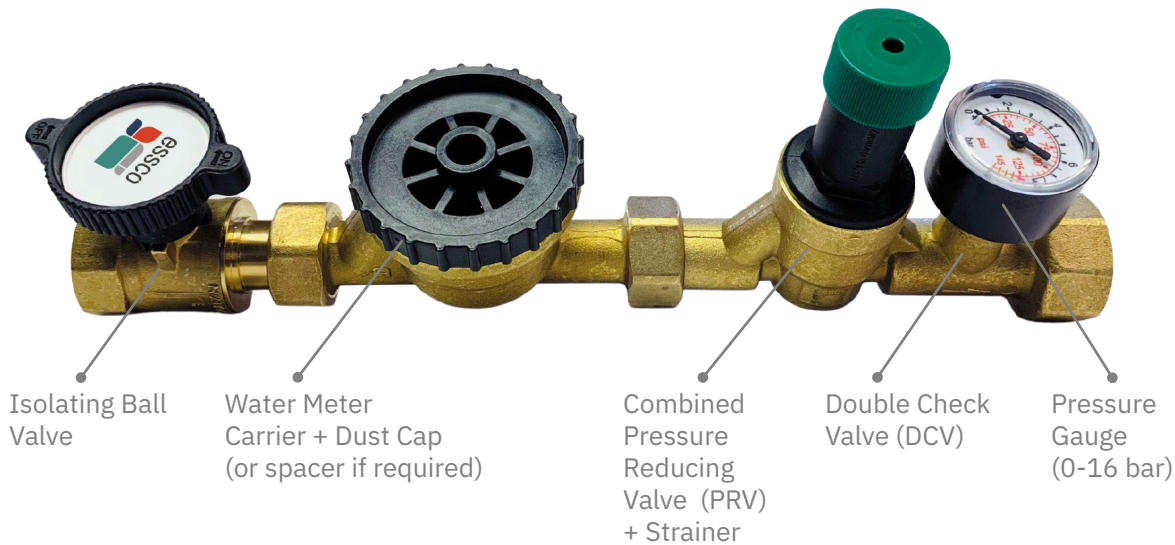


Water Meter Assembly (WMA)

For the control and measurement of cold-water supply



ESSCO
FIT & FORGET



Overview

The ESSCO WMA provides control and measurement of the cold-water supply to multi-dwelling buildings, such as apartments and office blocks.

Available with either water meter carrier or spacer, the WMA can be fitted with any approved water meter to match project specification.

Available in 3/4" or 1" BSP female variants, the WMA is supplied with insulation as standard.



WMA with insulation

Features and benefits

- Compact and space saving (half the size of traditional branch valve assemblies)
- Water Regulations Approval Scheme (WRAS) approved for peace of mind
- Easy to install, either horizontally or vertically
- Position of water meter can be adjusted to suit, making it easy to read the display
- Supplied pre-tested to save time on site
- Robust, with minimal service and maintenance requirements
- Supplied with carrier, ready to fit any approved water meter (or with 80-110mm spacer where required)
- Dust cap on water meter carrier protects from contamination during installation*
- Supplied with insulation as standard, which provides protection and reduces heat loss and risk of condensation

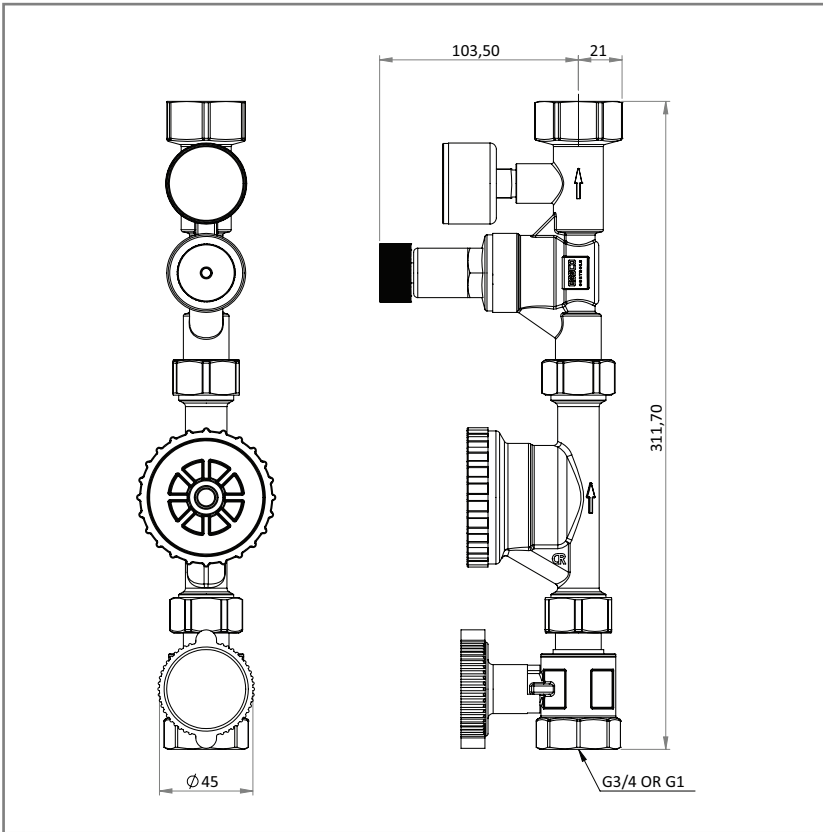
Water regulations

Current Regulations stipulate the requirement for both Service Valves and Double Check Valves on each level of a multi-floor dwelling. Clause R15.24.1 requires precautions to be taken to prevent or limit back flow in supply pipes. Clause R15.24.3 recommends additional protection be installed at every floor. Assuming the backflow risk is Category 3 or below a DCV assembly can be installed downstream of the service valve. ESSCO's water meter assembly is fully compliant with current water regulations.

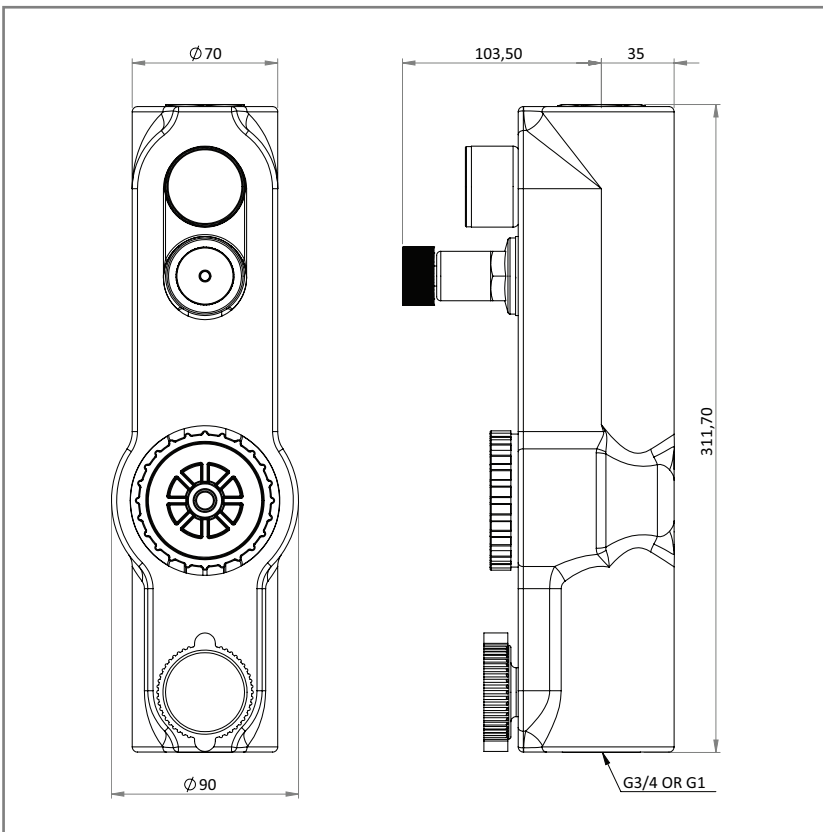
* Please note this provides temporary protection only and must be removed and replaced with a meter before commissioning.

Dimensions

WMA with Water Meter Carrier

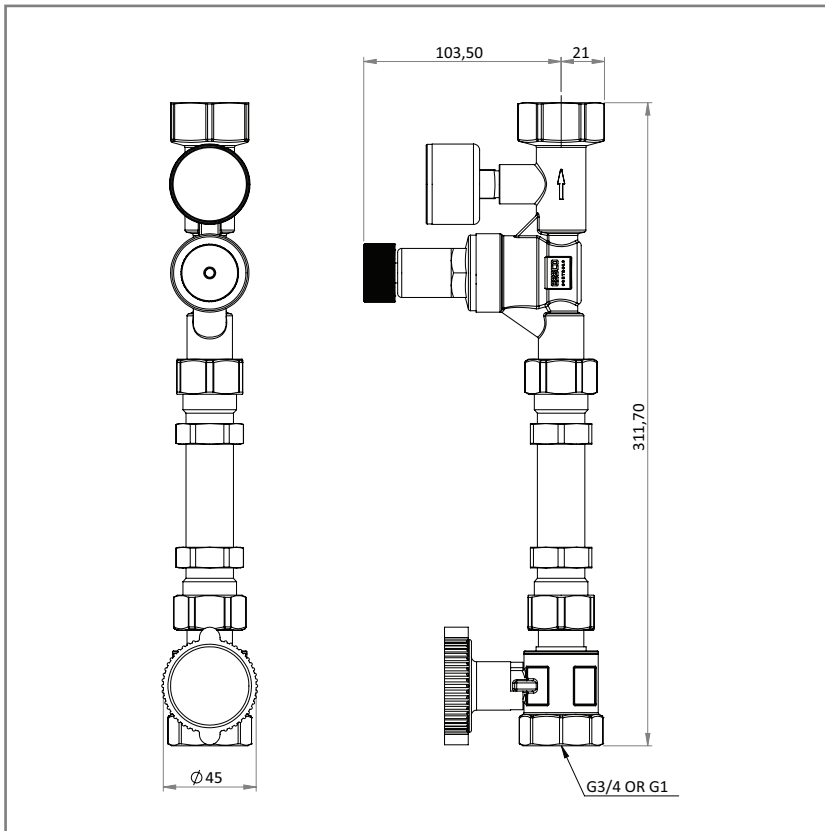


WMA with Water Meter Carrier and Insulation

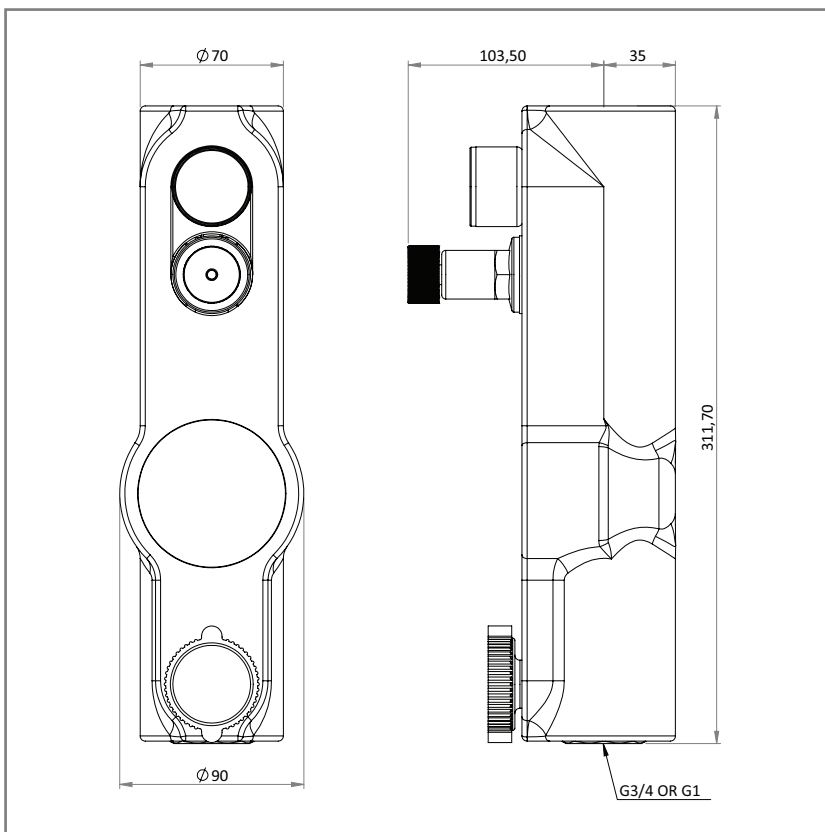


Dimensions

WMA with Spacer



WMA with Spacer and Insulation



Download the Installation, Operation & Maintenance Manual by scanning the QR code below.





Technical Specification

Specification

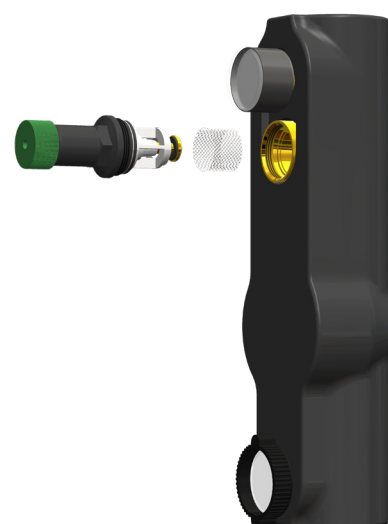
Medium	DCW / Potable water
Min. working pressure	1 bar
Max. working pressure	PN16
Outlet adjustable pressure	1.5 – 6 bar
Pre-set outlet pressure	4 bar
Optimum PRV reduction ratio	2:1
Maximum pressure reduction ratio	3:1
Recommended velocity range for avoidance of noise	1 – 2 m/s
Working temperature range	5 – 85°C
Strainer size	350 Micron
Connections	¾" BSP or 1" BSP
Water meter carrier connection	DN40 internal thread (screwed)
Installation	Vertical or horizontal
Approvals	Water Regulations Approval Scheme (WRAS) Certificate No. 2110358



Water Meter Carrier

Materials

Component	Material	Grade
Body	Brass	CW602N
Strainer mesh	Stainless Steel	AISI304
O-rings + flat seals	Rubber	EPDM
Ball valve	Brass	CW617N
Ball valve seal	Plastic	PTFE
Ball valve stem	Brass	CW614N
Ball valve handle	Plastic	Nylon 60% glass fibre
Insulation Shell	Plastic	PE
Water Carrier Cap	Plastic	Technyl A
Water Meter Spacer	Plastic	Radilon A



Strainer Location

Specification text

PN16 rated DZR Brass (CW602N) Water Meter Assembly (WMA), suitable for potable water applications with water temperatures from 5 to 85°C.

Available with 110mm water meter carrier, or 80mm/110mm meter spacer to accommodate the meter specified for the installation. Assembly to include isolation valve, meter carrier / spacer, combined pressure reducing valve and strainer compact assembly, double check valve (DCV) and 16 bar pressure gauge. Insulation to be supplied as standard, with integral access for isolation and servicable components.

Valve assembly must be labelled after commissioning using Essco WMA Label Tag to ensure correct apartment installation number and cold water pressure set on WMA outlet.

Product codes

Standard WMA with 110mm carrier:

ESS-90501035-CARRIER (¾")
ESS-90501101-CARRIER (1")

WMA with 80mm spacer:

ESS-90501034 (¾")
ESS-90501100 (1")

WMA with 110mm spacer:

ESS-90501035 (¾")
ESS-90501101 (1")

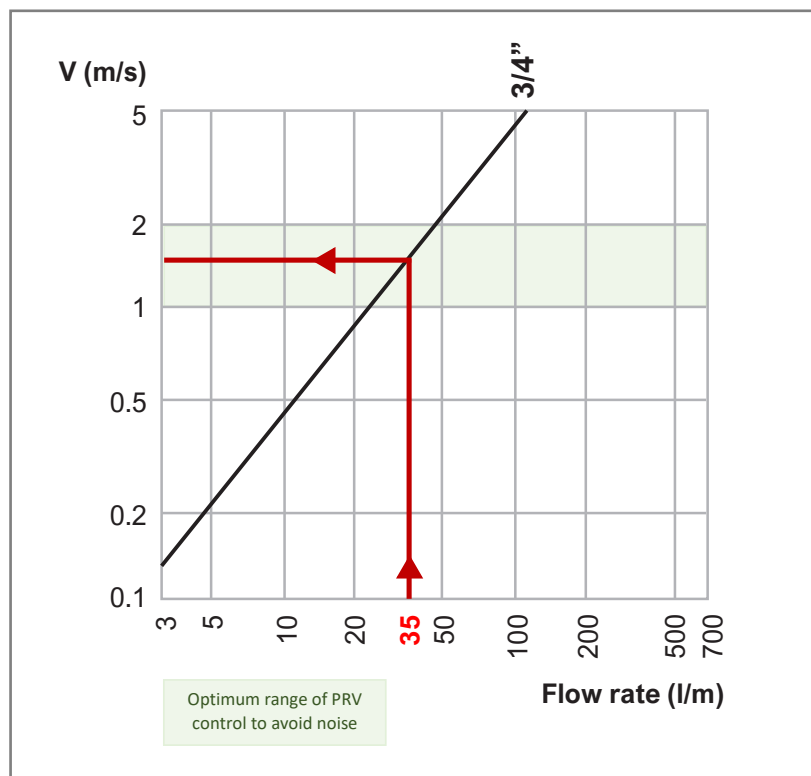
WMA carrier suitable for

Class D meters:
ESS-WM-CARRIER



Technical Specification

Flow rates



Application Example

Typical Water Meter Assembly Installation



Without insulation



With insulation

WMAs are available from your chosen distributor, place an order today.

If you are a distributor, request a quotation by emailing sales@esscogroup.co.uk or call us on **01489 779068**.