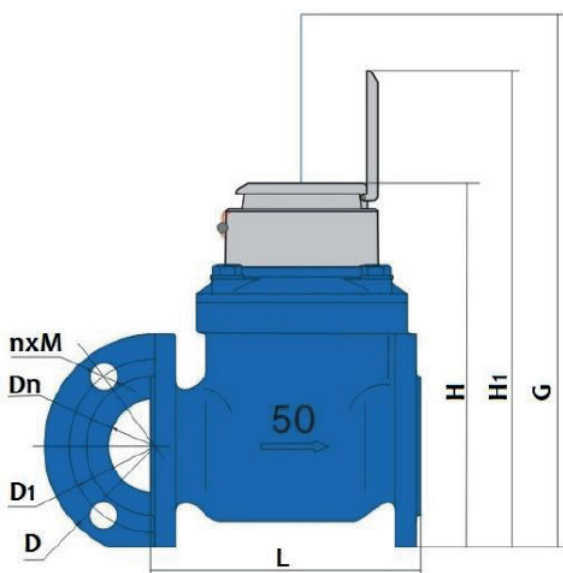


# Woltmann Water Meter

- Cold (30°C) - MID Approved, MI-001 R80, Class 2, WRAS Approved
- Hot (90°C) - Factory Tested to MID Standards, ISO4064 Class B
- Super Dry, Sealed Register
- Suitable up to 16 Bar Working Pressure
- Pulse Output Supplied as Standard

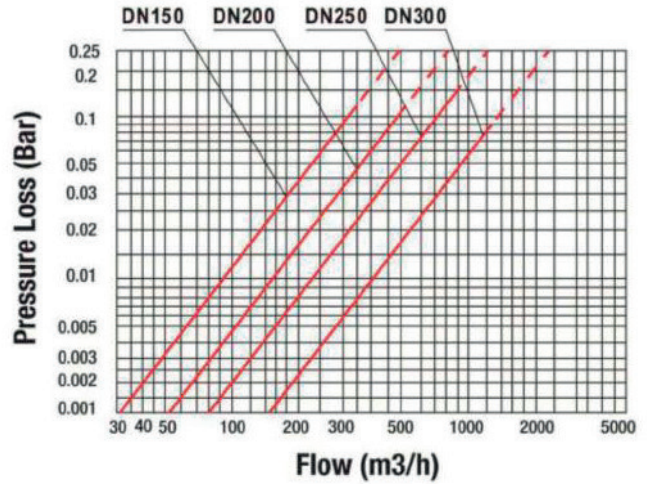
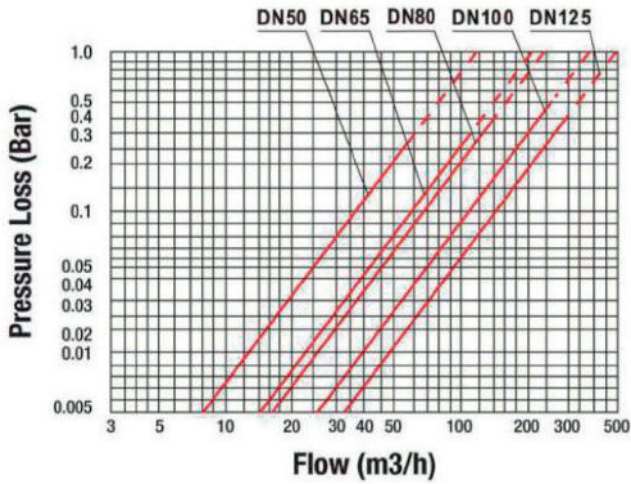


Part Number	Size (mm)	Nominal Flow Q3	Min Flow Q1	Max Flow Q4	Pulse Value L/P
F50WC	50	40 m <sup>3</sup> /hr	0.5 m <sup>3</sup> /hr	50 m <sup>3</sup> /hr	100
F65WC	65	63 m <sup>3</sup> /hr	0.787 m <sup>3</sup> /hr	78.7 m <sup>3</sup> /hr	100
F80WC	80	63 m <sup>3</sup> /hr	0.787 m <sup>3</sup> /hr	78.7 m <sup>3</sup> /hr	100
F100WC	100	100 m <sup>3</sup> /hr	1.25 m <sup>3</sup> /hr	125 m <sup>3</sup> /hr	100
F125WC	125	160 m <sup>3</sup> /hr	2.0 m <sup>3</sup> /hr	200 m <sup>3</sup> /hr	100
F150WC	150	250 m <sup>3</sup> /hr	3.125 m <sup>3</sup> /hr	312 m <sup>3</sup> /hr	1000
F200WC	200	400 m <sup>3</sup> /hr	5.0 m <sup>3</sup> /hr	500 m <sup>3</sup> /hr	1000
F250WC	250	630 m <sup>3</sup> /hr	7.875 m <sup>3</sup> /hr	787.5 m <sup>3</sup> /hr	1000

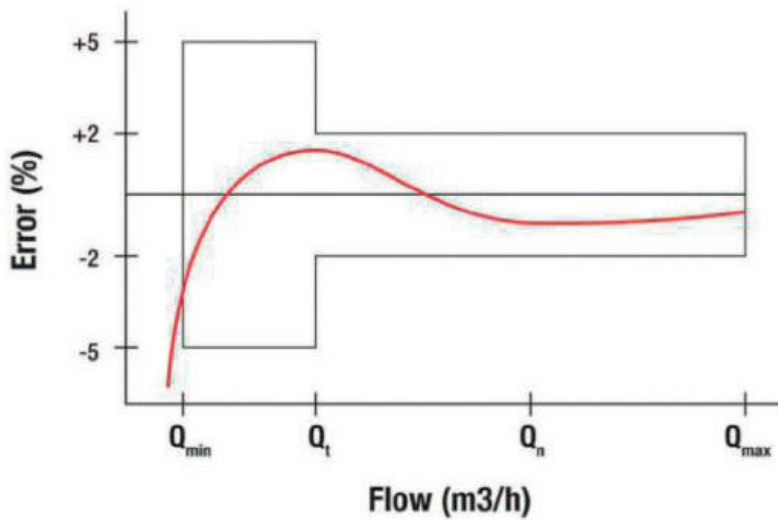


Size	L	H	H1	G	D	D1	nxM
50	200	252	339	400	165	125	4xM16
65	200	262	349	400	185	145	4xM16
80	225	272	359	400	200	160	8xM16
100	250	282	369	400	220	180	8xM16
125	250	297	384	400	250	210	8xM16
150	300	341	428	500	285	240	8xM20
200	350	371	458	500	340	295	12xM20
250	450	480	576	710	405	355	12xM24

## Pressure Drop Charts



## Accuracy Curve



## INSTALLATION GUIDELINES FOR WOLTMANN WATER METERS

### Sizing and Selection:

- Maximum flow is only for use in emergencies, for about 1-2 minutes as it causes the bearings to overheat.
- Minimum flow only refers to the minimum flow required to operate and record on the meter. At these very low flows, the meter will not be accurate.
- All water meters should be sized between transitional flow (the point at which the meter is most accurate) and nominal flow (everyday flow rate).
- The meters are designed only for use with clean water. Sufficient filtration prior to the meter should be considered if the quality of water is compromised.

### Installation:

- The preferred mounting position is horizontal. Woltmann meters can be installed vertically, providing that care is taken over the installation position ensuring that all other elements of these guidelines are adhered to. Ensuring that the flow rate is double the  $Q_t$  value can reduce the meter error.
- Under no circumstances whatsoever must the meters remain in situ whilst system flushing takes place.
- When installed in the horizontal pipe, the dial must always be facing upwards. Never put the meter upside down as it will not function correctly.
- Water meters should always be fitted with a minimum of 5x pipe diameter both up and downstream. For example, a 2" (DN50) water meter would have 10" (250mm) either side of the meter as straight pipe. This is to ensure accurate reading by reducing water turbulence. At higher pressures (above 8 bar), this should be increased to 10x pipe diameter.
- Note that there is a direction of flow arrow on the meter and the meter should be installed accordingly.
- It is recommended as good practice to fit a removable filter element before a water meter to protect the mechanism.
- Only clean water should be used that does not exceed the temperature specification of the meter. This is 30 degrees centigrade for cold meters and 90 degrees centigrade for hot meters.