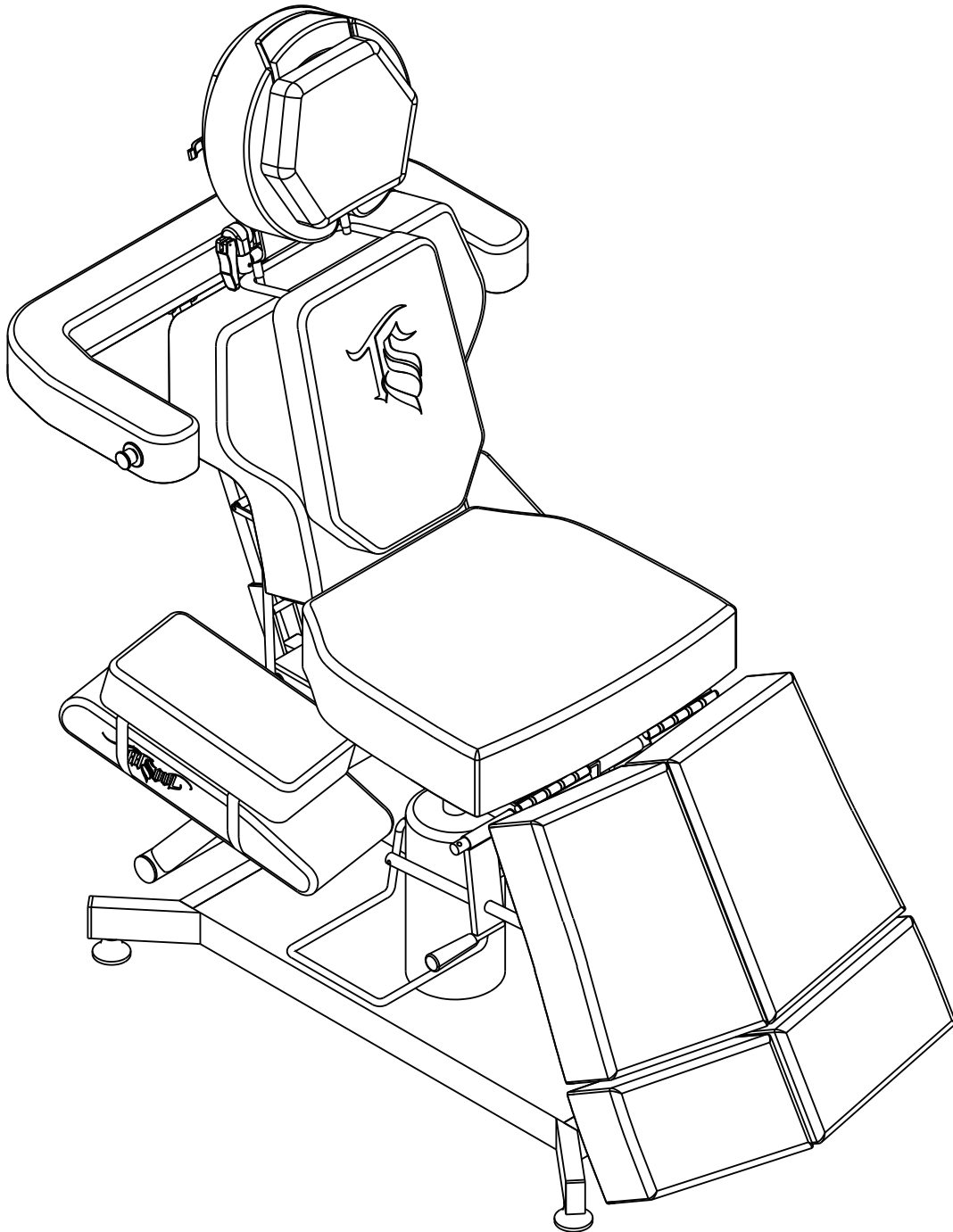


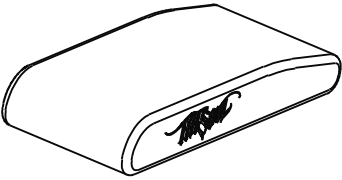
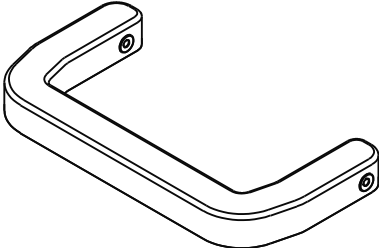
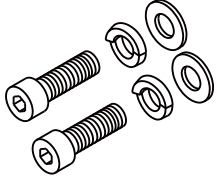
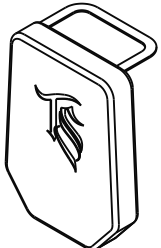
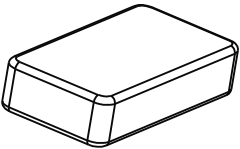
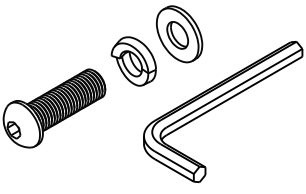
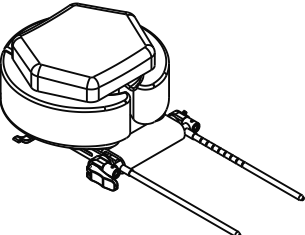
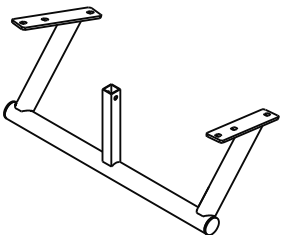
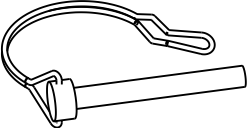
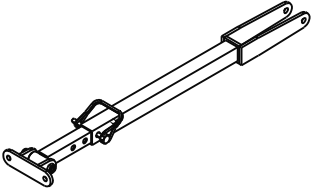
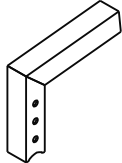
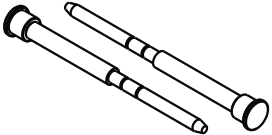
FATSOU

INSTRUCTION MANUAL

TS-SH-B/TS-SCB-B

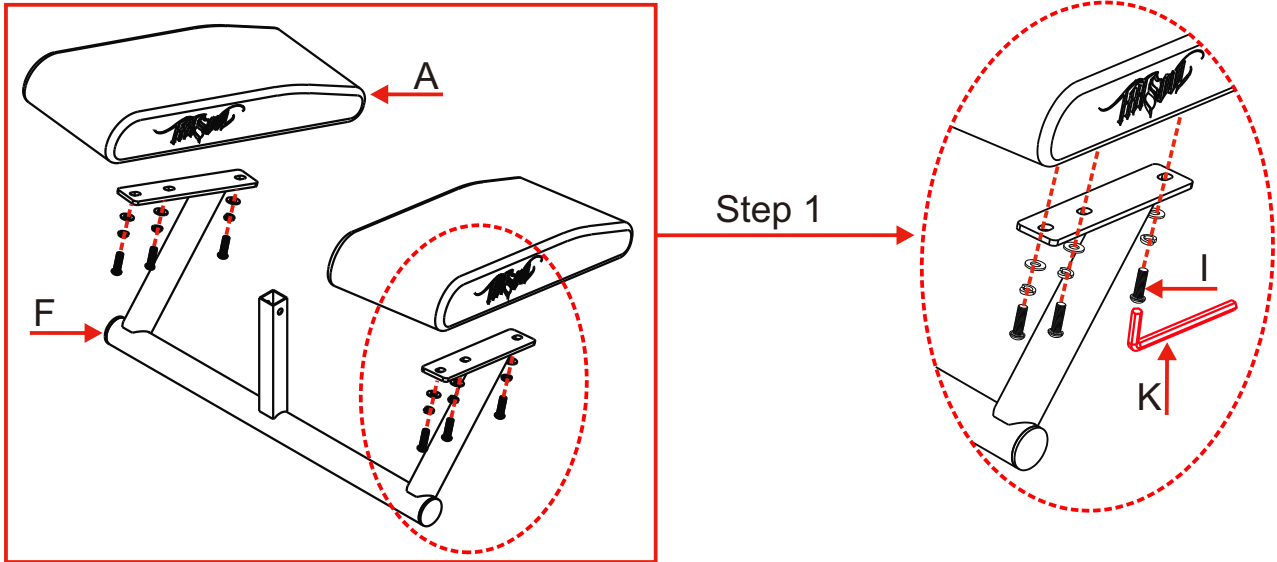


CONTENTS

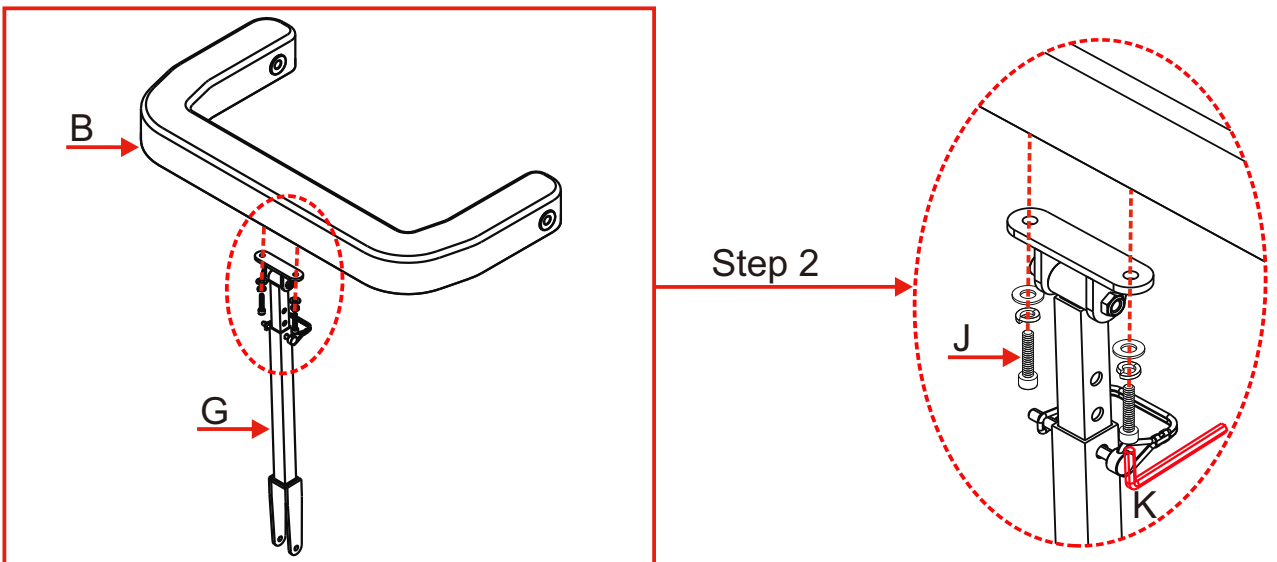
 <p>A: Legrest cushion 2 pcs</p>	 <p>B: Armrest cushion 1 pcs</p>	 <p>I: Bolts M8x25 6 pcs Washers $\phi 8$ 6 pcs Split Lock Elastic Gaskets $\phi 8$ 6 pcs</p>
 <p>C: Chest cushion 1 pcs</p>	 <p>D: Heightening cushion 2</p>	 <p>J: Bolts M6x35 2 pcs Washers $\phi 6$ 2 pcs Split Lock Elastic Gaskets $\phi 6$ 2 pcs K: M5 Hexagon key 1 pcs</p>
 <p>E: Headrest 1 pcs</p>	 <p>F: Legrest support frame 1 pcs</p>	 <p>L: Lock Pin 3 pcs</p>
 <p>G: Armrest support frame 1 pcs</p>	 <p>H: L shape regulating stem 1 pcs</p>	 <p>M: The armrest's bolt 2 pcs</p>

ASSEMBLY INSTRUCTIONS

Step 1 : Using the M5 Hex Key (K), fasten the legrest cushion (A) to the frame (F) with hardware (I).



Step 2 : Using the M5 Hex Key (K), fasten the armrest support frame (G) to armrest cushion (B) using hardware (J).



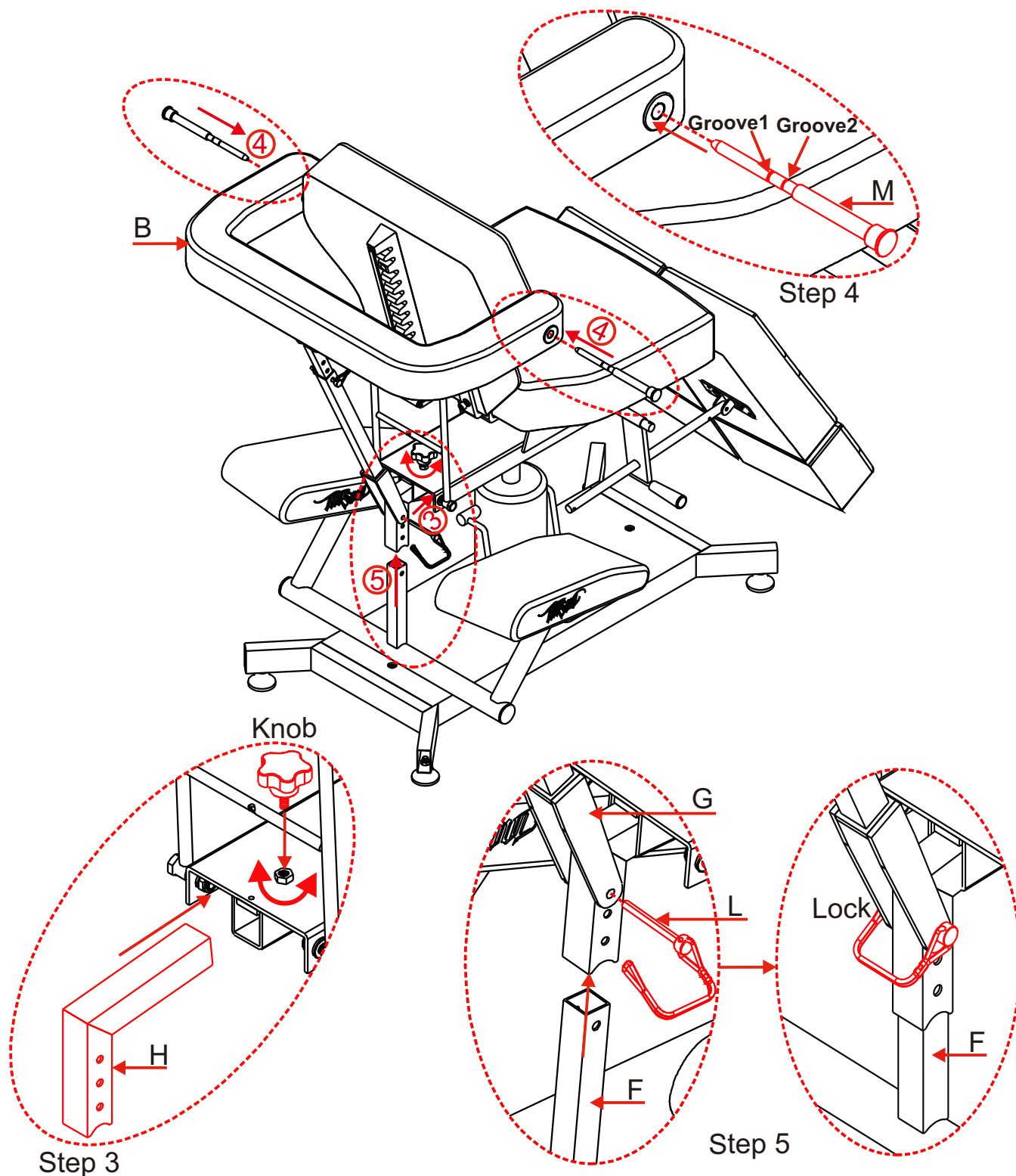
ASSEMBLY INSTRUCTIONS

Step 3 : As shown, insert the L shape regulating stem (H) to the tube of the chair following the direction of arrow, then tighten with a locking knob.

Step 4 : As shown, insert the armrest bolts (M) to fix the armrest cushion (B) following the direction of arrows.

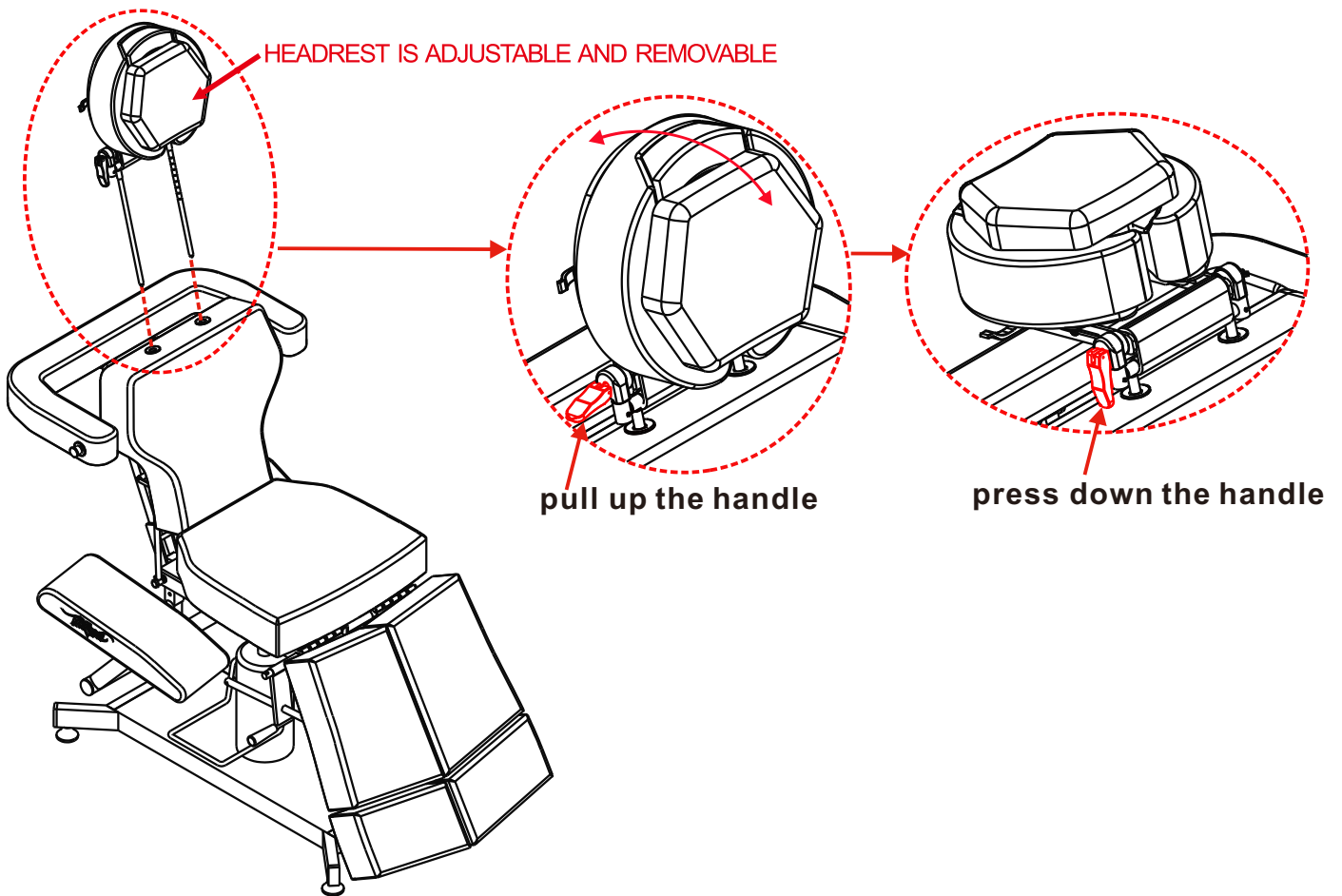
Please note: Groove1 of The armrest's bolt is suitable for CC300,
Groove2 of The armrest's bolt is suitable for CC370/570/680/OLE680CC.

Step 5 : As shown, insert the frame (F) to the L shape regulating stem (H) and use the Lock Pin (L) to lock with the armrest support frame (G).

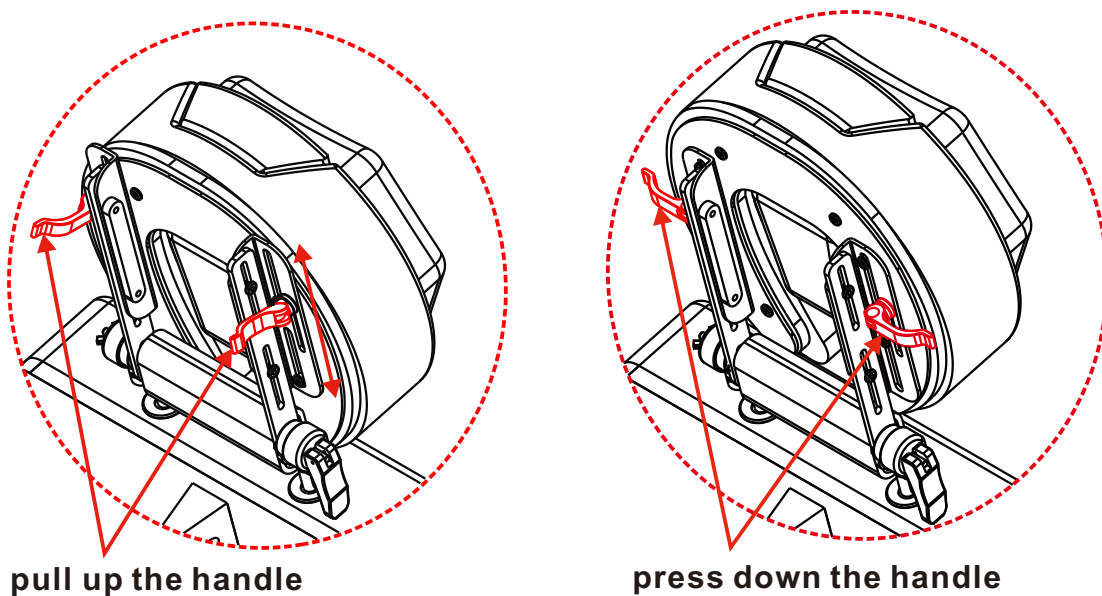


OPERATING INSTRUCTIONS

- 1) : As shown, pull up the handle to adjust the pillow's angle and press down the handle to lock movement.

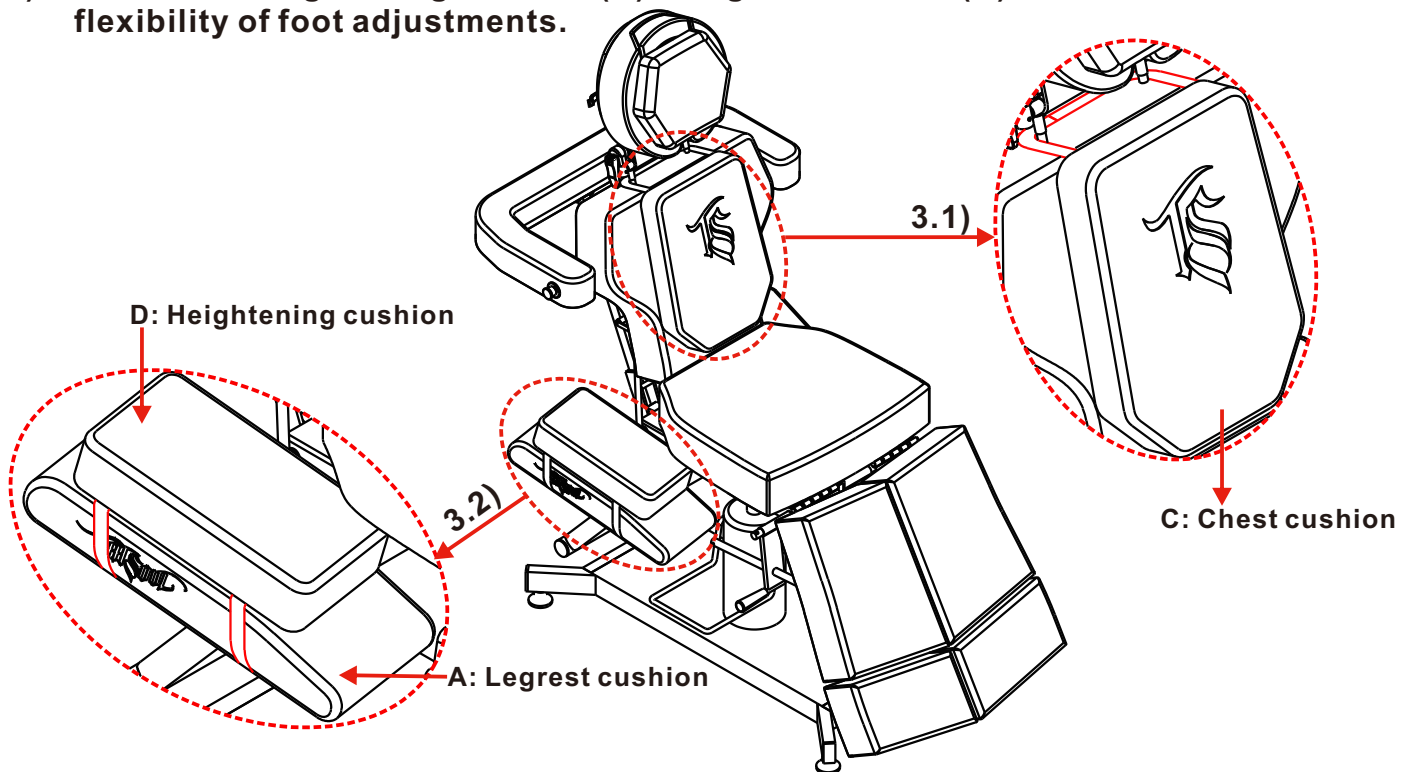


- 2) : As shown, pull up both side handles to unlock, then adjust the pillow up and down to a suitable position. Press down the side handles to lock.

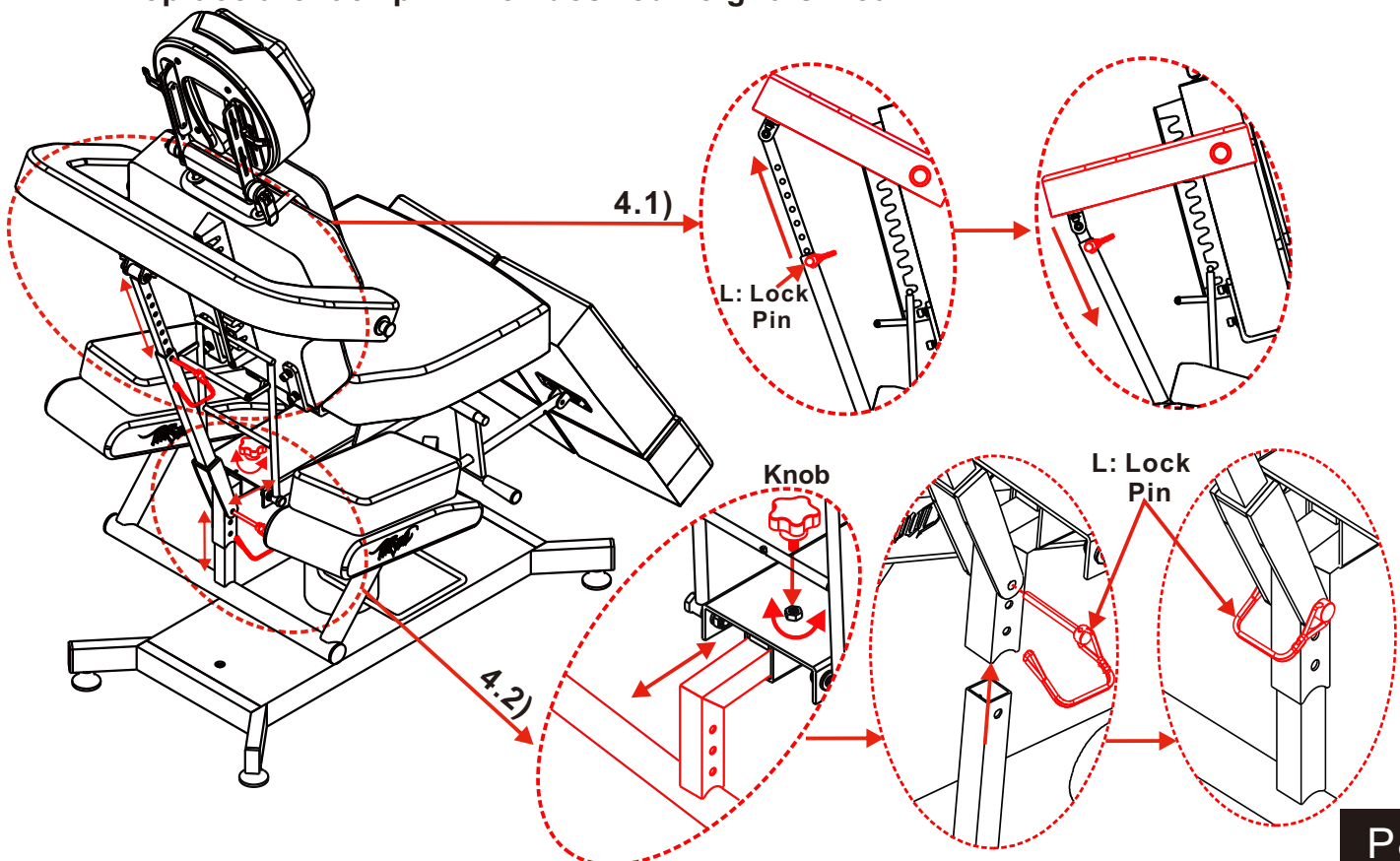


OPERATING INSTRUCTIONS

- 3.1) : Hang the chest cushion (C) from the back of the pillow's bolts using hook and loop fasteners for additional user comfort.
- 3.2) : Attach the Heightening cushion (D) to legrest cushion (A) for additional comfort and flexibility of foot adjustments.



- 4.1) : As shown, pull out the lock pin (L) to adjust the armrest to desired angle until comfortable.
- 4.2) : As shown, first loosen the locking knob to adjust the legrest forward or backward with the L shape regulating stem. **(Note: do not pull out the L shape regulating stem past the locking knob.)** Next, remove the lock pin to adjust the footrest height. Replace the lock pin when desired height is met.



VINYL AFTERCARE

1. Cleaning Instructions. To ensure the safety and life of your vinyl seats, please use only specified cleaners and cleaning materials listed below.

2. Accepted Cleaners. Mix a small amount of mild dish soap with warm(not hot) water . Dip a very soft-bristled brush or soft cloth into the soapy water and gently scrub with seats in a circular motion. Wipe the water off with another soft, dry cloth.

3. Unacceptable Cleaners. Do not use abrasive cleaning compounds such as bleach or ammonia. They will harm the vinyl and, over time, cause the material to fade or tear. Also, do not use:

Concentrated detergents

Silicone oils

Waxes

Petroleum distillates

Dry cleaning fluids

Solvents

Steel wool

Sharp cleaning tools

Abrasive cleaning materials or impements

Acid-based cleaners

CONTACT INFORMATION:

If you have any questions about our products, feel free to contact us via email or by phone. We are available via telephone during PST business hours. We try to respond to emails within a few hours of their receipt, even during evenings and weekends.

General Information:

Email: sales@tatsoul.com

Fax: 1-800-768-5643

Sales:

Email: sales@tatsoul.com

Telephone: 1-888-TAT-SOUL
(1-888-828-7685) Option 1

Technical Support:

Email: support@tatsoul.com

Telephone: 1-888-TAT-SOUL
(1-888-828-7685) Option 2