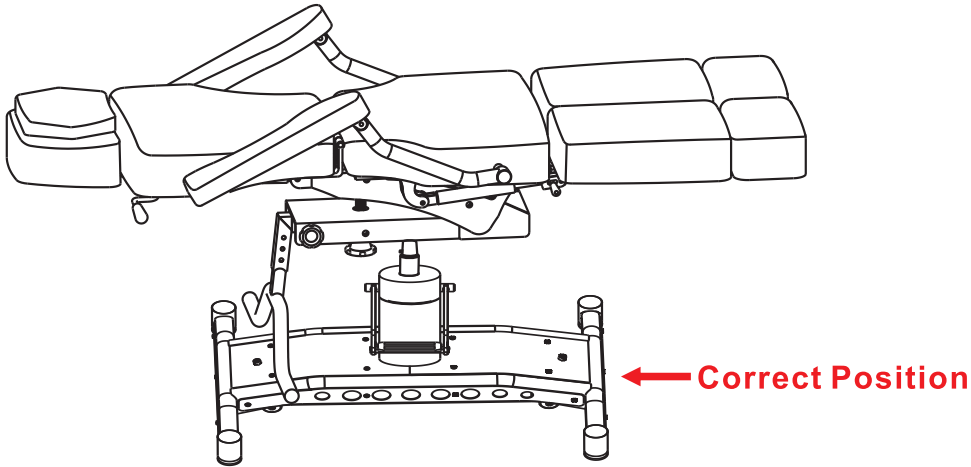
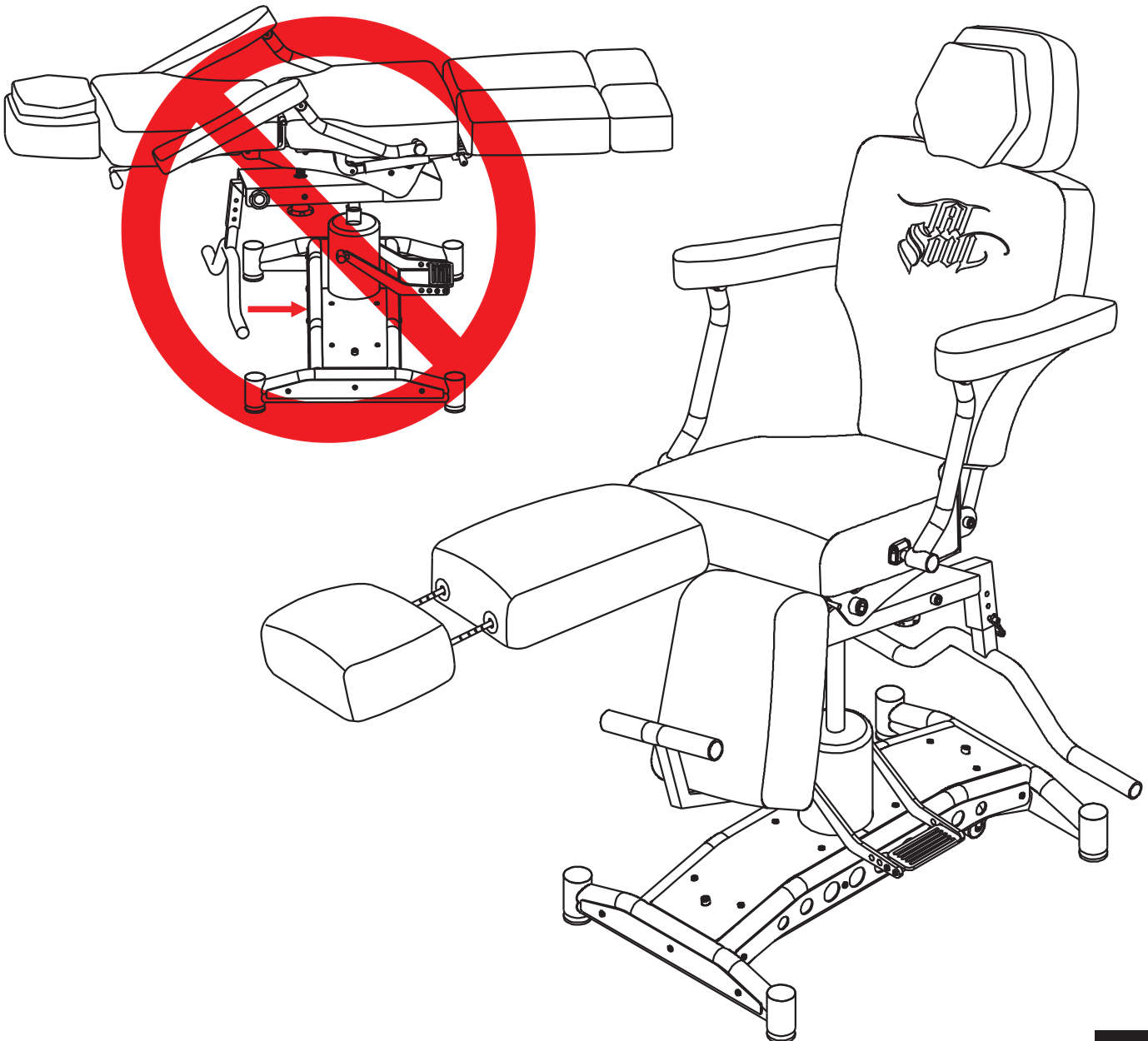


INSTRUCTION MANUAL

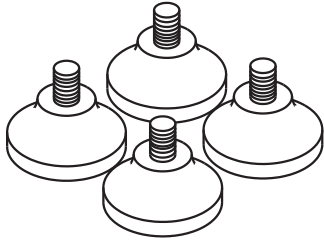
OLE-680CC



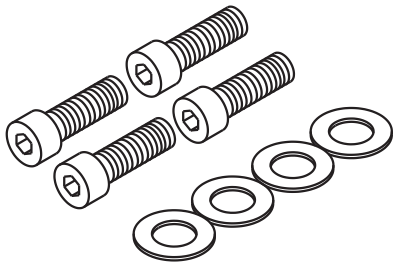
Safety is very important when using your chair.
Before placing your client in the chair, ALWAYS make sure your chair
is locked and the bed area is in a position parallel to the base.



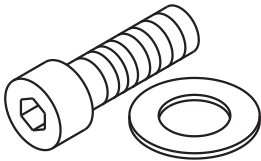
CONTENTS



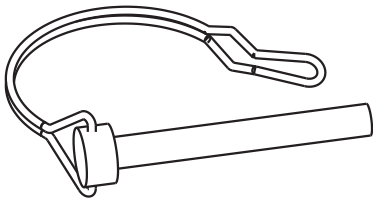
A: Adjustable Foot Pegs



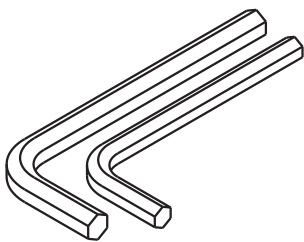
B: Base Bolt
C: Base Washer



D: Connector Bolt
E: Connector Washer

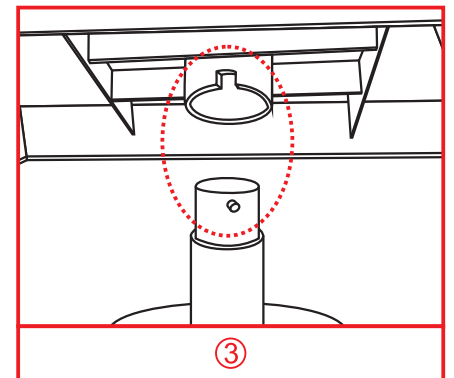
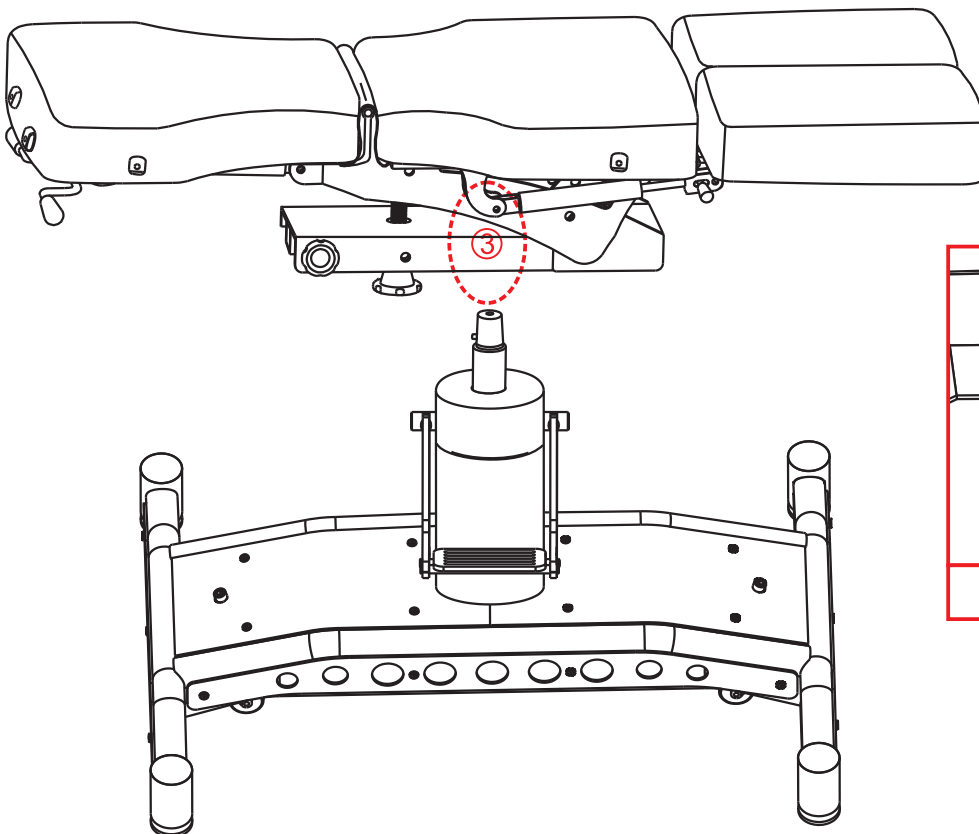
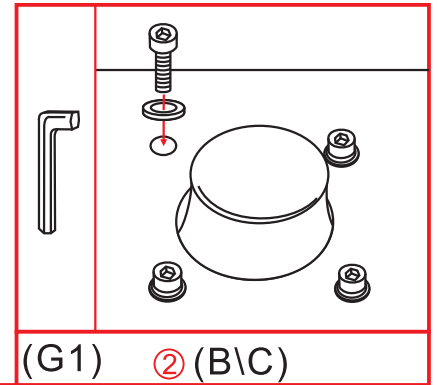
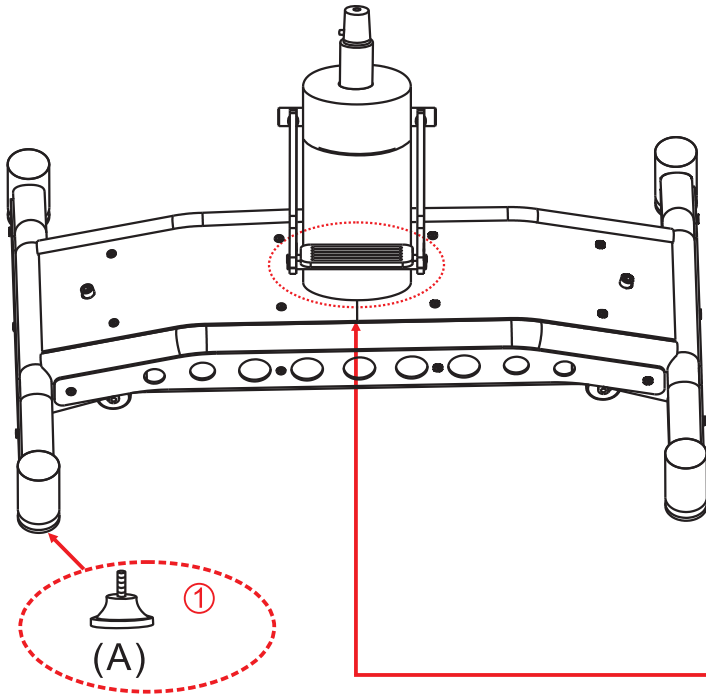


F: Lock Pin

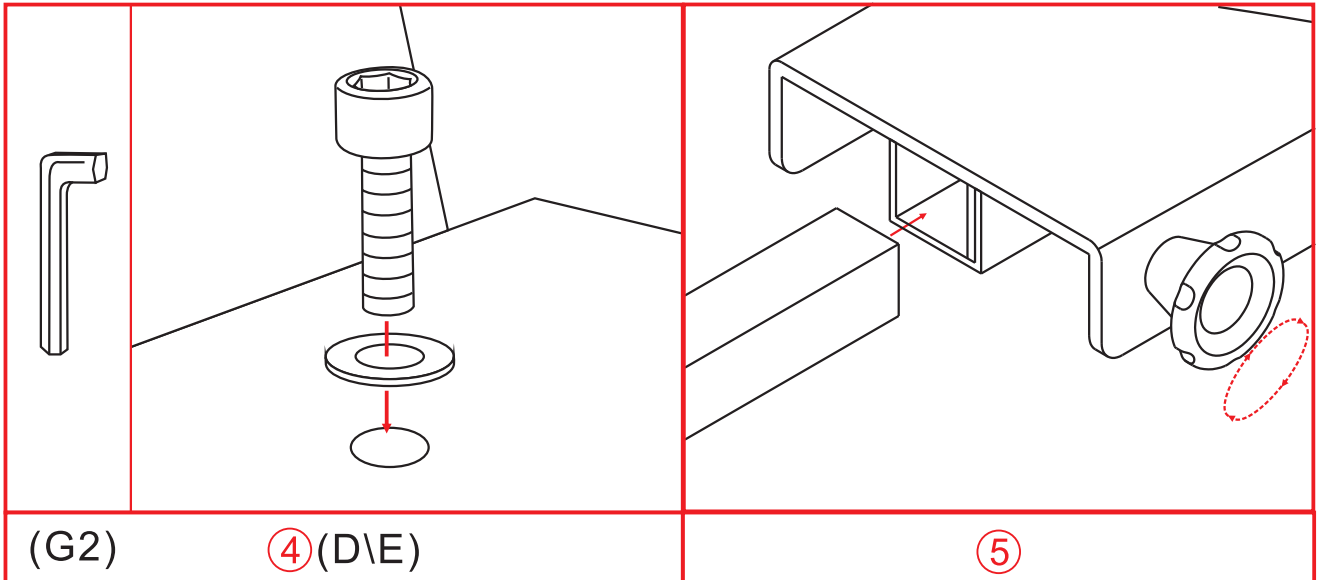
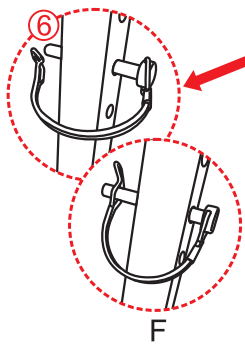
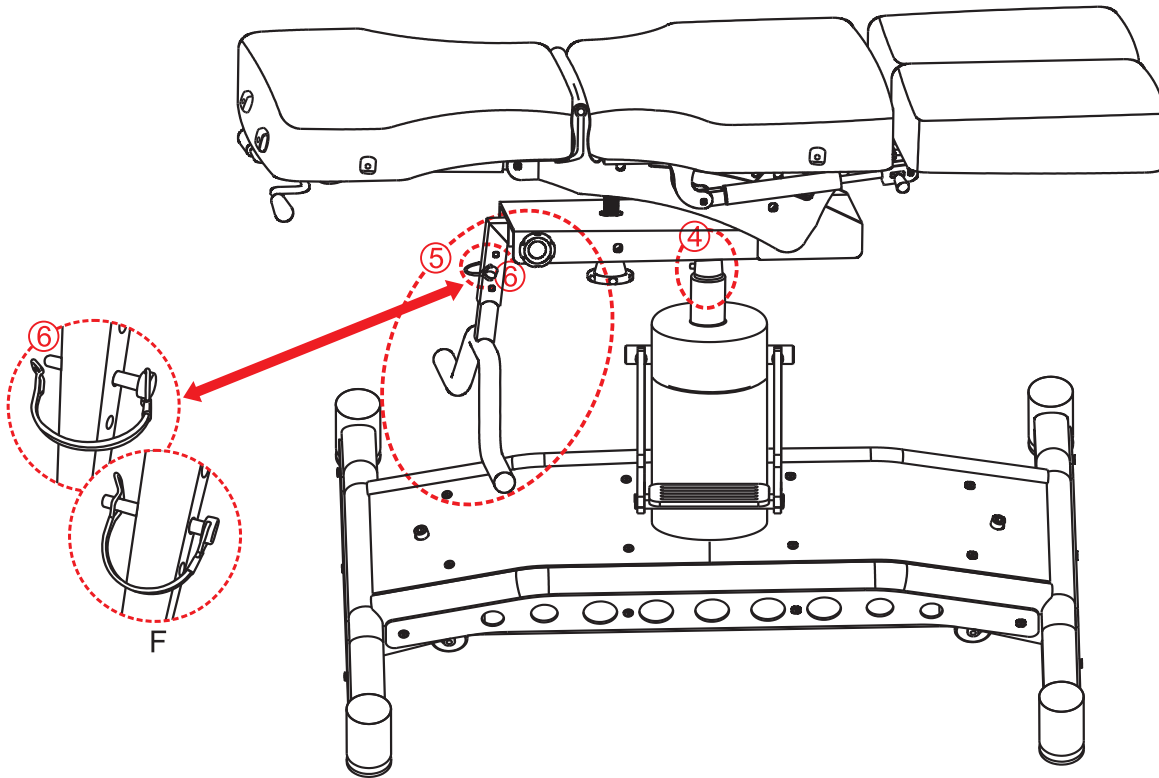


G1: M6 Hexagon key
G2: M8 Hexagon key

ASSEMBLY INSTRUCTIONS

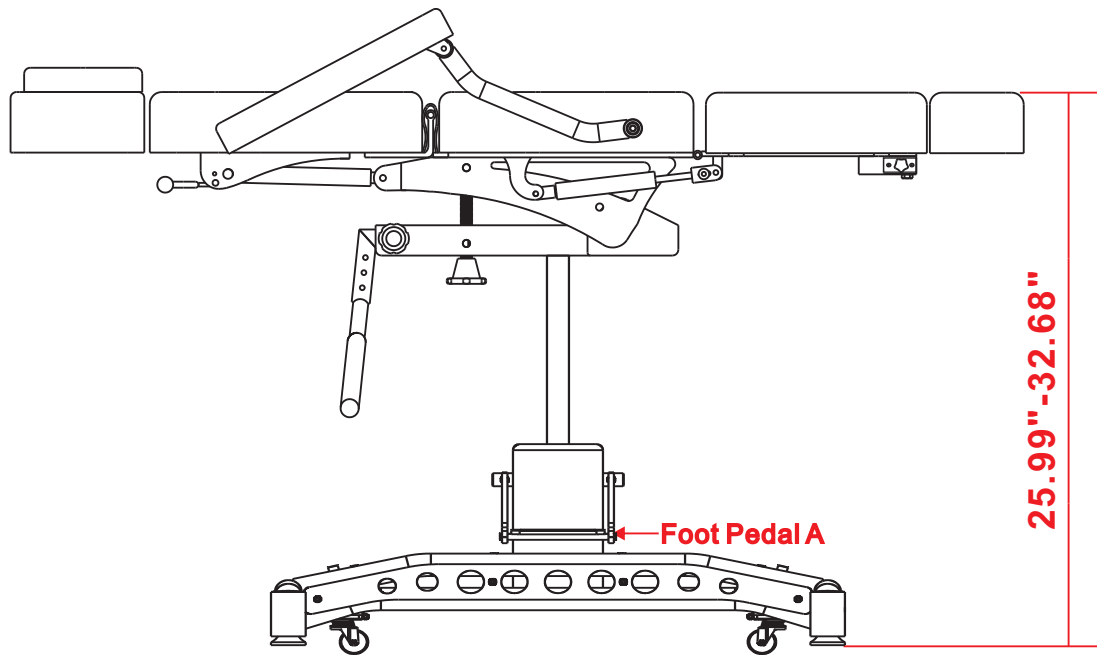


ASSEMBLY INSTRUCTIONS

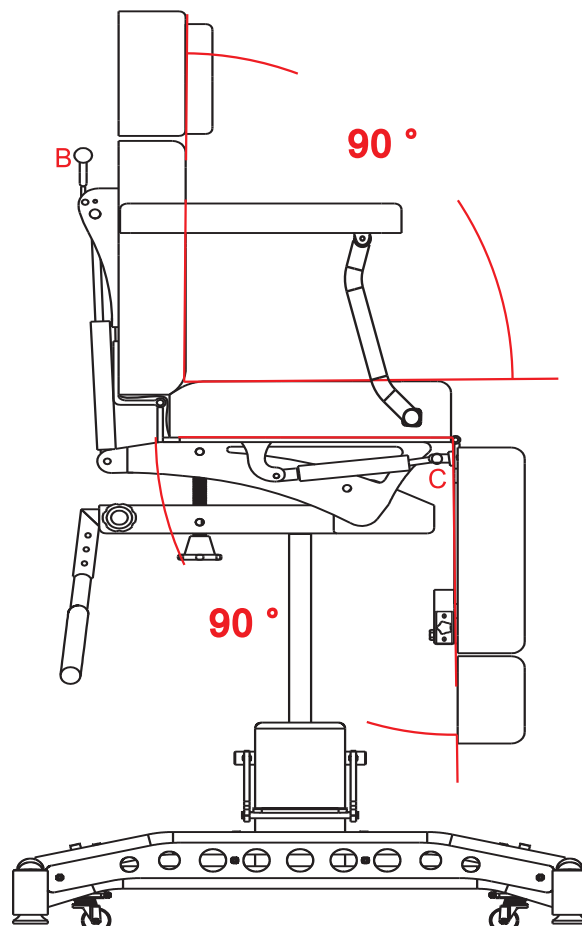


OPERATING INSTRUCTIONS

1) The height is adjustable by pressing Foot Pedal A. Press to adjust from 25.99" to 32.68".

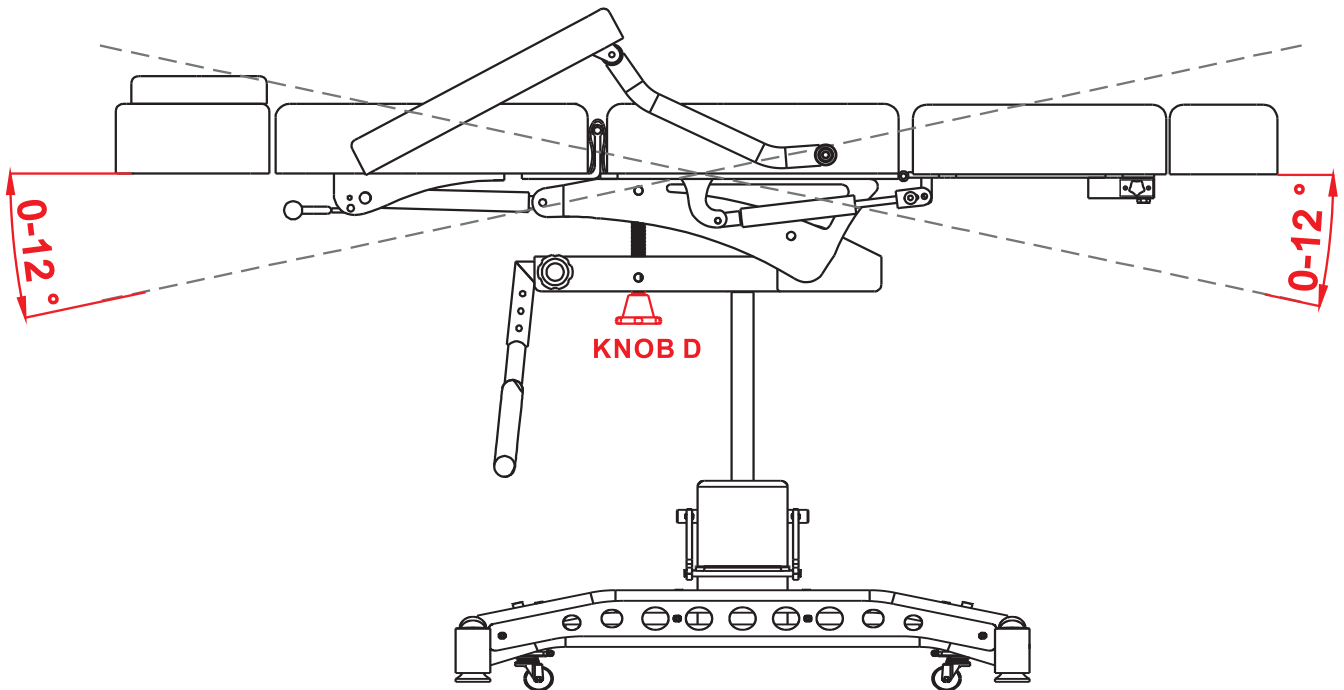


2) The back and foot rest are separately adjustable. Use Lever B to adjust the back of the chair and Lever C to adjust the foot rest. Both are adjustable from 0 to 90 degrees.

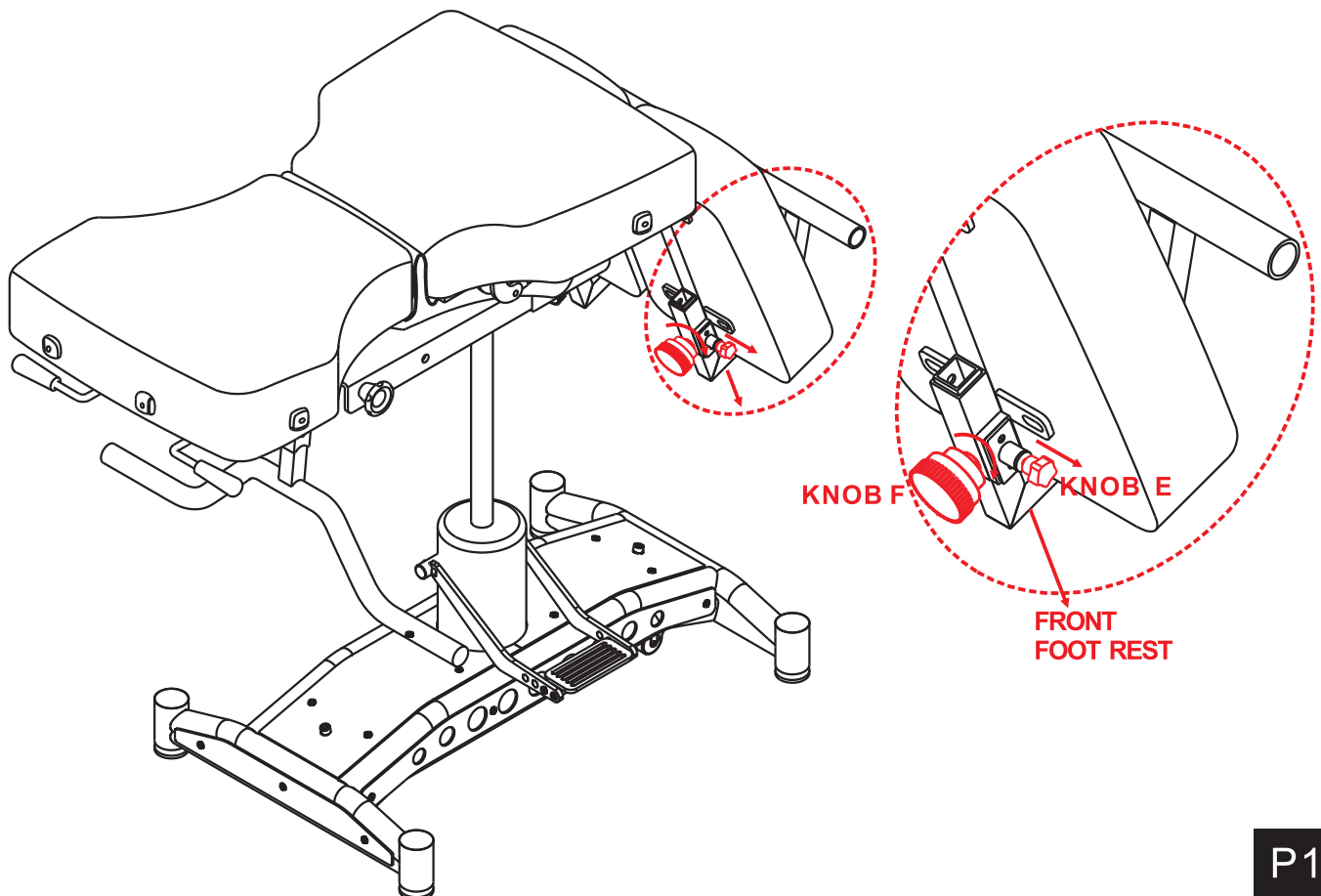


OPERATING INSTRUCTIONS

3) Using Knob D, you can adjust the chair's incline from 0-12 degrees.



4) Adjusting the leg rest is easy by turning Knob E. Once in place, make sure you lock it tight by turning Knob F.



OPERATING INSTRUCTIONS

HEADREST IS ADJUSTABLE AND REMOVABLE

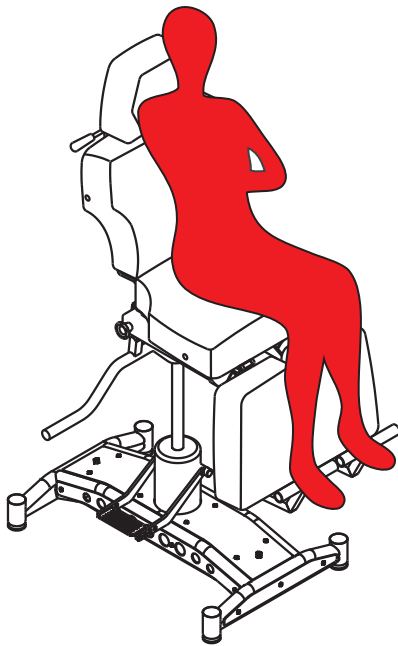
ARM REST IS ADJUSTABLE AND REMOVABLE

LEG REST EXTENDER IS ADJUSTABLE AND REMOVABLE

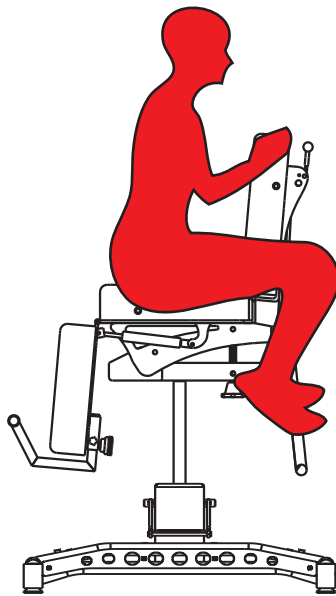
ADJUSTABLE BACK-OF- FOOT REST

ADJUSTABLE FRONT-OF- FOOT REST

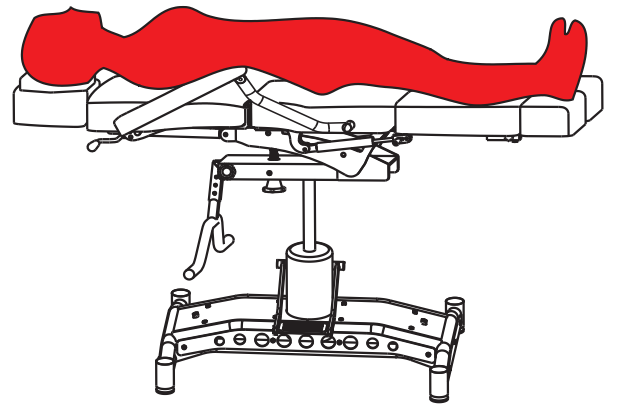
THE FUNCTION OF ADJUSTING CASTER LIFTING



CHAIR POSITION



STRADDLE POSITION



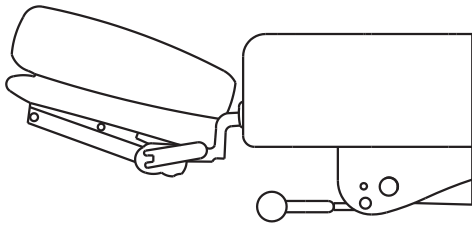
BED POSITION

WARNING:

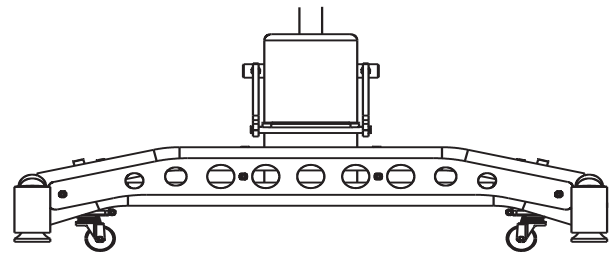
Base and bed must be completely parallel when in the bed position!

INCLUDED WITH OROS 680LE PACKAGE

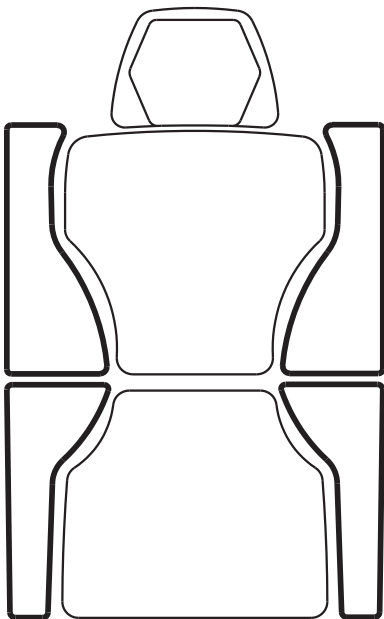
Face Cradle



TATSoul Retractable Safety Wheels



Oros Wing Extensions



Oros Protective Covers



VINYL AFTERCARE

1. Cleaning Instructions. To ensure the safety and life of your vinyl seats, please use only specified cleaners and cleaning materials listed below.

2. Accepted Cleaners. Mix a small amount of mild dish soap with warm(not hot) water . Dip a very soft-bristled brush or soft cloth into the soapy water and gently scrub with seats in a circular motion. Wipe the water off with another soft, dry cloth.

3. Unacceptable Cleaners. Do not use abrasive cleaning compounds such as bleach or ammonia. They will harm the vinyl and, over time, cause the material to fade or tear. Also, do not use:

Concentrated detergents

Silicone oils

Waxes

Petroleum distillates

Dry cleaning fluids

Solvents

Steel wool

Sharp cleaning tools

Abrasive cleaning materials or impements

Acid-based cleaners

CONTACT INFORMATION:

.....
If you have questions about your new chair, please feel free to contact TATSoul via phone or email.

We are available to answer your call from 8:00am-5:00pm Monday through Friday PST. (Pacific Standard Time)

You may expect a same-day response to your email. This includes evenings and weekends.
.....

General Information:

Email: sales@tatsoul.com

Fax: 1-800-768-5643

Sales:

Email: sales@tatsoul.com

Telephone: 1-888-TAT-SOUL
(1-888-828-7685) Option 1

Technical Support:

Email: support@tatsoul.com

Telephone: 1-888-TAT-SOUL
(1-888-828-7685) Option 2