

# Components Check List

comfort  
*Soul*

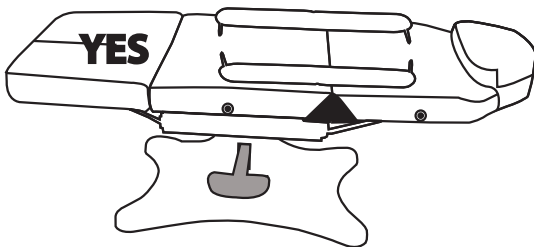


## Hydraulic Pro Twin

(fc-368)



### - CAUTION -

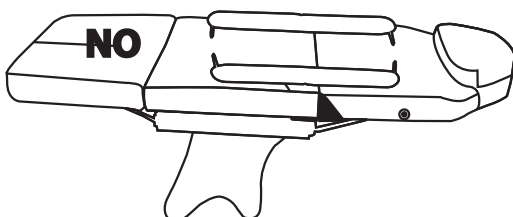


When a client is getting on the chair:

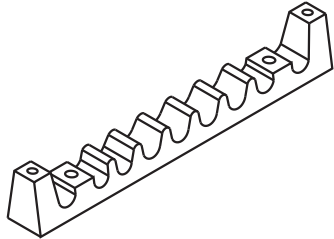
- ALWAYS have the chair locked

- AND -

- Make sure the bed set in a parallel position to the base as shown.



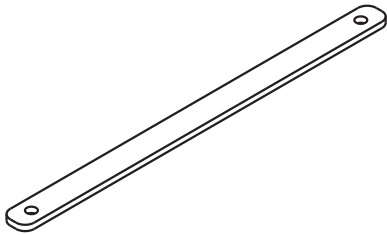
# CONTENTS



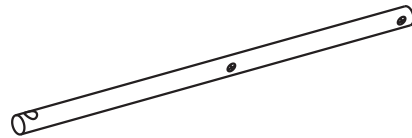
N(60026).Back Teeth(1)



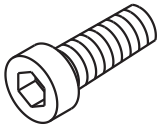
L(60024).Teeth Cover Bolts(2)



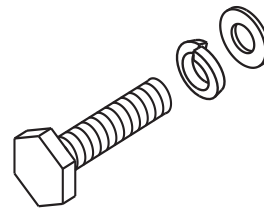
M(60025).Teeth Cover Bar(1)



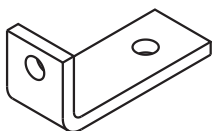
E(50222).Leg Bars(2)



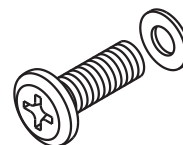
O(60007).Bolts(2)



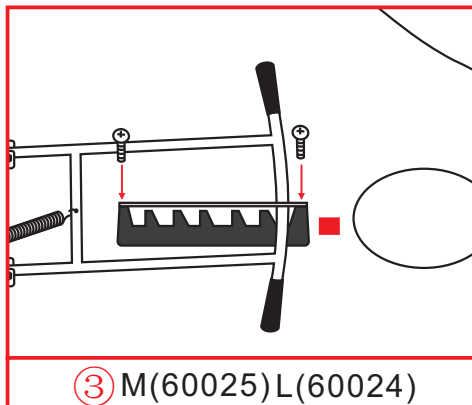
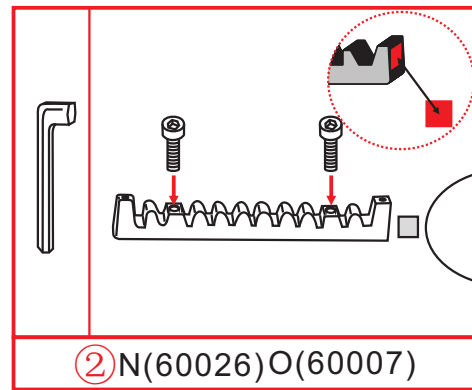
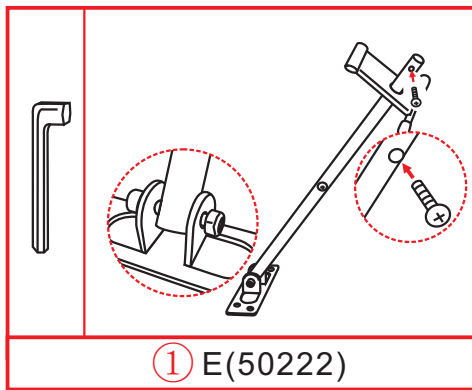
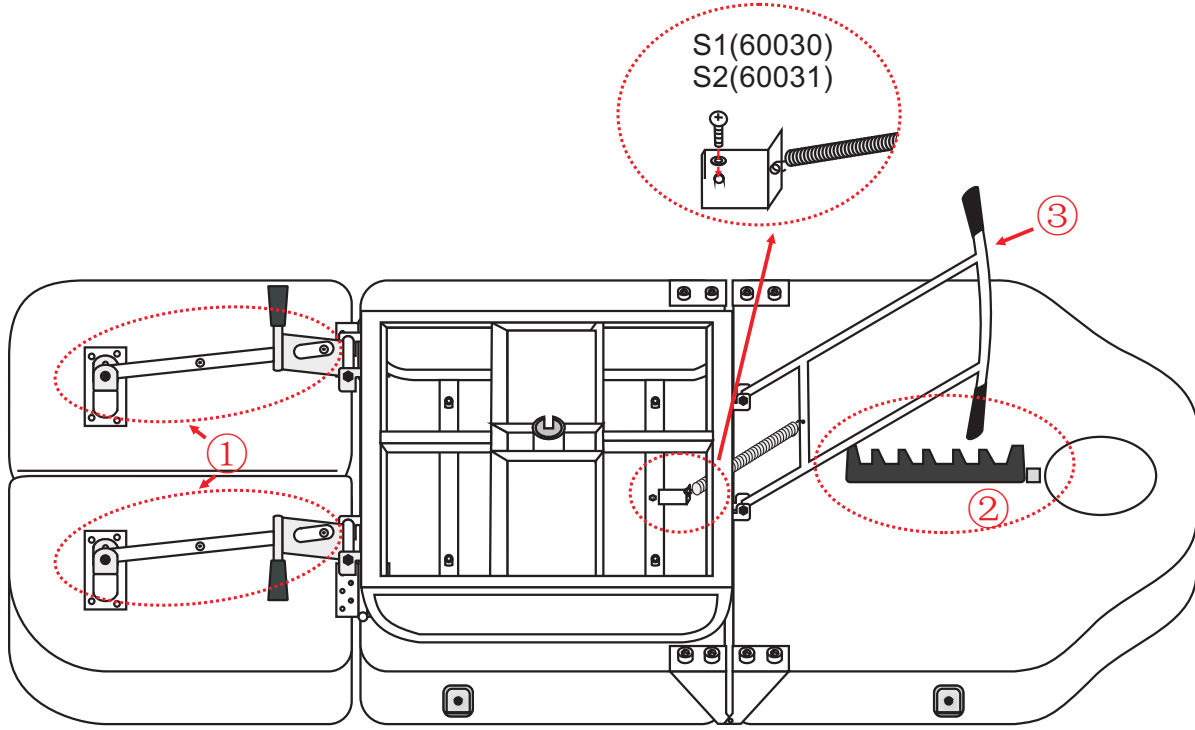
P(60027).Bolt(1)

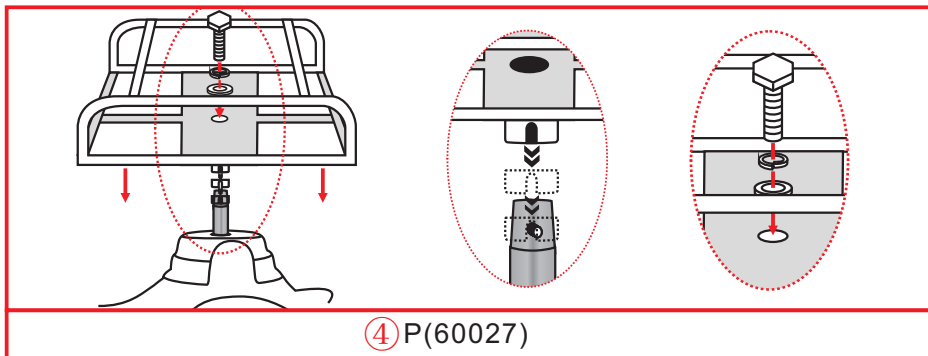
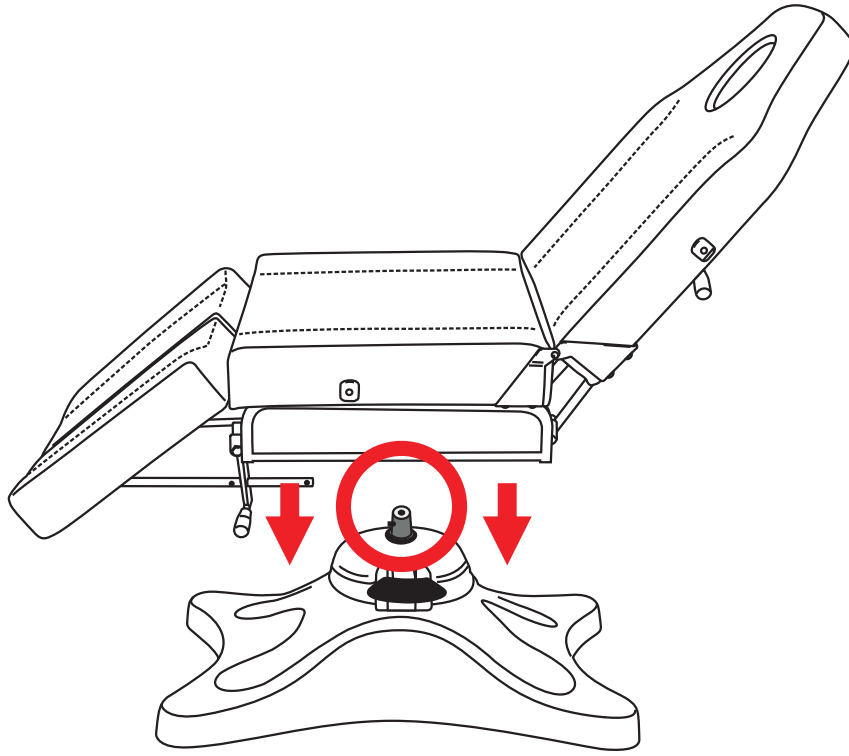


S1(60030).Base Hook Catcher(1)



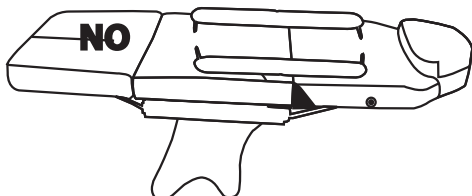
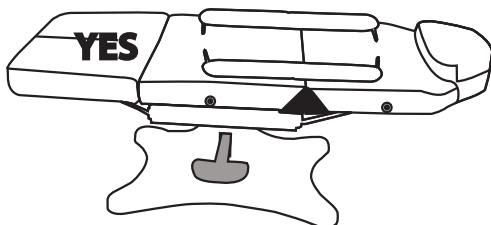
S2(60031).Base Hook Catcher Screw(1)





④ P(60027)

## - CAUTION -

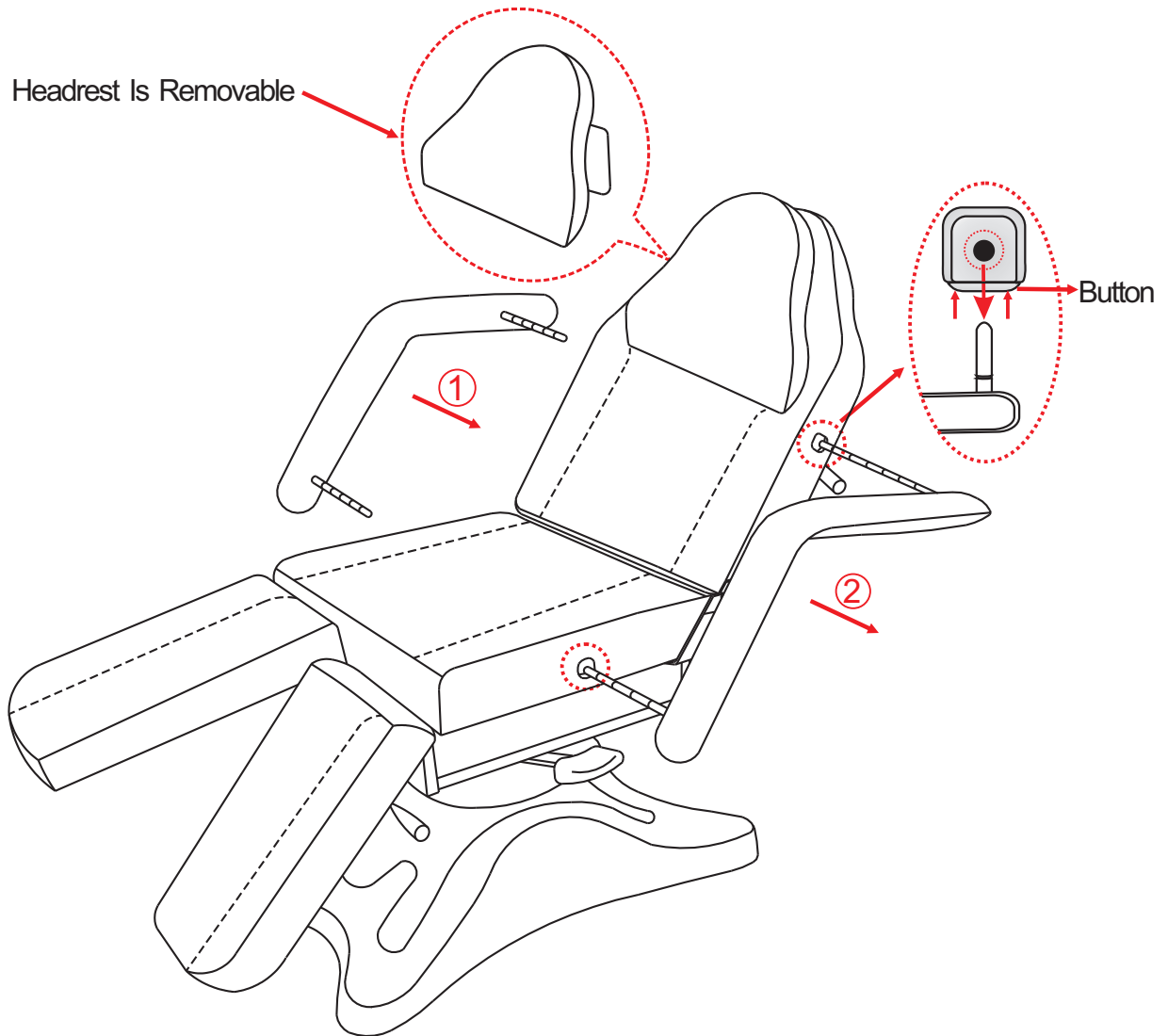


← When a client is getting on the chair:

- ALWAYS have the chair locked

- AND -

- Make sure the bed set in a parallel position to the base as shown.



- ① Both metal poles on each armrest must be inserted simultaneously.
- ② When removing the armrest from the chair body, you must press the button located under the armrest holes before pulling the armrest out.

**Warning: Do not try to rip plastic protector from furniture. This action may damage the product. Protective plastic needs to be carefully removed with scissors.**

## VINYL AFTERCARE



**1. Use soft cleaning implements.** Only clean your vinyl seats with soft sponges, dish cloths, and soft-bristled brushes. This will ensure your vinyl seats last for many years. Using steel wool, sharp cleaning tools, or similarly abrasive cleaning implements could cause your vinyl seating to tear.

**2. Wash your vinyl with soapy water.** Mix a small amount of mild dish soap with warm water until the mixture is sudsy. Dip a soft-bristled brush or soft cloth in the water. Scrub the vinyl seats until clean.

**3. Do not use abrasive cleaning compounds.** Undiluted bleach, for instance, is too caustic to use on vinyl. Over time, cleaning your vinyl seats with bleach will cause them to break down.<sup>[6]</sup> Likewise, avoid cleaning compounds containing:<sup>[7]</sup>

- concentrated detergents
- silicone oils
- waxes
- petroleum distillates
- dry cleaning fluids
- solvents
- acid-based cleaners