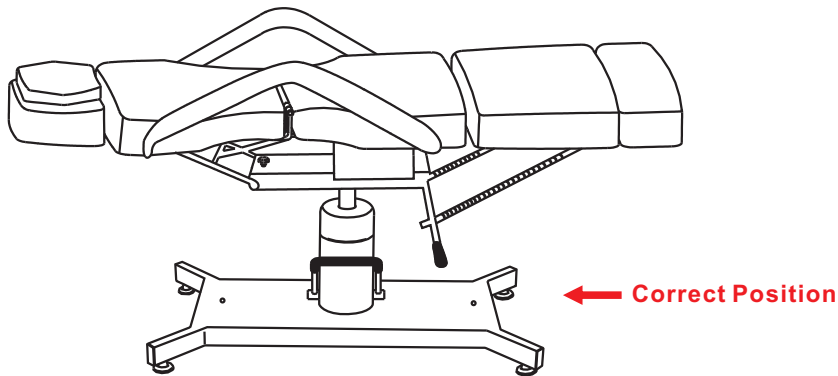
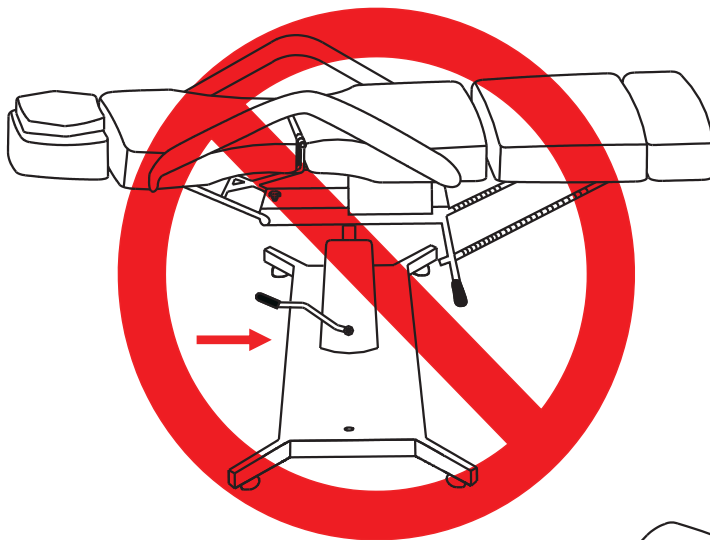


# INSTRUCTION MANUAL

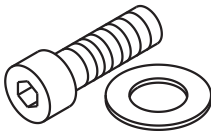
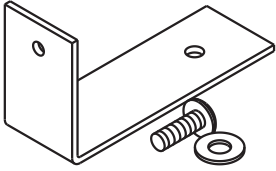
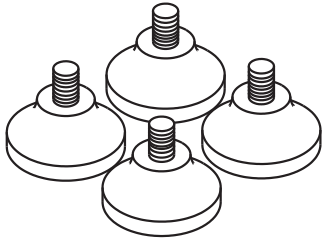
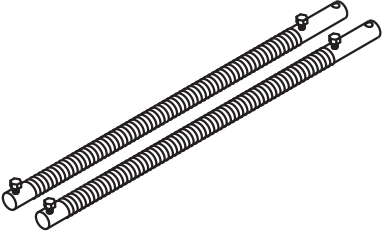
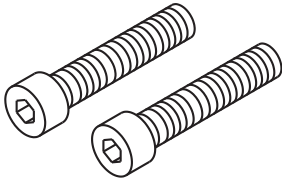
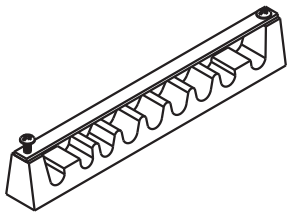
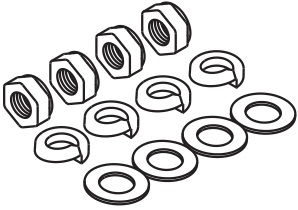
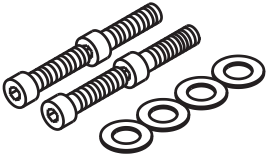

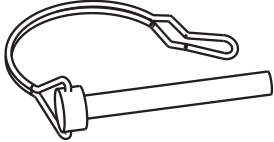
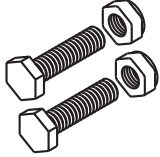
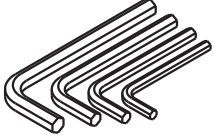
TATSOUL CC-300



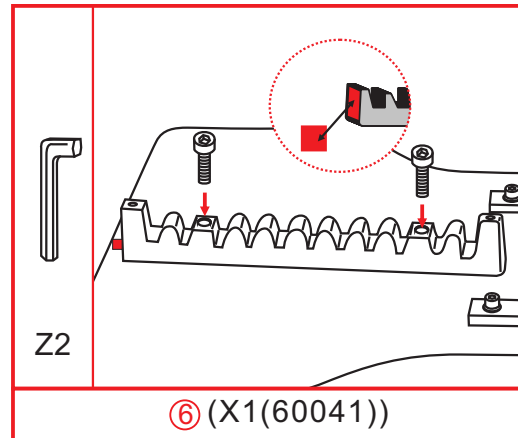
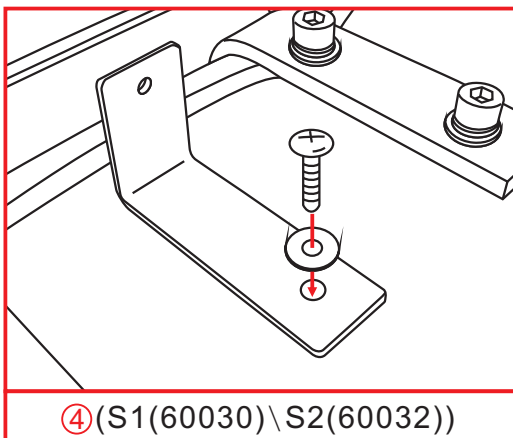
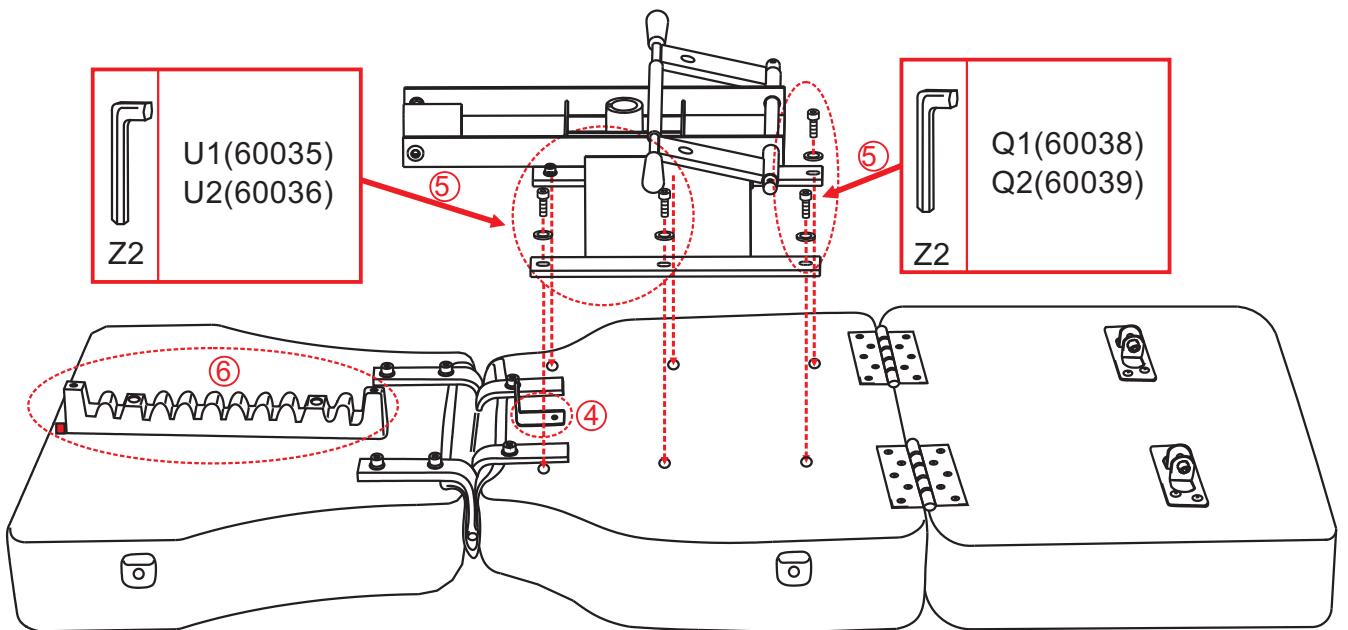
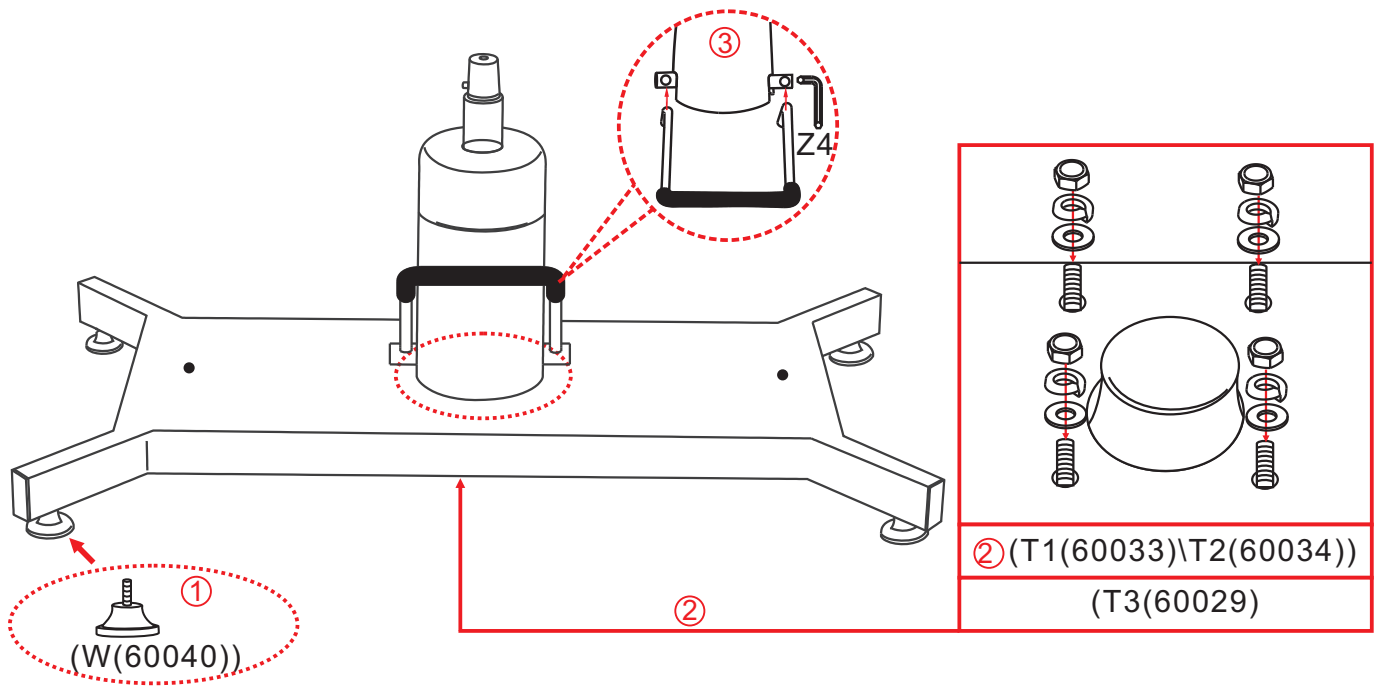
When a client is getting on the chair,  
**ALWAYS** have the chair locked and the bed  
set in a parallel position to the base as shown.



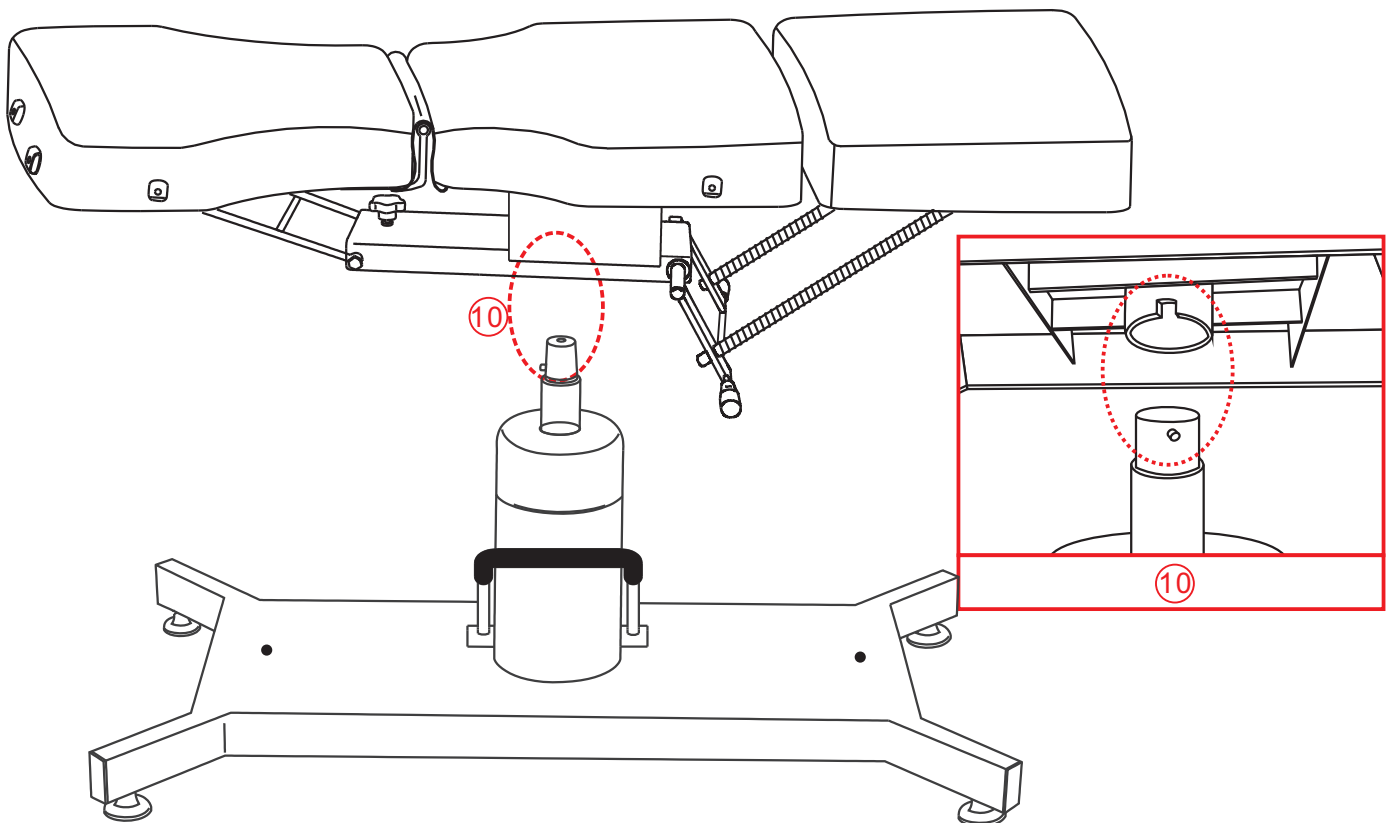
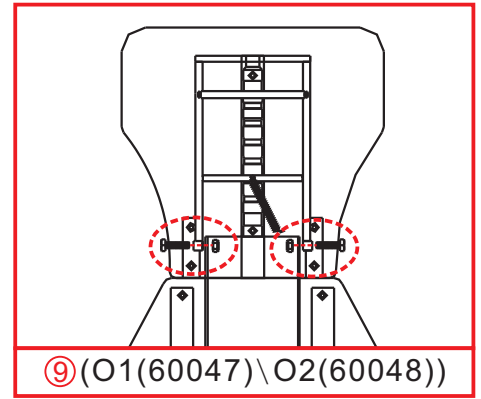
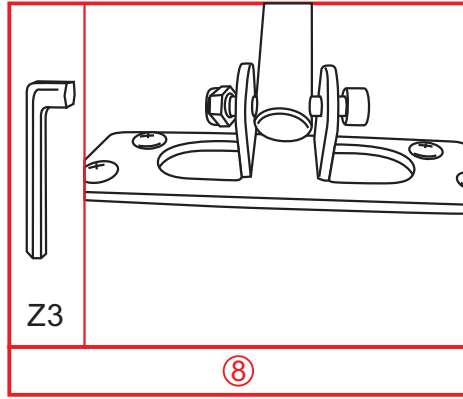
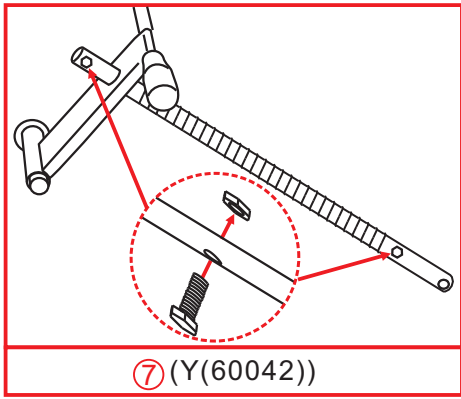
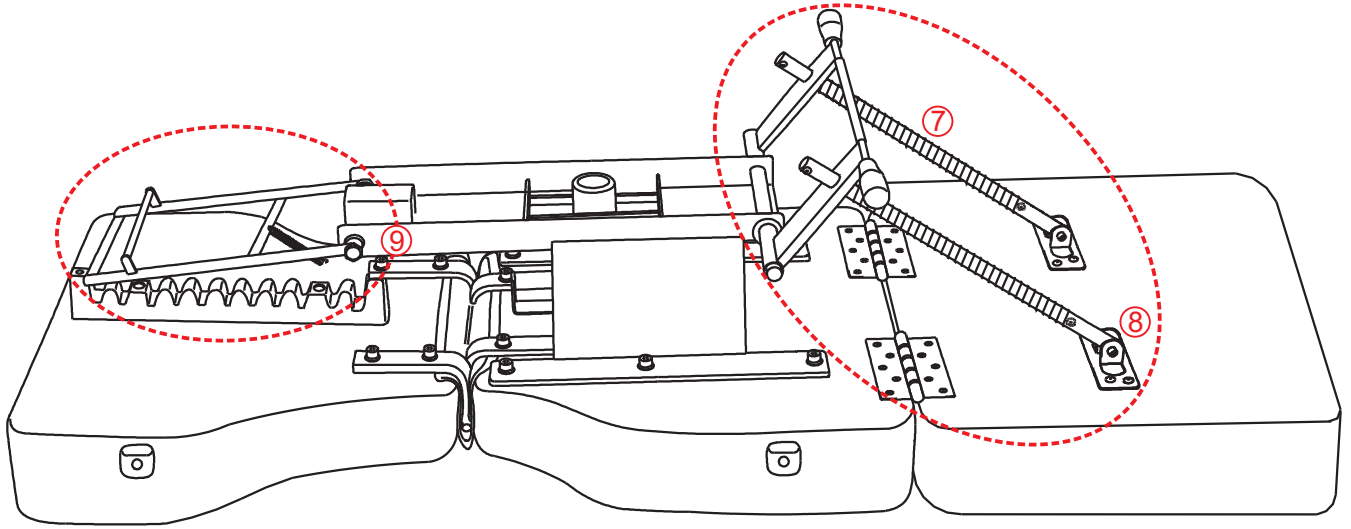
# CONTENTS

 <p>P1 (60027) Connector Bolt P2 (60028) Connector Washer</p>	 <p>S1 (60030) Spring Hook S2 (60032) Hook Screw</p>	 <p>W (60040) Adjustable Foot Pegs</p>
 <p>Y (60042) Leg Bars</p>	 <p>X 1 (60041) Back Teeth Bolts</p>	 <p>X2 (60037) Back Teeth</p>
 <p>T1 (60033) Since The Lock Nuts T2 (60034) Base Washer T3 (60029) Stainless Steel Spring Washer</p>	 <p>U1 (60035) Top Frame Bolt U2 (60036) Top Frame Washer</p>	 <p>Q1 (60038) Top Frame Bolt Q2 (60039) Top Frame Washer</p>
 <p>Z5 (60049) Lock Pin</p>	 <p>O1 (60047) Connector Bolts O2 (60048) Since The Lock Nuts</p>	 <p>Z1 (60043) M8 Allen Wrench Z2 (60044) M6 Allen Wrench Z3 (60045) M5 Allen Wrench Z4 (60046) M4 Allen Wrench</p>

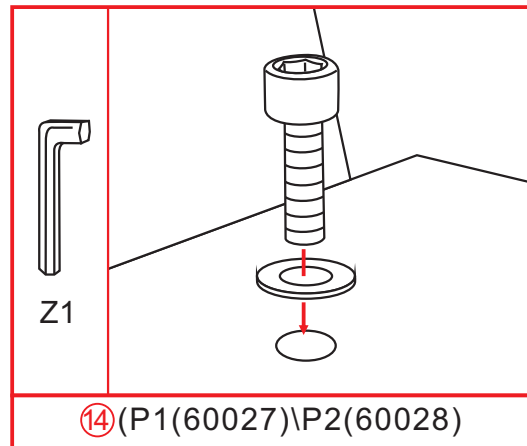
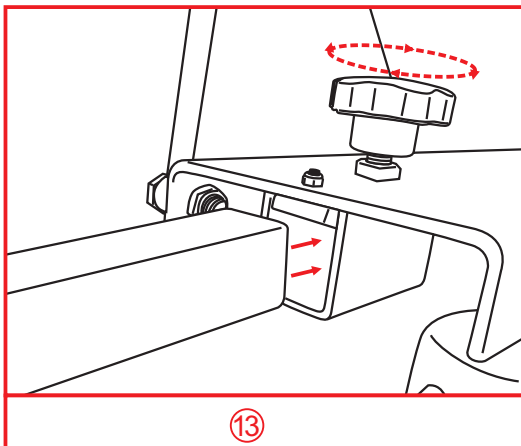
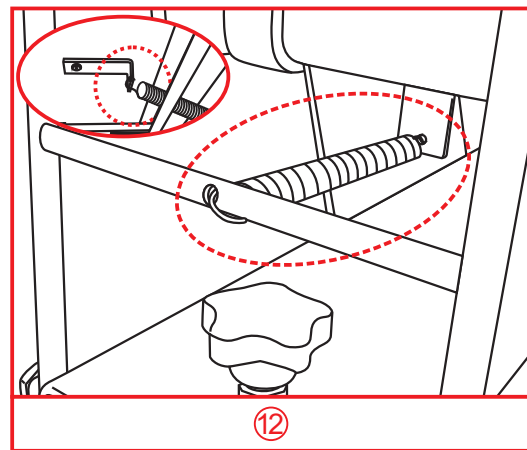
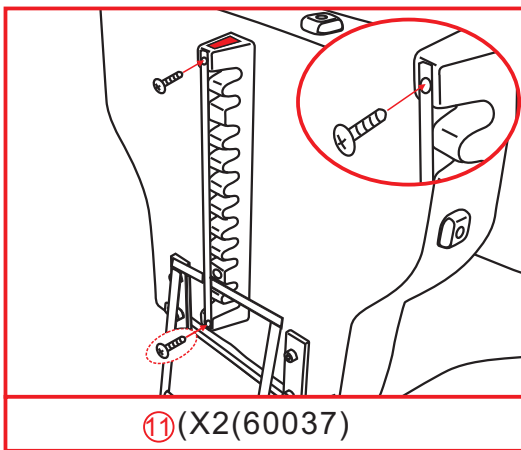
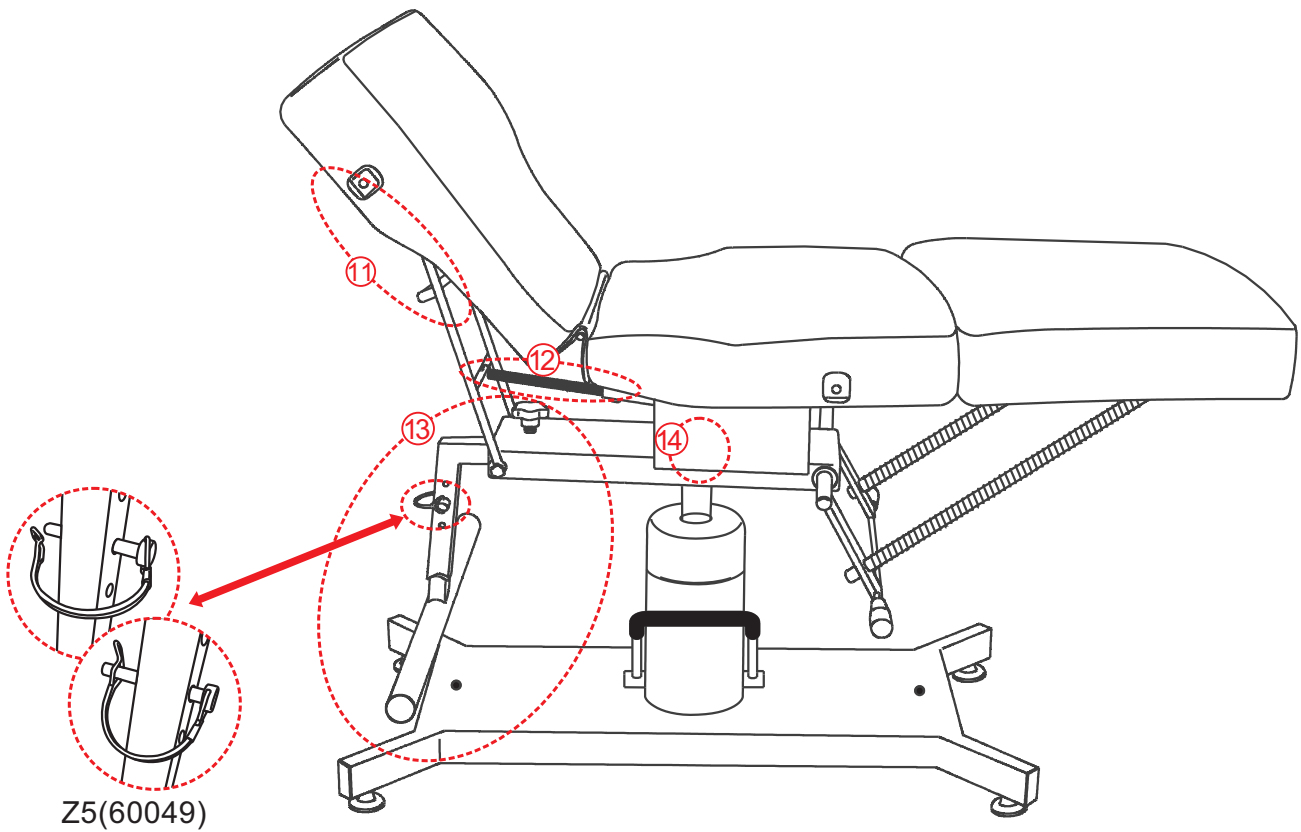
# ASSEMBLY INSTRUCTIONS



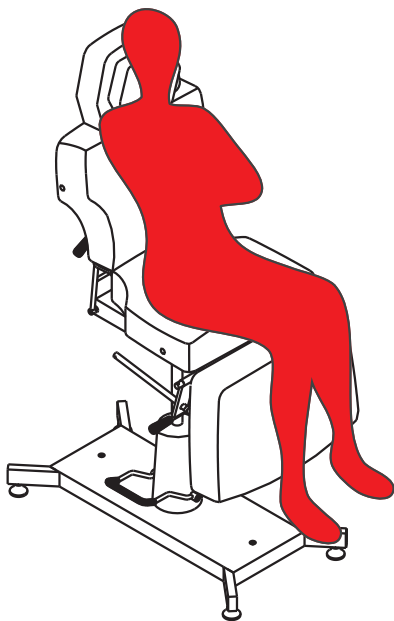
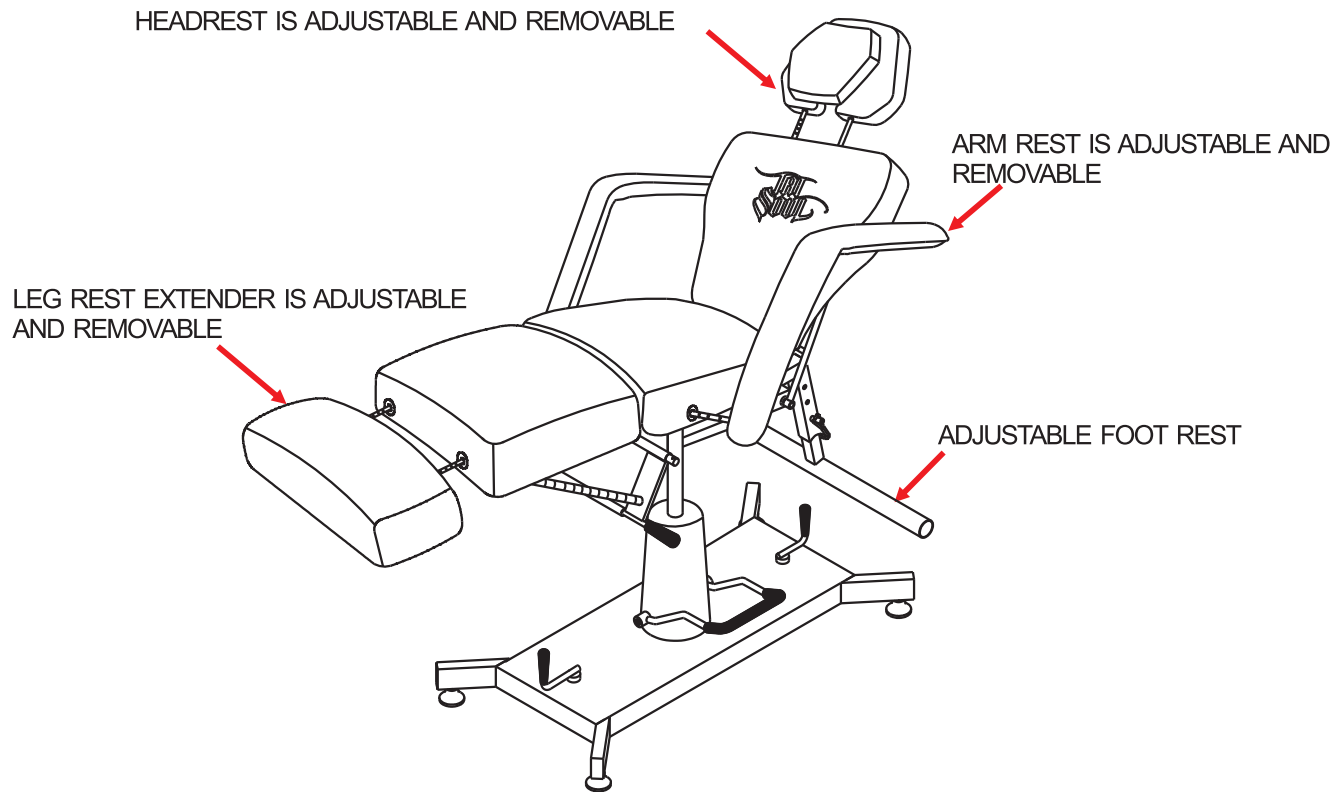
# ASSEMBLY INSTRUCTIONS



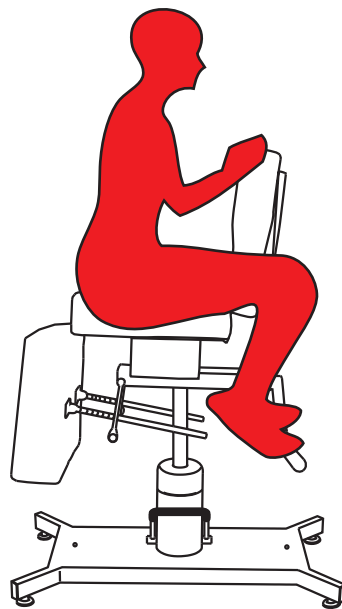
# ASSEMBLY INSTRUCTIONS



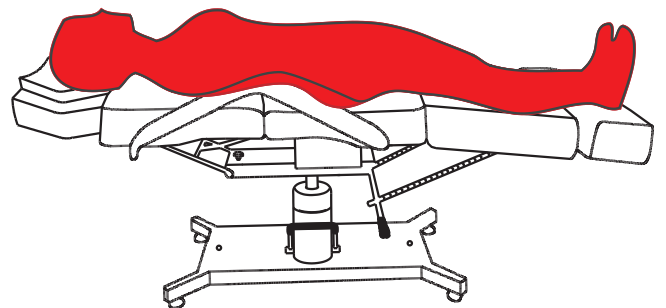
# OPERATING INSTRUCTIONS



CHAIR  
POSITION



STRADDLE  
POSITION



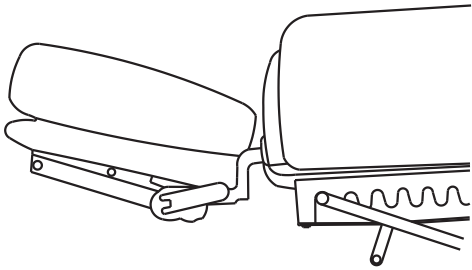
BED POSITION

**WARNING:**

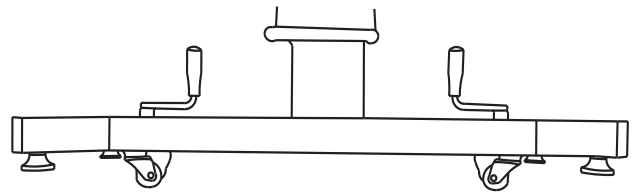
**DO NOT POSITION CHAIR IN BED FORMAT PERPENDICULAR TO LONG PORTION OF BASE!**

## OPTIONAL ACCESSORIES

Face Cradle



TAT Soul Landing Gear  
Retractable Wheels



300 Protective Covers



# VINYL AFTERCARE

---

**1. Cleaning Instructions.** To ensure the safety and life of your vinyl seats, please use only specified cleaners and cleaning materials listed below.

**2. Accepted Cleaners.** Mix a small amount of mild dish soap with warm(not hot) water . Dip a very soft-bristled brush or soft cloth into the soapy water and gently scrub with seats in a circular motion. Wipe the water off with another soft, dry cloth.

**3. Unacceptable Cleaners.** Do not use abrasive cleaning compounds such as bleach or ammonia. They will harm the vinyl and, over time, cause the material to fade or tear. Also, do not use:

Concentrated detergents

Silicone oils

Waxes

Petroleum distillates

Dry cleaning fluids

Solvents

Steel wool

Sharp cleaning tools

Abrasive cleaning materials or impements

Acid-based cleaners



## CONTACT INFORMATION:

---

If you have any questions about our products, feel free to contact us via email or by phone. We are available via telephone during PST business hours. We try to respond to emails within a few hours of their receipt, even during evenings and weekends.

---

### General Information:

Email: [sales@tatsoul.com](mailto:sales@tatsoul.com)

Fax: 1-800-768-5643

### Sales:

Email: [sales@tatsoul.com](mailto:sales@tatsoul.com)

Telephone: 1-888-TAT-SOUL  
(1-888-828-7685) Option 1

### Technical Support:

Email: [support@tatsoul.com](mailto:support@tatsoul.com)

Telephone: 1-888-TAT-SOUL  
(1-888-828-7685) Option 2