

---

# Quick start installation manual

Congratulations on the purchase of your new WORKDONE Hard Drive Caddy.

Our quick guide provides basic installation instructions, and for further information and guidance, visit our support portal.



ENGLISH



ESPAÑOL



DEUTSCH



ITALIANO



FRANÇAIS





# Final checklist before installation:



My DELL PowerEdge server has a **3.5-inch Drive Bay**

## Drive Bay



I have checked the DELL PowerEdge **model compatibility sheet**

Dell PowerEdge Generation	T40	T410	T411	T420
Microservers				
R540	R540	R540	R540	R540
R640	R640	R640	R640	R640
M640	M640	M640	M640	M640
M740	M740	M740	M740	M740
M840	M840	M840	M840	M840
M940	M940	M940	M940	M940
M1040	M1040	M1040	M1040	M1040
M1140	M1140	M1140	M1140	M1140
M1240	M1240	M1240	M1240	M1240
M1340	M1340	M1340	M1340	M1340
M1440	M1440	M1440	M1440	M1440
M1540	M1540	M1540	M1540	M1540
M1640	M1640	M1640	M1640	M1640
M1740	M1740	M1740	M1740	M1740
M1840	M1840	M1840	M1840	M1840
M1940	M1940	M1940	M1940	M1940
M2040	M2040	M2040	M2040	M2040
M2140	M2140	M2140	M2140	M2140
M2240	M2240	M2240	M2240	M2240
M2340	M2340	M2340	M2340	M2340
M2440	M2440	M2440	M2440	M2440
M2540	M2540	M2540	M2540	M2540
M2640	M2640	M2640	M2640	M2640
M2740	M2740	M2740	M2740	M2740
M2840	M2840	M2840	M2840	M2840
M2940	M2940	M2940	M2940	M2940
M3040	M3040	M3040	M3040	M3040
M3140	M3140	M3140	M3140	M3140
M3240	M3240	M3240	M3240	M3240
M3340	M3340	M3340	M3340	M3340
M3440	M3440	M3440	M3440	M3440
M3540	M3540	M3540	M3540	M3540
M3640	M3640	M3640	M3640	M3640
M3740	M3740	M3740	M3740	M3740
M3840	M3840	M3840	M3840	M3840
M3940	M3940	M3940	M3940	M3940
M4040	M4040	M4040	M4040	M4040
M4140	M4140	M4140	M4140	M4140
M4240	M4240	M4240	M4240	M4240
M4340	M4340	M4340	M4340	M4340
M4440	M4440	M4440	M4440	M4440
M4540	M4540	M4540	M4540	M4540
M4640	M4640	M4640	M4640	M4640
M4740	M4740	M4740	M4740	M4740
M4840	M4840	M4840	M4840	M4840
M4940	M4940	M4940	M4940	M4940
M5040	M5040	M5040	M5040	M5040
M5140	M5140	M5140	M5140	M5140
M5240	M5240	M5240	M5240	M5240
M5340	M5340	M5340	M5340	M5340
M5440	M5440	M5440	M5440	M5440
M5540	M5540	M5540	M5540	M5540
M5640	M5640	M5640	M5640	M5640
M5740	M5740	M5740	M5740	M5740
M5840	M5840	M5840	M5840	M5840
M5940	M5940	M5940	M5940	M5940
M6040	M6040	M6040	M6040	M6040
M6140	M6140	M6140	M6140	M6140
M6240	M6240	M6240	M6240	M6240
M6340	M6340	M6340	M6340	M6340
M6440	M6440	M6440	M6440	M6440
M6540	M6540	M6540	M6540	M6540
M6640	M6640	M6640	M6640	M6640
M6740	M6740	M6740	M6740	M6740
M6840	M6840	M6840	M6840	M6840
M6940	M6940	M6940	M6940	M6940
M7040	M7040	M7040	M7040	M7040
M7140	M7140	M7140	M7140	M7140
M7240	M7240	M7240	M7240	M7240
M7340	M7340	M7340	M7340	M7340
M7440	M7440	M7440	M7440	M7440
M7540	M7540	M7540	M7540	M7540
M7640	M7640	M7640	M7640	M7640
M7740	M7740	M7740	M7740	M7740
M7840	M7840	M7840	M7840	M7840
M7940	M7940	M7940	M7940	M7940
M8040	M8040	M8040	M8040	M8040
M8140	M8140	M8140	M8140	M8140
M8240	M8240	M8240	M8240	M8240
M8340	M8340	M8340	M8340	M8340
M8440	M8440	M8440	M8440	M8440
M8540	M8540	M8540	M8540	M8540
M8640	M8640	M8640	M8640	M8640
M8740	M8740	M8740	M8740	M8740
M8840	M8840	M8840	M8840	M8840
M8940	M8940	M8940	M8940	M8940
M9040	M9040	M9040	M9040	M9040
M9140	M9140	M9140	M9140	M9140
M9240	M9240	M9240	M9240	M9240
M9340	M9340	M9340	M9340	M9340
M9440	M9440	M9440	M9440	M9440
M9540	M9540	M9540	M9540	M9540
M9640	M9640	M9640	M9640	M9640
M9740	M9740	M9740	M9740	M9740
M9840	M9840	M9840	M9840	M9840
M9940	M9940	M9940	M9940	M9940
M10040	M10040	M10040	M10040	M10040



My DELL PowerEdge server has a **Hot-Plug backplane**



I want to add a **big 3.5-inch Hard Drive** to my DELL PowerEdge server





## Drive Bay

The same server model is delivered with **two different drive bay sizes**. Verify whether your server model has a **bigger 4.2-inch / 10.6 cm drive bay size** for 3.5-inch hard drives.



**2.9-inch / 7.4 cm**



**4.2-inch /  
10.6 cm**





## Dell PowerEdge Front Drive Bay sizes



	Server Generation	Measurement of Hard Drive, wide	Measurement of DriveBay, wide
<b>2.5"</b>	16th–14th	2.8 inch / 7 cm	2.9 inch / 7.4 cm
	13th–11th	2.8 inch / 7 cm	3 inch / 7.7 cm
<b>3.5"</b>	16th–14th	4 inch / 10.2 cm	4.2 inch / 10.6 cm
	13th–11th	4 inch / 10.2 cm	4.2 inch / 10.7 cm



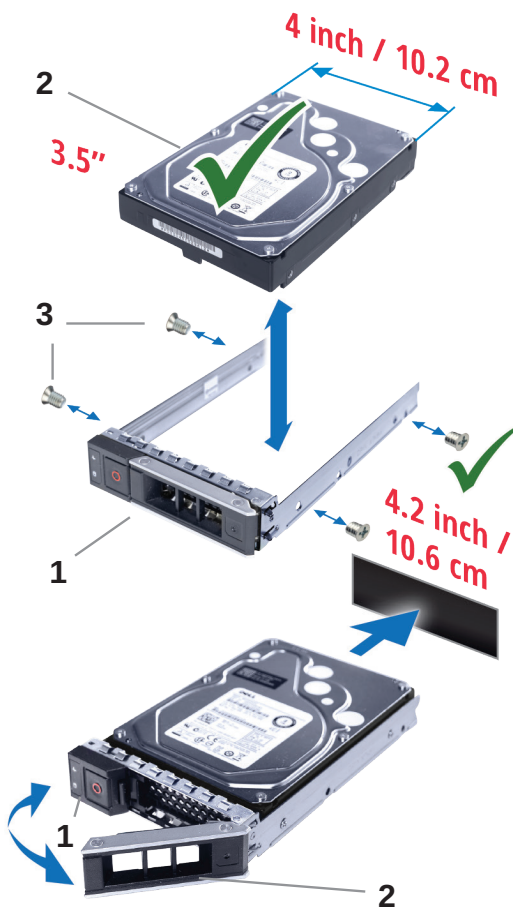
## Installing a 3.5" Hard-Drive Into a 3.5" Hard-Drive Carrier

1. Insert the hard drive into the carrier with the SATA/SAS connector end facing the back.
2. Align the screw holes on the hard drive with the back set of holes on the carrier. Ensure the back of the hard drive is flush with the carrier.
3. Secure the hard drive to the carrier using the provided screws (4pcs).

- 
1. Hard-drive carrier
  2. Hard-drive
  3. Screws (4pcs)
- 

## Installing a Hot-Swap Hard Drive:

1. Remove any installed hard-drive blank from the slot.
2. Press the release button (1) and open the carrier handle (2).
3. Slide the carrier into the slot until it connects with the backplane. Close the handle (2) to lock the hard drive in place.





## Hard-Drive Indicator Codes

Each hard drive carrier has an activity LED indicator and a status LED indicator. The indicators provide information about the current status of the hard drive.

Drive-status indicator pattern (RAID only)	Condition
Flashes <b>green</b> twice per second	Identifying drive or preparing for removal
Off	Drive ready for insertion or removal
Flashes <b>green</b> , <b>amber</b> , and turns off	Predicted drive failure
Flashes <b>amber</b> four times per second	Drive failed
Flashes <b>green</b> slowly	Drive rebuilding
Flashes <b>green</b> for three seconds, <b>amber</b> for three seconds, and turns off after six seconds	Rebuild stopped

---

# Manual de instalación rápida

ESPAÑOL



Enhorabuena por la compra de su nuevo soporte para disco duro WORKDONE.

Nuestra guía de inicio rápido proporciona instrucciones básicas de instalación; para más información y orientación visite nuestro portal de servicio.





# Lista de comprobación final antes de la instalación:

**PASO 01**

Mi servidor DELL PowerEdge tiene una **bahía de unidad de 3,5 in**

**Alojamiento de la unidad de disco**



**PASO 02**

He comprobado la **hoja de compatibilidad de los modelos DELL PowerEdge**

DELL PowerEdge Generation	1st	2nd	3rd	7th
Workstations	R340	R340	R340	R911
	R340	R340	R340	R911L
	R340	R340	R340	R911S
	R340	R340	R340	R911S2
	R340	R340	R340	R911S3
	R340	R340	R340	R911S4
	R340	R340	R340	R911S5
	R340	R340	R340	R911S6
	R340	R340	R340	R911S7
	R340	R340	R340	R911S8
	R340	R340	R340	R911S9
	R340	R340	R340	R911S10
	R340	R340	R340	R911S11
	R340	R340	R340	R911S12
	R340	R340	R340	R911S13
	R340	R340	R340	R911S14
	R340	R340	R340	R911S15
	R340	R340	R340	R911S16
	R340	R340	R340	R911S17
	R340	R340	R340	R911S18
	R340	R340	R340	R911S19
	R340	R340	R340	R911S20
	R340	R340	R340	R911S21
	R340	R340	R340	R911S22
	R340	R340	R340	R911S23
	R340	R340	R340	R911S24
	R340	R340	R340	R911S25
	R340	R340	R340	R911S26
	R340	R340	R340	R911S27
	R340	R340	R340	R911S28
	R340	R340	R340	R911S29
	R340	R340	R340	R911S30
	R340	R340	R340	R911S31
	R340	R340	R340	R911S32
	R340	R340	R340	R911S33
	R340	R340	R340	R911S34
	R340	R340	R340	R911S35
	R340	R340	R340	R911S36
	R340	R340	R340	R911S37
	R340	R340	R340	R911S38
	R340	R340	R340	R911S39
	R340	R340	R340	R911S40
	R340	R340	R340	R911S41
	R340	R340	R340	R911S42
	R340	R340	R340	R911S43
	R340	R340	R340	R911S44
	R340	R340	R340	R911S45
	R340	R340	R340	R911S46
	R340	R340	R340	R911S47
	R340	R340	R340	R911S48
	R340	R340	R340	R911S49
	R340	R340	R340	R911S50
	R340	R340	R340	R911S51
	R340	R340	R340	R911S52
	R340	R340	R340	R911S53
	R340	R340	R340	R911S54
	R340	R340	R340	R911S55
	R340	R340	R340	R911S56
	R340	R340	R340	R911S57
	R340	R340	R340	R911S58
	R340	R340	R340	R911S59
	R340	R340	R340	R911S60
	R340	R340	R340	R911S61
	R340	R340	R340	R911S62
	R340	R340	R340	R911S63
	R340	R340	R340	R911S64
	R340	R340	R340	R911S65
	R340	R340	R340	R911S66
	R340	R340	R340	R911S67
	R340	R340	R340	R911S68
	R340	R340	R340	R911S69
	R340	R340	R340	R911S70
	R340	R340	R340	R911S71
	R340	R340	R340	R911S72
	R340	R340	R340	R911S73
	R340	R340	R340	R911S74
	R340	R340	R340	R911S75
	R340	R340	R340	R911S76
	R340	R340	R340	R911S77
	R340	R340	R340	R911S78
	R340	R340	R340	R911S79
	R340	R340	R340	R911S80
	R340	R340	R340	R911S81
	R340	R340	R340	R911S82
	R340	R340	R340	R911S83
	R340	R340	R340	R911S84
	R340	R340	R340	R911S85
	R340	R340	R340	R911S86
	R340	R340	R340	R911S87
	R340	R340	R340	R911S88
	R340	R340	R340	R911S89
	R340	R340	R340	R911S90
	R340	R340	R340	R911S91
	R340	R340	R340	R911S92
	R340	R340	R340	R911S93
	R340	R340	R340	R911S94
	R340	R340	R340	R911S95
	R340	R340	R340	R911S96
	R340	R340	R340	R911S97
	R340	R340	R340	R911S98
	R340	R340	R340	R911S99
	R340	R340	R340	R911S100

**PASO 03**

Mi servidor DELL PowerEdge está equipado con una **placa base Hot-Plug**



**PASO 04**

Quiero añadir un disco duro **grande de 3,5 in** a mi servidor DELL PowerEdge

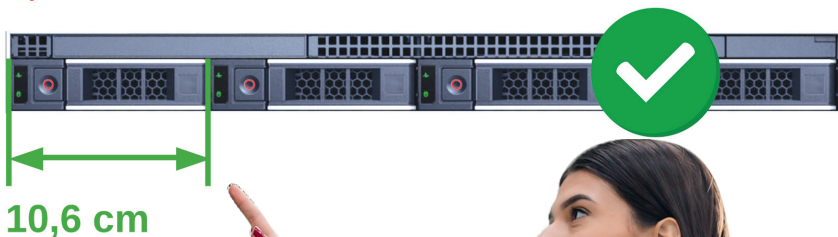
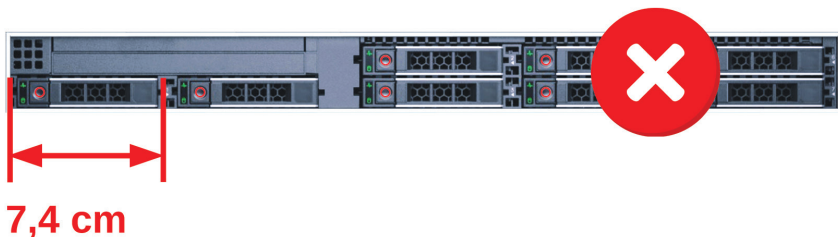






## Drive Bay

El mismo modelo de servidor viene con **dos tamaños diferentes tamaños de bahías de unidad**. Compruebe si su modelo de servidor tiene una bahía de unidad más grande de 10,6 cm para discos duros de 3,5 pulgadas.



## Dimensiones del alojamiento frontal de la unidad Dell PowerEdge

	Generación Servidor	Dimensión del disco duro, ancho	Dimensión alojamiento de unidad, ancho
<b>2.5"</b>	16 <sup>^</sup> -14 <sup>^</sup>	7 cm	7,4 cm
	13 <sup>^</sup> -11 <sup>^</sup>	7 cm	7,7 cm
<b>3.5"</b>	16 <sup>^</sup> -14 <sup>^</sup>	10,2 cm	10,6 cm
	13 <sup>^</sup> -11 <sup>^</sup>	10,2 cm	10,7 cm

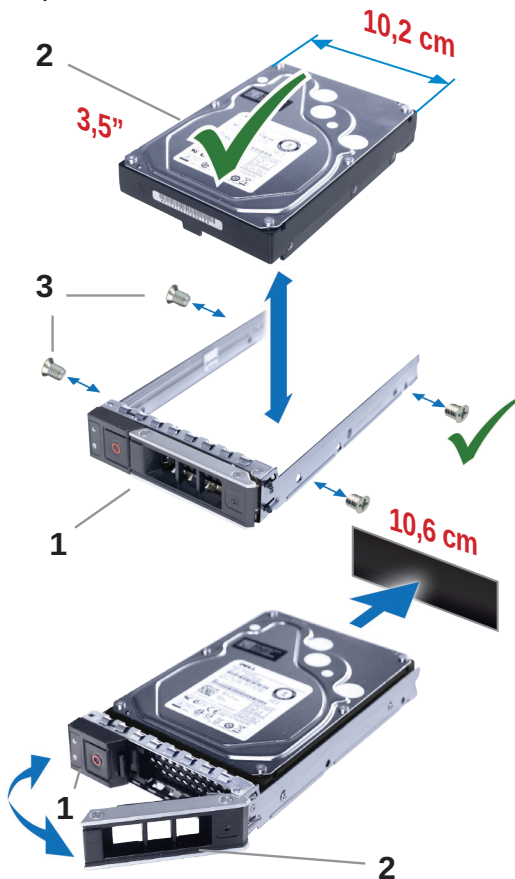
## Instalación de discos duros de 3,5" en un soporte para discos duros de 3,5"

1. Insertar el disco duro en el soporte con el extremo del conector SATA/SAS orientado hacia la parte posterior.
2. Alinear los agujeros de los tornillos del disco duro con los agujeros posteriores del soporte. Asegúrese de que la parte posterior del disco duro está alineada con el soporte.
3. Fijar el disco duro al soporte con los tornillos suministrados. (4pz)

1. Portaunidades de disco duro
2. Disco duro
3. Tornillos (4 uds)

### Instalar un disco duro HotSwap:

1. Retirar el disco duro vacío instalado de la ranura.
2. Presionar el botón de desbloqueo (1) y abrir el asa del soporte (2).
3. Deslizar el soporte en la ranura hasta que se conecte con la placa base. Cerrar el asa (2) para bloquear el disco duro en su sitio.





## Códigos Indicadores de la Unidad de Disco Duro

Cada portauidades dispone de un indicador LED de actividad y otro indicador LED de estado. Los indicadores proporcionan información sobre el estado presente de la unidad de disco duro.

### Patrón del indicador de estado del disco (solo RAID) Condición

Luz **verde** intermitente dos veces por segundo

Identifi cando a la unidad o preparando la unidad para ser expulsada.

Apagado

Unidad lista para ser insertada o removida.

Luz intermitente **verde**, **amarilla**, después de lo cual se apaga

Fallo previsto en la unidad

Luz intermitente **amarilla** cuatro veces por segundo

Unidad fallada.

Luz intermitente **verde** lenta

Reconstrucción de unidad.

Luz constante **verde**

Unidad en línea.

Luz intermitente **verde** por tres segundos, **amarilla** por tres segundos, después de lo cual se apaga al cabo de los seis segundos

Reconstrucción parada.

---

# Schnellstart- anleitung

DEUTSCH



Herzlichen Glückwunsch zum Kauf  
Ihres neuen WORKDONE Hard Drive  
Caddy.

Unsere Kurzanleitung enthält grund-  
legende Installationsanweisungen.  
Weitere Informationen und Anleitun-  
gen finden Sie in unserem Support-  
Portal.





# Abschließende Checkliste vor dem Einbau:



Mein DELL PowerEdge-Server hat einen **3,5 Zoll-Laufwerksschacht**

## Laufwerksschacht



Ich habe das DELL PowerEdge-**Modell-kompatibilitätsblatt** überprüft

DELL PowerEdge Generation	T10	T11	T12	T13
Modellnummern	P240 M620 M630 M640	P240 P240 P240 P240	M620 M620 M620 M620	M610 M610 M610 M610
Modellnummern	P240 M620 M630 M640	P240 P240 P240 P240	M620 M620 M620 M620	M610 M610 M610 M610



Mein DELL PowerEdge-Server hat eine **Hot-Plug-Backplane**



Ich möchte eine **große 3,5-Zoll-Festplatte** in meinen DELL PowerEdge-Server einbauen





## Laufwerksschacht

Das gleiche Servermodell wird mit **zwei verschiedenen Laufwerksschachtgrößen geliefert**. Prüfen Sie, ob Ihr Servermodell über einen **größeren 10,6 cm großen Laufwerksschacht für 3,5-Zoll-Festplatten** verfügt.



7,4 cm



10,6 cm





## Dell PowerEdge Vordere Laufwerksschachtgrößen



	Server- Generation	Abmessung des Festplat- tenlaufwerks, Breite	Abmessung des Laufwerks- schachts, Breite
<b>2.5"</b>	16. - 14.	7 cm	7,4 cm
	13. - 11.	7 cm	7,7 cm
<b>3.5"</b>	16. - 14.	10,2 cm	10,6 cm
	13. - 11.	10,2 cm	10,6 cm

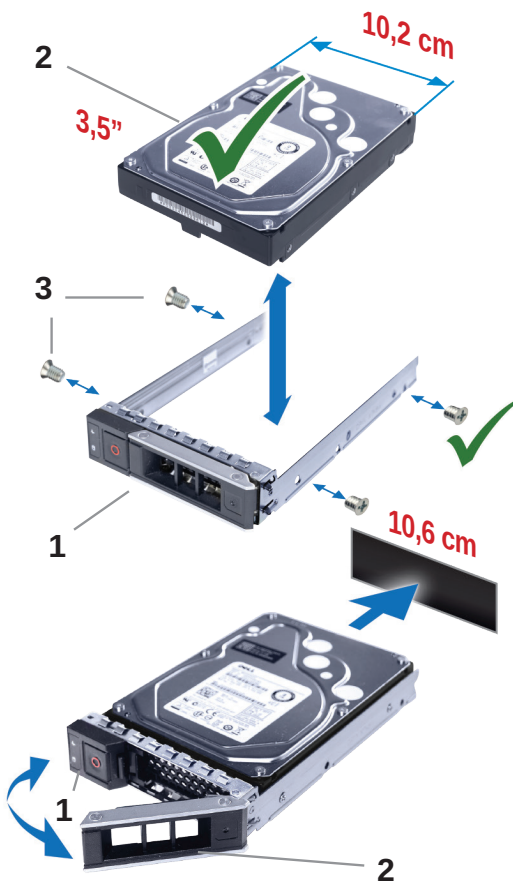
## Installing a 3.5" Hard-Drive Into a 3.5" Hard-Drive Carrier

1. Insert the hard drive into the carrier with the SATA/SAS connector end facing the back.
2. Align the screw holes on the hard drive with the back set of holes on the carrier. Ensure the back of the hard drive is flush with the carrier.
3. Secure the hard drive to the carrier using the provided screws (4pcs).

- 
1. Hard-drive carrier
  2. Hard-drive
  3. Screws (4pcs)
- 

## Installing a Hot-Swap Hard Drive:

1. Remove any installed hard-drive blank from the slot.
2. Press the release button (1) and open the carrier handle (2).
3. Slide the carrier into the slot until it connects with the backplane. Close the handle (2) to lock the hard drive in place.





## Festplatten-Anzeigecodes

Jeder Festplattenträger verfügt über eine Aktivitäts-LED und eine Status-LED. Diese Anzeigen geben Auskunft über den aktuellen Status der Festplatte.

Muster der Laufwerks-Statusanzeige (nur RAID)	Zustand
Blinkt zweimal pro Sekunde <b>grün</b>	Laufwerk wird identifiziert oder das Entfernen wird vorbereitet.
Aus	Laufwerk zum Einsetzen oder zum Entfernen bereit.
Blinkt <b>grün</b> und <b>gelb</b> , dann schaltet sich aus	Vorhersehbarer Laufwerkfehler.
Blinkt viermal pro Sekunde <b>gelb</b>	Laufwerk ist ausgefallen.
Blinkt langsam <b>grün</b>	Laufwerk Rebuild ist aktiv.
<b>Grünes</b> Dauerlicht	Laufwerk online.
Blinkt drei Sekunden lang <b>grün</b> , dann drei Sekunden lang <b>gelb</b> und schaltet sich nachher aus	der Rebuild wurde gestoppt.

---

# Manuale di installazione rapida

ITALIANO



Congratulazioni per l'acquisto del tuo nuovo Hard Drive Caddy WORKDONE.

La nostra guida rapida fornisce istruzioni di base per l'installazione; per ulteriori informazioni e indicazioni, visitate il nostro portale di assistenza.





# Lista di controllo **finale prima dell'installazione:**



Il Server My DELL PowerEdge ha un **alloggiamento per unità da 3,5 pollici**

## Alloggiamento unità disco



Ho controllato la **scheda di compatibilità dei modelli DELL PowerEdge**

DELL PowerEdge Generation	T40	T41	T42	T43
Workstations	P420	P420	P420	P420
	M500	P420	M500	M510
	M500	P420	M500	M510
	M500	P420	M500	M510
	M500	P420	M500	M510
	M500	P420	M500	M510
	M500	P420	M500	M510
	M500	P420	M500	M510
Server Models	P240	P240	M600	M610
	M600	P240	M600	M610
	M600	P240	M600	M610
	M600	P240	M600	M610
	M600	P240	M600	M610
	M600	P240	M600	M610
	M600	P240	M600	M610
	M600	P240	M600	M610



Il mio server DELL PowerEdge è dotato di un **backplane Hot-Plug**



Voglio aggiungere un **grande disco rigido da 3,5 pollici** al mio server DELL PowerEdge





## Alloggiamento unità disco

Lo stesso modello di server viene fornito con **due dimensioni diverse di alloggiamento** dell'unità. Controlla se il tuo modello di server abbia un **alloggiamento più grande da 10,6 cm per hard drive da 3,5 pollici**.



7,4 cm



10,6 cm





## Dimensioni alloggiamento anteriore unità Dell PowerEdge



	Generazione Server	Misura Hard Drive, ampia	Misura Alloggiamento Unità, ampia
<b>2.5"</b>	16 <sup>^</sup> -14 <sup>^</sup>	7 cm	7,4 cm
	13 <sup>^</sup> -11 <sup>^</sup>	7 cm	7,7 cm
<b>3.5"</b>	16 <sup>^</sup> -14 <sup>^</sup>	10,2 cm	10,6 cm
	13 <sup>^</sup> -11 <sup>^</sup>	10,2 cm	10,7 cm





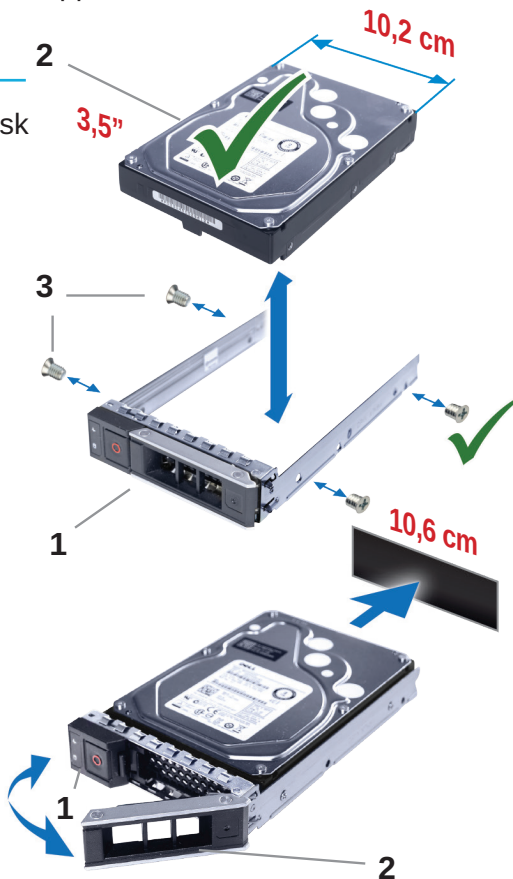
## Installazione Hard Drive da 3,5" in un Supporto per Hard Drive da 3,5".

1. Inserire il disco rigido nel supporto con l'estremità del connettore SATA/SAS rivolta verso il retro.
2. Allineare i fori per le viti del disco rigido con la serie di fori posteriori del supporto. Assicurarsi che la parte posteriore del disco rigido sia in linea con il supporto.
3. Fissare il disco rigido al supporto utilizzando le viti in dotazione. (4pz)

1. Supporto dell'hard disk
2. Hard disk
3. Viti (4 pezzi)

## Installare un Hard Drive HotSwap:

1. Rimuovere il disco rigido vuoto installato dallo slot.
2. Premere il pulsante di rilascio (1) e aprire la maniglia del supporto (2).
3. Far scorrere il supporto nello slot finché non si collega al backplane. Chiudere la maniglia (2) per bloccare il disco rigido in posizione.





## Codici dell'indicatore del disco rigido

Ogni supporto del disco rigido ha un indicatore LED di attività e un indicatore LED di stato. Gli indicatori forniscono informazioni sullo stato attuale del disco rigido.

Pattern di indicatore status del Disco (solo RAID)	Condizione
Luce lampeggiante <b>verde</b> due volte al secondo	Identificazione dell'unità o preparazione per la rimozione.
Off	Disco pronto per l'inserimento o la rimozione.
Luce lampeggiante <b>verde</b> , <b>ambra</b> e poi si spegne	Previsto guasto del disco.
Luce lampeggiante <b>ambra</b> quattro volte al secondo	Disco guasto.
Luce lampeggiante lenta <b>verde</b>	Ricostruzione del disco.
<b>Verde</b> fisso	Disco online.
Luce lampeggiante <b>verde</b> per tre secondi, <b>ambra</b> per tre secondi, poi si spegne dopo sei secondi	Ricostruzione interrotta.

---

# Manuel d'installation rapide

FRANÇAIS



Nous vous félicitons pour l'achat de votre nouveau boîtier pour disque dur WORKDONE.

Notre guide rapide fournit des instructions d'installation de base, et pour plus d'informations et de conseils, Rendez-vous sur notre portail d'assistance.



# Liste de contrôle finale avant l'installation :

ÉTAPE 01

Mon serveur DELL PowerEdge est équipé est équipé d'une **baie de disque 3,5 pouces.**

## Baie de disque



ÉTAPE 02

J'ai vérifié la **fiche de compatibilité pour le modèle** DELL PowerEdge.

DELL PowerEdge Generation	T40	T410	T411	T412
Workstations				
R540	R540	R540	R540	R540
R540S	R540S	R540S	R540S	R540S
R5405	R5405	R5405	R5405	R5405
R5405S	R5405S	R5405S	R5405S	R5405S
R5405T	R5405T	R5405T	R5405T	R5405T
R5405T2	R5405T2	R5405T2	R5405T2	R5405T2
R5405T3	R5405T3	R5405T3	R5405T3	R5405T3
R5405T4	R5405T4	R5405T4	R5405T4	R5405T4
R5405T5	R5405T5	R5405T5	R5405T5	R5405T5
R5405T6	R5405T6	R5405T6	R5405T6	R5405T6
R5405T7	R5405T7	R5405T7	R5405T7	R5405T7
R5405T8	R5405T8	R5405T8	R5405T8	R5405T8
R5405T9	R5405T9	R5405T9	R5405T9	R5405T9
R5405T10	R5405T10	R5405T10	R5405T10	R5405T10
R5405T11	R5405T11	R5405T11	R5405T11	R5405T11
R5405T12	R5405T12	R5405T12	R5405T12	R5405T12
R5405T13	R5405T13	R5405T13	R5405T13	R5405T13
R5405T14	R5405T14	R5405T14	R5405T14	R5405T14
R5405T15	R5405T15	R5405T15	R5405T15	R5405T15
R5405T16	R5405T16	R5405T16	R5405T16	R5405T16
R5405T17	R5405T17	R5405T17	R5405T17	R5405T17
R5405T18	R5405T18	R5405T18	R5405T18	R5405T18
R5405T19	R5405T19	R5405T19	R5405T19	R5405T19
R5405T20	R5405T20	R5405T20	R5405T20	R5405T20
R5405T21	R5405T21	R5405T21	R5405T21	R5405T21
R5405T22	R5405T22	R5405T22	R5405T22	R5405T22
R5405T23	R5405T23	R5405T23	R5405T23	R5405T23
R5405T24	R5405T24	R5405T24	R5405T24	R5405T24
R5405T25	R5405T25	R5405T25	R5405T25	R5405T25
R5405T26	R5405T26	R5405T26	R5405T26	R5405T26
R5405T27	R5405T27	R5405T27	R5405T27	R5405T27
R5405T28	R5405T28	R5405T28	R5405T28	R5405T28
R5405T29	R5405T29	R5405T29	R5405T29	R5405T29
R5405T30	R5405T30	R5405T30	R5405T30	R5405T30
R5405T31	R5405T31	R5405T31	R5405T31	R5405T31
R5405T32	R5405T32	R5405T32	R5405T32	R5405T32
R5405T33	R5405T33	R5405T33	R5405T33	R5405T33
R5405T34	R5405T34	R5405T34	R5405T34	R5405T34
R5405T35	R5405T35	R5405T35	R5405T35	R5405T35
R5405T36	R5405T36	R5405T36	R5405T36	R5405T36
R5405T37	R5405T37	R5405T37	R5405T37	R5405T37
R5405T38	R5405T38	R5405T38	R5405T38	R5405T38
R5405T39	R5405T39	R5405T39	R5405T39	R5405T39
R5405T40	R5405T40	R5405T40	R5405T40	R5405T40
R5405T41	R5405T41	R5405T41	R5405T41	R5405T41
R5405T42	R5405T42	R5405T42	R5405T42	R5405T42
R5405T43	R5405T43	R5405T43	R5405T43	R5405T43
R5405T44	R5405T44	R5405T44	R5405T44	R5405T44
R5405T45	R5405T45	R5405T45	R5405T45	R5405T45
R5405T46	R5405T46	R5405T46	R5405T46	R5405T46
R5405T47	R5405T47	R5405T47	R5405T47	R5405T47
R5405T48	R5405T48	R5405T48	R5405T48	R5405T48
R5405T49	R5405T49	R5405T49	R5405T49	R5405T49
R5405T50	R5405T50	R5405T50	R5405T50	R5405T50
R5405T51	R5405T51	R5405T51	R5405T51	R5405T51
R5405T52	R5405T52	R5405T52	R5405T52	R5405T52
R5405T53	R5405T53	R5405T53	R5405T53	R5405T53
R5405T54	R5405T54	R5405T54	R5405T54	R5405T54
R5405T55	R5405T55	R5405T55	R5405T55	R5405T55
R5405T56	R5405T56	R5405T56	R5405T56	R5405T56
R5405T57	R5405T57	R5405T57	R5405T57	R5405T57
R5405T58	R5405T58	R5405T58	R5405T58	R5405T58
R5405T59	R5405T59	R5405T59	R5405T59	R5405T59
R5405T60	R5405T60	R5405T60	R5405T60	R5405T60
R5405T61	R5405T61	R5405T61	R5405T61	R5405T61
R5405T62	R5405T62	R5405T62	R5405T62	R5405T62
R5405T63	R5405T63	R5405T63	R5405T63	R5405T63
R5405T64	R5405T64	R5405T64	R5405T64	R5405T64
R5405T65	R5405T65	R5405T65	R5405T65	R5405T65
R5405T66	R5405T66	R5405T66	R5405T66	R5405T66
R5405T67	R5405T67	R5405T67	R5405T67	R5405T67
R5405T68	R5405T68	R5405T68	R5405T68	R5405T68
R5405T69	R5405T69	R5405T69	R5405T69	R5405T69
R5405T70	R5405T70	R5405T70	R5405T70	R5405T70
R5405T71	R5405T71	R5405T71	R5405T71	R5405T71
R5405T72	R5405T72	R5405T72	R5405T72	R5405T72
R5405T73	R5405T73	R5405T73	R5405T73	R5405T73
R5405T74	R5405T74	R5405T74	R5405T74	R5405T74
R5405T75	R5405T75	R5405T75	R5405T75	R5405T75
R5405T76	R5405T76	R5405T76	R5405T76	R5405T76
R5405T77	R5405T77	R5405T77	R5405T77	R5405T77
R5405T78	R5405T78	R5405T78	R5405T78	R5405T78
R5405T79	R5405T79	R5405T79	R5405T79	R5405T79
R5405T80	R5405T80	R5405T80	R5405T80	R5405T80
R5405T81	R5405T81	R5405T81	R5405T81	R5405T81
R5405T82	R5405T82	R5405T82	R5405T82	R5405T82
R5405T83	R5405T83	R5405T83	R5405T83	R5405T83
R5405T84	R5405T84	R5405T84	R5405T84	R5405T84
R5405T85	R5405T85	R5405T85	R5405T85	R5405T85
R5405T86	R5405T86	R5405T86	R5405T86	R5405T86
R5405T87	R5405T87	R5405T87	R5405T87	R5405T87
R5405T88	R5405T88	R5405T88	R5405T88	R5405T88
R5405T89	R5405T89	R5405T89	R5405T89	R5405T89
R5405T90	R5405T90	R5405T90	R5405T90	R5405T90
R5405T91	R5405T91	R5405T91	R5405T91	R5405T91
R5405T92	R5405T92	R5405T92	R5405T92	R5405T92
R5405T93	R5405T93	R5405T93	R5405T93	R5405T93
R5405T94	R5405T94	R5405T94	R5405T94	R5405T94
R5405T95	R5405T95	R5405T95	R5405T95	R5405T95
R5405T96	R5405T96	R5405T96	R5405T96	R5405T96
R5405T97	R5405T97	R5405T97	R5405T97	R5405T97
R5405T98	R5405T98	R5405T98	R5405T98	R5405T98
R5405T99	R5405T99	R5405T99	R5405T99	R5405T99
R5405T100	R5405T100	R5405T100	R5405T100	R5405T100

ÉTAPE 03

Mon serveur DELL PowerEdge est équipé d'une **carte-mère enfichable à chaud.**



ÉTAPE 04

Je souhaite ajouter un **gros disque dur de 3,5 pouces** à mon serveur DELL PowerEdge





## Baie de disque

Le même modèle de serveur est livré avec **deux tailles de baie différentes**. Vérifiez si votre modèle de serveur a **une taille de baie plus petite de 10,6 cm pour les disques durs de 3,5 pouces**.



7,4 cm



10,6 cm



## Tailles des baies de disques avant de Dell PowerEdge



**Génération du serveur**

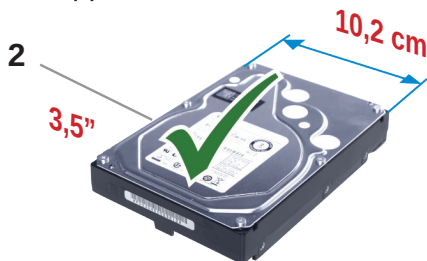
**Dimension du disque dur, en largeur**

**Dimension de la baie de disque, en largeur**

<b>2.5"</b>	16 ème - 14 ème	7 cm	7,4 cm
	13 ème - 11 ème	7 cm	7,7 cm
<b>3.5"</b>	16 ème - 14 ème	10,2 cm	10,6 cm
	13 ème - 11 ème	10,2 cm	10,7 cm

## Installation d'un disque dur de 3,5 pouces dans un support de disque dur de 3,5 pouces

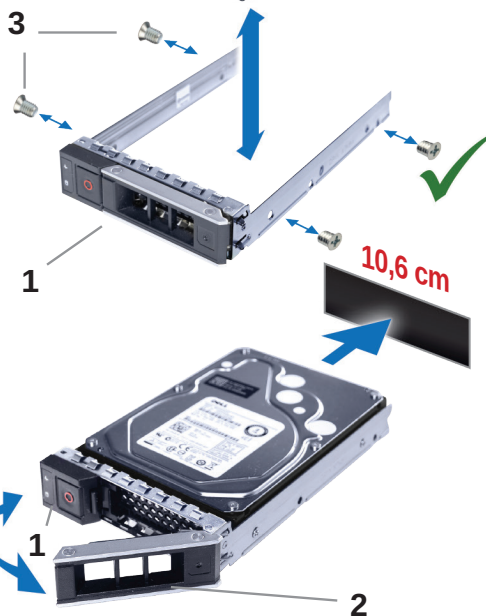
1. Insérez le disque dur dans le support en orientant l'extrémité du connecteur SATA/SAS vers l'arrière.
2. Alignez les trous de vis du disque dur avec les trous arrière du support. Veillez à ce que l'arrière du disque dur soit au même niveau que le support.
3. Fixez le disque dur au support à l'aide des vis fournies (4 unités).



1. Boîtier de disque dur
2. Unité de disque dur
3. Vis (4 u.)

## Installation d'un disque dur enfichable à chaud :

1. Retirez de l'emplacement tout disque dur vierge qui y est installé.
2. Appuyez sur le bouton de déverrouillage (1) et ouvrez la poignée du support (2).
3. Faites glisser le support dans le logement jusqu'à ce qu'il soit connecté à la carte-mère. Fermez la poignée (2) pour verrouiller le disque dur en place.







## Codes de l'Indicateur du Disque Dur

Chaque boîtier d'unité de disque dur est équipé d'un indicateur LED d'activité et d'un indicateur LED d'état. Les indicateurs fournissent de l'informations sur l'état présent de l'unité.

Témoin de statut du disque dur (RAID uniquement)	État
Clignote en <b>vert</b> deux fois par seconde	En train de reconnaître l'unité ou de préparer l'unité pour son relèvement.
Éteint	Unité prête à être introduite ou relevée.
Clignote en <b>vert</b> , en <b>jaune</b> et puis s'éteint	Défaillance prévue du lecteur.
Clignote en <b>jaune</b> quatre fois par seconde	Lecteur échoué.
Clignote en <b>vert</b> lentement	Reconstruction du lecteur.
<b>Vert</b> fixe	Lecteur en linge.
Clignote en <b>vert</b> trois secondes, en <b>jaune</b> pour trois secondes et finalement s'éteint après six secondes	Reconstruction arrêtée.

A woman with long, wavy blonde hair is looking back over her shoulder towards the camera. She is wearing a light-colored, possibly white, collared shirt. The background is a server room with rows of server racks on both sides, illuminated with blue and purple lights, creating a perspective effect.

WE CARE – WE SUPPORT  
**WORKDONE**

your global support portal:

[www.workdone.support](http://www.workdone.support)

Drive Caddy Configurator · Plenty of Downloads · Product PDF Manuals  
Compatibility Sheets · Drive Bay Size Tables · Dell Server Naming  
Dell Caddy Part Numbers · Free eBook Download  
Support Articles · Installation Diagrams

