



# S104 EVO

*1/10 Off Road Racing Electric Buggy*

**SWORKz S104 EVO INSTRUCTION MANUAL**

# **S104EVO**

*1/10 Off Road Racing Electric Buggy*

## **INSTRUCTION**

During the early 2015 Reedy race, SWORKz has developed and prepared a new concept S104 EVO for our brand ambassador Atsushi Hara to race with.

The revised S104 has new parts similar to that of the SWORKz 1/8 FCSS and EVO II system. It is equipped with brand new shocks and has new suspension geometry. The centre diff is standard but can also be easily fitted with a new centre slipper clutch system.

The S104 EVO comes with new stronger arms to better its overall balance and performance

Using our 1/8th buggy material knowledge we produced the S104 EVO series. We believe the S104 EVO will be very strong in the 1/10 buggy scale field and it is also a good balance weight car. The SWORKz S104 EVO 4WD buggy with its FCSS chassis design comes standard with the SWORKz X-system transmission that provides excellent car acceleration. Equipped with New Big Bore Shocks and 3 oil filled gear differentials, the S104 EVO delivers good traction and balance on any off road track. We are following the pivot ball steering system as our 1/8s to give the driver a good feel of the S104 buggy.

The SWORKz S104 EVO 4WD buggy with a stiff 7075 aluminum chassis design, comes standard with SWORKz X-system transmission system. Equipped with full option aluminum parts, Big Bore Shocks and oil filled gear differentials, the S104 EVO delivers good traction and balance. Following the pivot ball steering system from SWORKz 1/8th EVO II buggy, it gives the driver a good feel of the S104 buggy.

The S104 EVO can be fitted with either the saddle pack Li-Po battery or the shorty pack.

In order to withstand the brushless motor's powerful torque, the S104 EVO Pro comes standard with full CNC gear system and CVD drive shafts.

14mm hex wheel hubs are used so that the wheel can last when using the high power brushless motors.

Congratulations on your purchase of the new SWORKz S104 EVO 1/10 scale off-road racing buggy pro kit.

Please read this manual thoroughly, before you attempt to start or drive your S104 EVO. This manual contains step-by-step instructions to help you complete, prepare for startup, and fine-tune your Buggy. Updates, setups, and product news will be posted on our website ([www.sworkz.com](http://www.sworkz.com)), so check often.

As always, if you should ever have any questions or need help with your S104 EVO, please feel free to contact our official SWORKz dealers and distributors, as they will be glad to help you. You may also contact us at any time for the most up to date information and support.

### **S104 EVO Pro Kit Features :**

1. Standard with SWORKz X-System transmission gear system.
2. New Full Oil System Big Bore Shocks.
3. New Strengthen Carbon Fiber shock towers with New Geometry Shock Position.
4. SWORKz F.C.S.S. with B.H.C. Chassis Design.
5. New Strengthen Material arms with new suspension geometry.
6. New Centre Diff System.
7. Aluminum Easy Fit for Motor Holder with Center Diff. Mount.
8. 14mm Hex Wheel Hub system
9. Pivot Ball Steering System
10. New Adjustable Steering Plate with New Bell Crank System.
11. Full aluminum in arm holders and toe in plates.
12. Fits 2 types of Li-Po batteries. (Saddle pack and Shorty park)

<b>Specification</b>	
Length:	385mm
Width:	248mm
Height:	158mm
Ground Clearance:	48mm
Wheelbase:	275-278mm
Track:	F:223mm / R:228mm
Gear Ratio:	C:87T, F/R 42/17T
Weight:	1720g~1820g



## WARRANTY

Your SWORKz S104 EVO kit warranty covers workmanship and manufacturing defects of the original and unmodified parts. Warranty claims resulting from crashes, abuse, improper operation, improper mounting, improper adjustment or lack of maintenance will not be honored.

Contact your local hobby shop or SWORKz distributor for all claims and questions. Claims must be well documented. All Claims are subject to expert examination approval by SWORKz



<b>Instruction</b>	<b>2</b>
<b>Warranty</b>	<b>3</b>
<b>Index</b>	<b>4</b>
<b>Required equipment for operation</b>	<b>5</b>
<b>Explosion view with spare parts number</b>	<b>6-12</b>
<b>Operation guide</b>	<b>13</b>
<b>Assembly steps</b>	<b>14-39</b>
<b>Blank set-up sheet</b>	<b>40</b>
<b>Set-up sheet</b>	<b>41</b>
<b>S104 EVO key no. list</b>	<b>42-43</b>
<b>S104 EVO spare part list</b>	<b>44</b>
<b>S104 EVO option parts list</b>	<b>45</b>

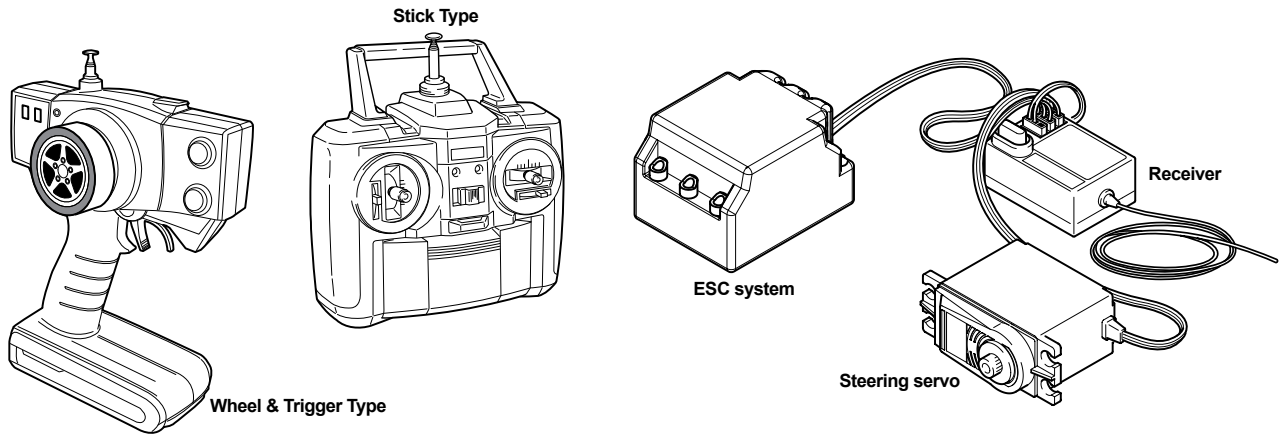


**This radio control racing car is not a toy!  
This high-performance R/C model is recommended for ages  
14 and older.**

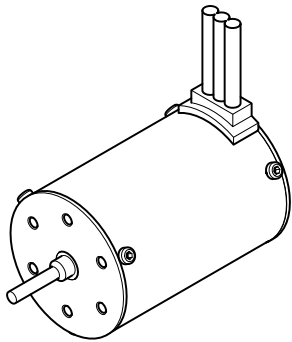


# Required Equipment for Operation

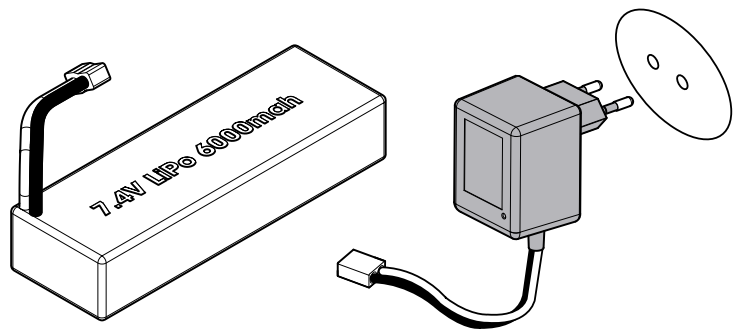
## Radio Gear



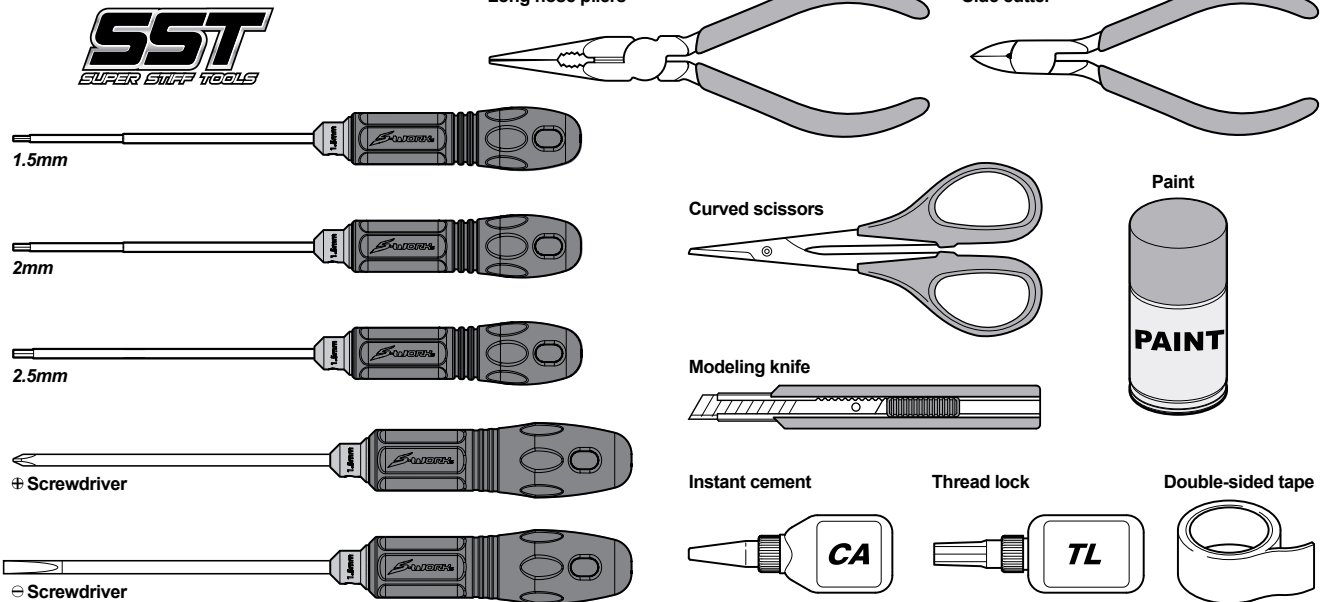
## Breshless Motor



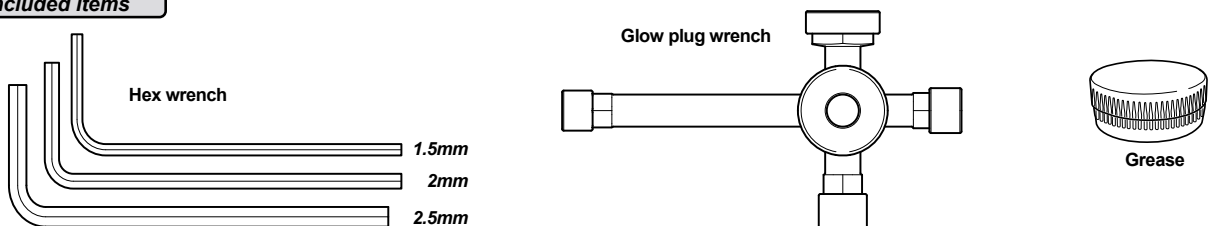
## Charger and LiPo Battery



## Tools Recommended



## Included items





**104004**  
M3x3mm Set Screw x5



**104005**  
M3x4mm Set Screw x4



**104009**  
M3x16mm Set Screw x3



**104008**  
M4x4mm Set Screw x4



**105004**  
M2.6x6mm Cap Screw x4



**106014**  
M2x6mm Hex Scket OH/TP Screw x4



**106018**  
M3x3mm Hex Socket OH/TP Screw x6



**106015**  
M3x5mm Hex Socket OH/TP Screw x7



**106010**  
M3x6mm Hex Socket OH/TP Screw x15



**106001**  
M3x8mm Hex Socket OH/TP Screw x11



**106002**  
M3x10mm Hex Socket OH/TP Screw x16



**106008**  
M3x12mm Hex Scket OH/TP Screw x6



**106005**  
M3x15mm Hex Scket OH/TP Screw x2



**108020**  
M2x4mm FH/ST HEX Screw x4



**108017**  
M2.6x10mm FH/ST HEX Screw x12



**108007**  
M3x6mm FH/ST HEX Screw x9



**108006**  
M3x8mm FH/ST HEX Screw x20



**108003**  
M3x10mm FH/ST HEX Screw x12



**108001**  
M3x12mm FH/ST HEX Screw x12



**108018**  
M3x30mm FH/ST HEX Screw x4



**330331**  
Steering Linkage Ball Stud 4.1mm x2



**330643**  
Steering Linkage Ball Stud 5mm x8



**330155**  
Rear Upper Sus. Arm Turnbuckles x4



**330314**  
Steering Knuckle Pivot Ball Turnbuckle x4



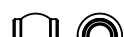
**330315**  
Sway Bar Ball Stud x4



**330312A**  
Aluminum Shock Cap Studk x2



**330597**  
Aluminum Shock Cap Studk x2



**330134**  
Shock Ball Stud x4



**330294**  
CVD Axle x4



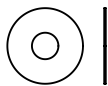
**101012**  
Washer M3x6xT0.5mm **x6**



**101011**  
Shock Washer 2.6x6x0.5mm **x4**



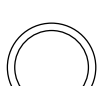
**330305**  
Shock Washer 3.3x6.7x1mm **x4**



**101025**  
Shim 3.5x10x0.1mm **x12**



**101023**  
10x12x0.1mm S104 Shim **x6**



**101024**  
10x12x0.2mm S104 Shim **x2**



**117004**  
Bushing 5x8x2.5mm **x4**



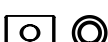
**117003**  
Flange Ball Bearing 3x6x2.5mm **x4**



**116017**  
Ball Bearing 6x12x4mm **x4**



**116013**  
Ball Bearing 10x15x4mm **x14**



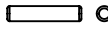
**330295**  
CVD Join **x6**



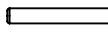
**330545**  
Shock Washer 3.3x6.5x2.5mm **x8**



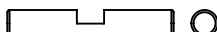
**330316A**  
Aluminum Knuckle Pivot Ball Washer 2mm **x2**



**330283**  
Pin M2x10mm **x12**



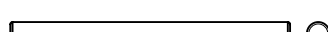
**330285**  
Pin M2x14mm **x4**



**330279**  
Bevel Gear Shaft **x6**



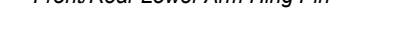
**330293**  
Rear Hub Carriers Hing Pin **x2**



**330332**  
Front Upper Arm Hing Pin **x2**



**330292**  
Front/Rear Lower Arm Hing Pin **x4**



**330532**  
Shock Shaft S **x2**



**330531**  
Shock Shaft L **x2**



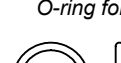
**400018A**  
Shock Seal O-ring 2x2.7mm **x8**



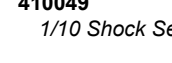
**400002**  
O-ring S5 4.8x1.5 **x6**



**400008**  
O-ring for Pinion Gear **x2**



**410049**  
1/10 Shock Seal Cap O-ring 8x10x1mm **x4**



**410047**  
S102 Shock Cap O-Ring (SP) **x4**



**400014**  
O-Ring 1.5x13.5mm **x4**



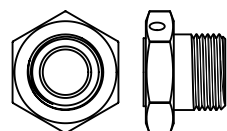
**103001**  
M3 Nut Lock **x8**



**103003A**  
Flange M3 Nut Lock **x1**



**101020A**  
3mm Countersunk Washers (RD) **x9**



**330469A**  
Wheel Hub **x4**



**330298A**  
S104 Wheel Nut 14mm **x4**



**115131**  
Servo Saver Spring **x1**



**115062**  
1/10 Body Clip **x2**



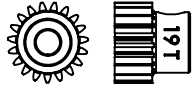
**330544**  
Aluminum Shock Seal Cover **x4**



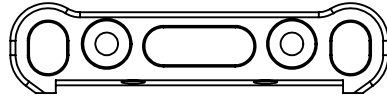
**330547**  
Shock Piston 1.5mmx2 holes **x4**



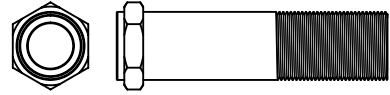
**330304A**  
Aluminum Shock Spring Adjust Nut **x4**



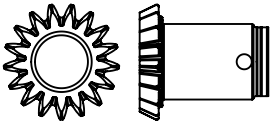
**330409**  
S104 Motor Gear 19T **x1**



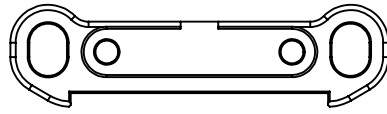
**330598**  
S104 EVO Front Lower Arm Holder **x1**



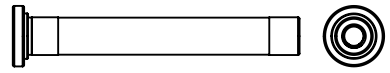
**330328**  
Servo Saver Post **x1**



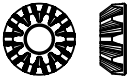
**330286**  
Pinion Gear 17T **x2**



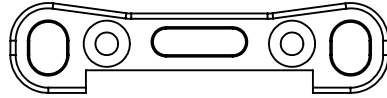
**330595**  
S104 EVO Rear Lower Arm Holder **x1**



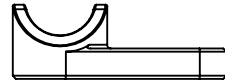
**330327**  
Servo Saver Shaft **x2**



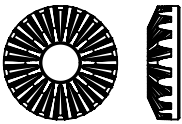
**330278**  
Diff. Bevel Gear 10T **x12**



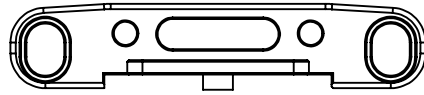
**330606**  
S104 EVO Front Lower Suspension Plate **x1**



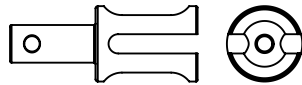
**330600**  
Aluminum Steering Bellcrank A Upper **x1**



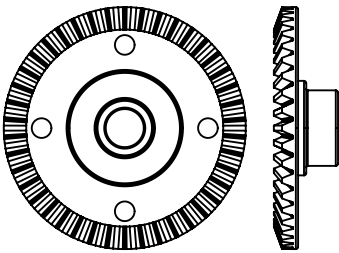
**330277**  
Diff. Bevel Gear 18T **x6**



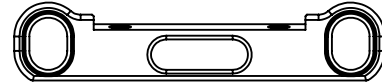
**330596**  
S104 EVO Aluminum Rear Lower Arm Plate(0-3.0D) **x1**



**330282**  
Front/Rear Diff. Outdrive **x6**



**330284**  
Crown Gear 42T **x2**



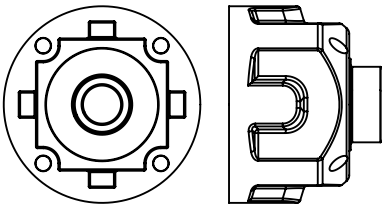
**330342A**  
S104 Aluminum Front Upper Arm Holder (BK) **x1**



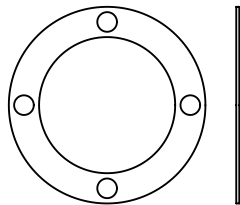
**330329**  
Servo Saver Nut **x1**



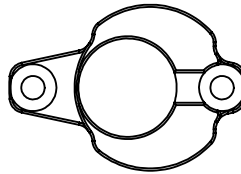
**330604**  
S104 EVO Aluminum Center Motor Mount Cover **x1**



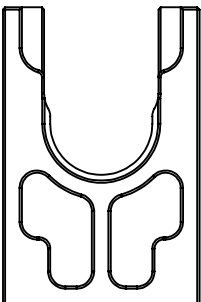
**200463**  
Diff. Case **x3**



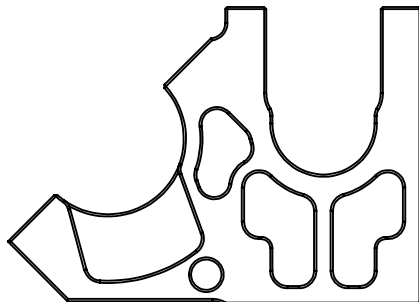
**610012**  
Diff. Gasket(0.4T) **x3**



**330603**  
S104 EVO Aluminum Motor Adjust Mount **x1**



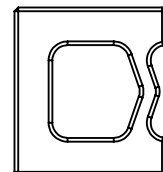
**330605**  
S104 EVO Aluminum Center Diff/Slipper Clutch Mount **x1**



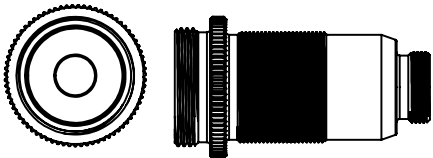
**330602**  
S104 Aluminum Center Slipper Clutch Mount for Motor **x1**



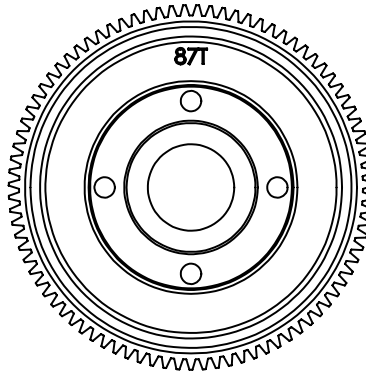
**330613**  
Aluminum Servo Post **x1**



**330612**  
Aluminum Servo Holder **x1**



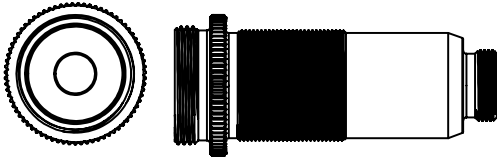
**330530**  
S104EVO/102 Shock Body (S) **x2**



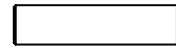
**2502527**  
Center Gear Diff 87T Spur Gear (48DP) **x1**



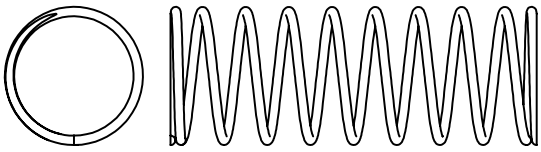
**330338A**  
S104 Aluminum Battery Holder Nut (GM) **x1**



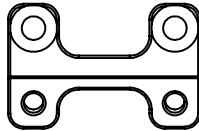
**330529**  
S104EVO/102 Shock Body (L) **x2**



**330473**  
Battery Case Support **x2**



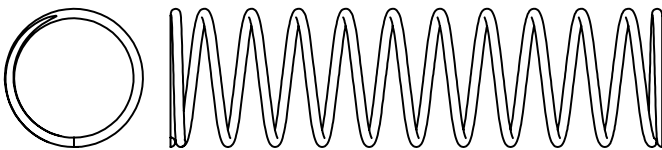
**115090**  
S104EVO/S102 Front Shock Spring(1.3P5.5) **x2**



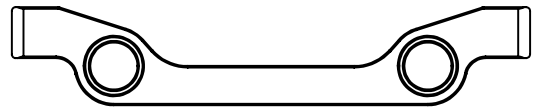
**330607**  
Aluminum Rear Center Support Holder **x1**



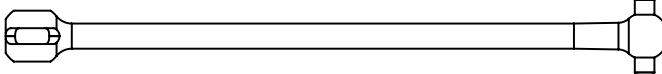
**330546**  
S102 Shock Cap (SP) **x4**



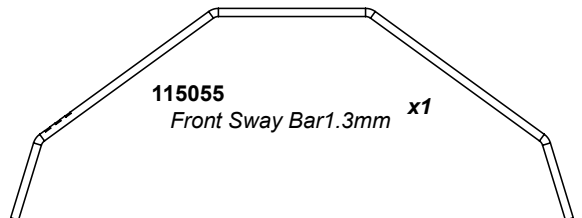
**115091**  
S104EVO/S102 Rear Shock Spring(1.2Px6.0) **x2**



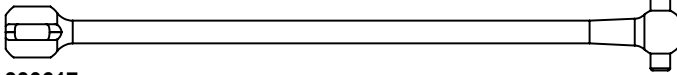
**330601**  
Servo Saver Steering Plate **x1**



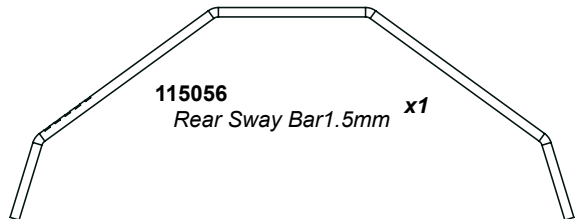
**330296A**  
F/R Drive Shaft 78mm **x4**



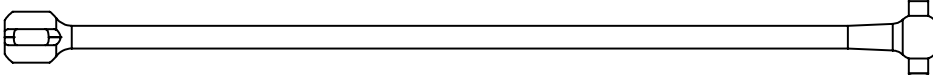
**115055**  
Front Sway Bar 1.3mm **x1**



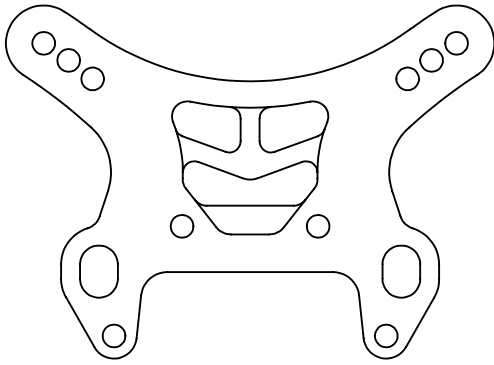
**330617**  
S104 EVO Front Center Drive Shaft 80mm **x1**



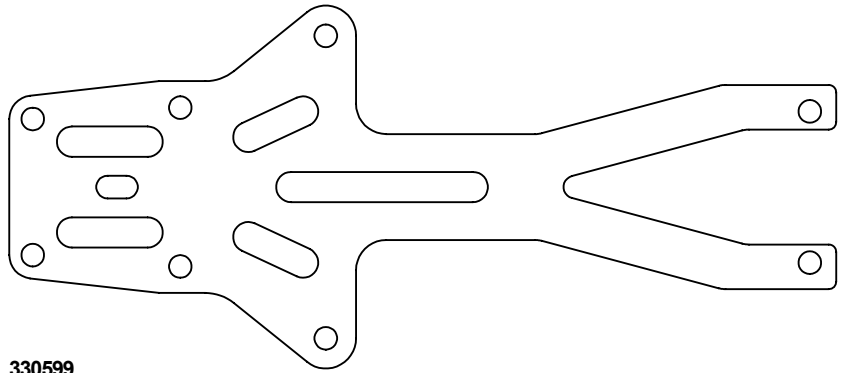
**115056**  
Rear Sway Bar 1.5mm **x1**



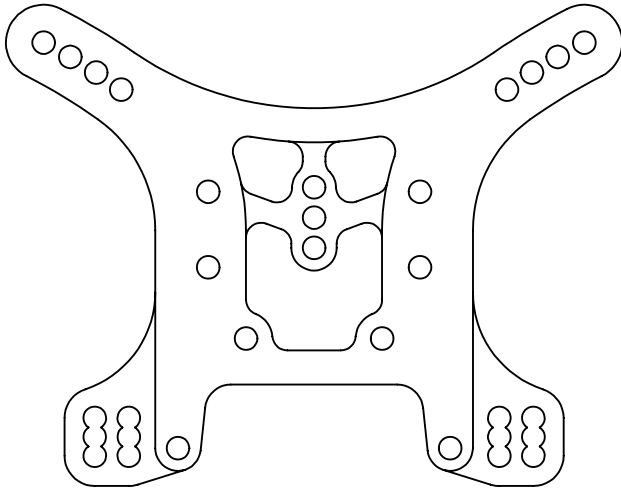
**330616**  
S104 EVO Rear Center Drive Shaft 113mm **x1**



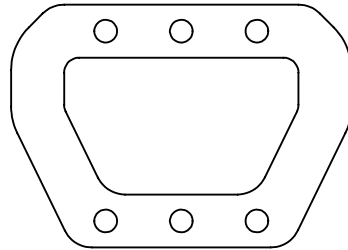
**330476**  
Front Pro-composite Carbon Shock Tower **x1**



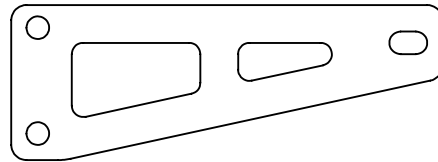
**330599**  
Pro-composite Carbon Center Support (Front) **x1**



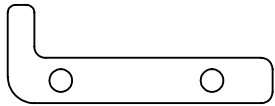
**330477**  
Rear Pro-composite Carbon Shock Tower **x1**



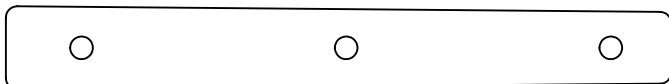
**330610**  
Pro-composite Carbon Center Diff/Slipper Clutch Cover **x1**



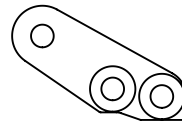
**330614**  
Pro-composite Carbon Servo Linkage Plate **x1**



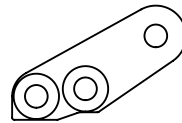
**330611**  
Pro-composite Carbon Battery Case **x2**



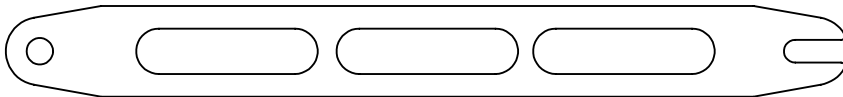
**330615**  
S104 EVO Pro-composite Carbon Chassis Brace **x1**



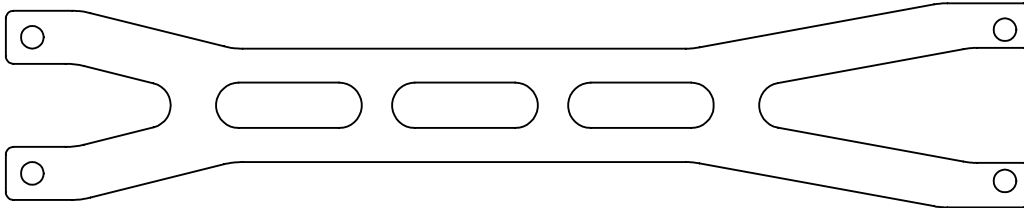
**330347A**  
S104 Pro-composite Carbon Steering Knuckle Plate (L) **x1**



**330348A**  
S104 Pro-composite Carbon Steering Knuckle Plate (R) **x1**

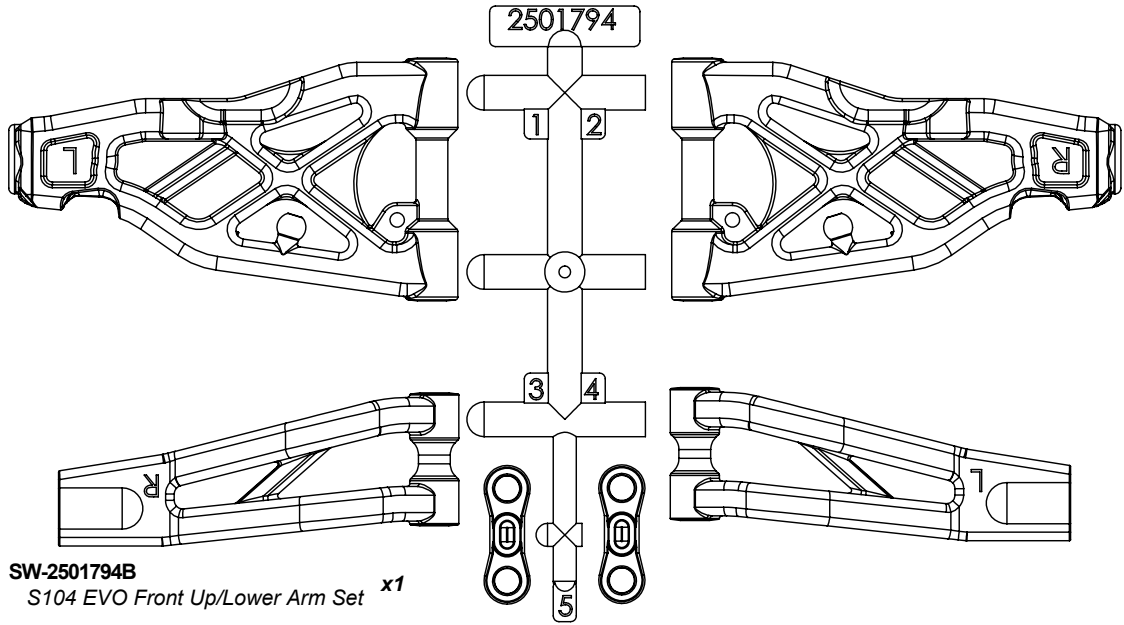


**330618**  
2015 S104 EVO Shorty Pack Pro-composite Carbon Battery Holder **x1**

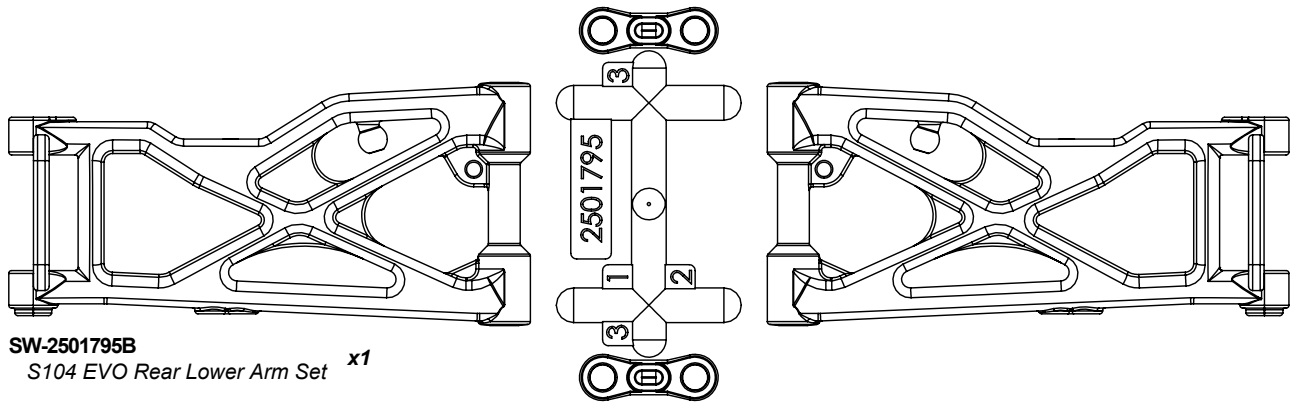


**330609**  
Pro-composite Carbon Center Support (Rear) **x1**

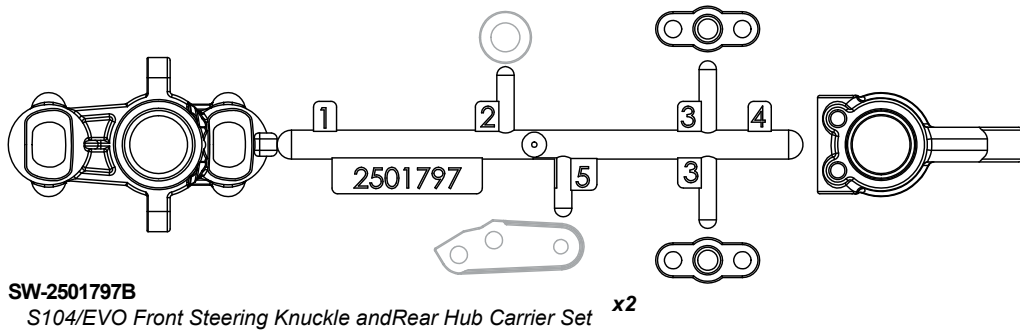




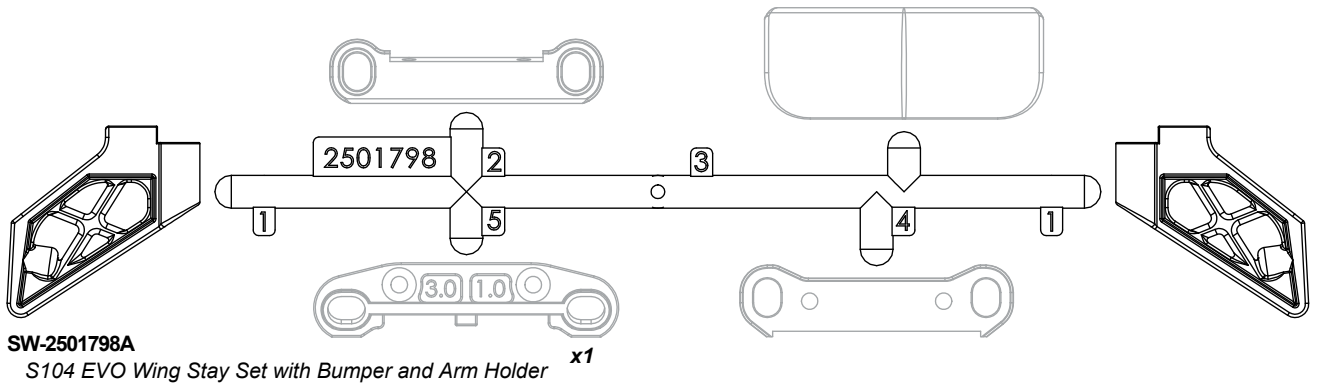
**SW-2501794B**  
S104 EVO Front Up/Lower Arm Set **x1**



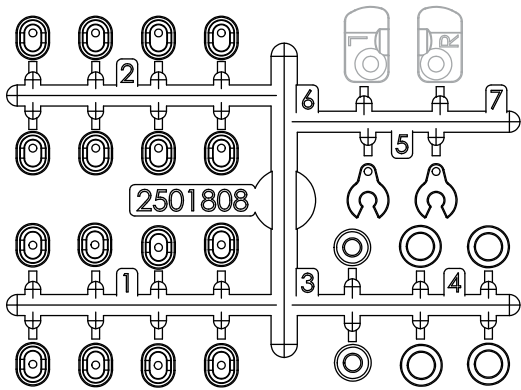
**SW-2501795B**  
S104 EVO Rear Lower Arm Set **x1**



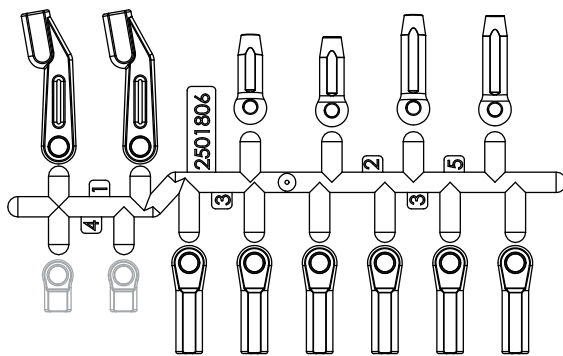
**SW-2501797B**  
S104/EVO Front Steering Knuckle and Rear Hub Carrier Set **x2**



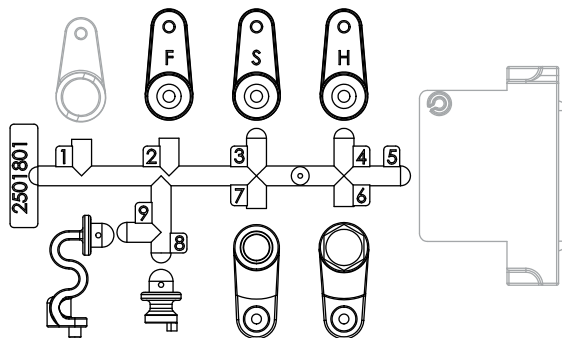
**SW-2501798A**  
S104 EVO Wing Stay Set with Bumper and Arm Holder **x1**



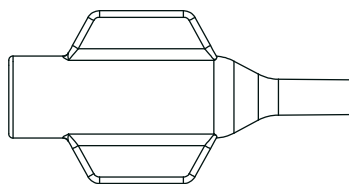
**SW-2501808**  
S104 Plastic Insert Set **x2**



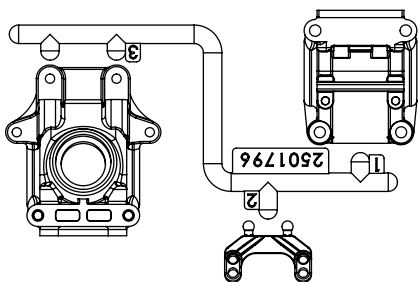
**SW-2501806B**  
S104 EVO Plastic Ball End Set **x1**



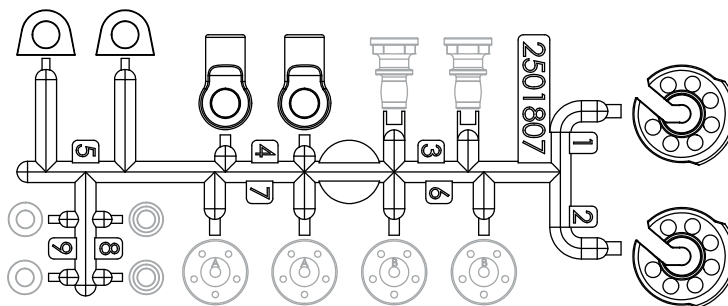
**SW-2501801B**  
S104 EVO Setting Bellcrank Set with Servo Horn Set **x1**



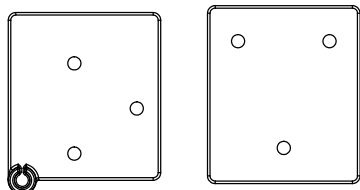
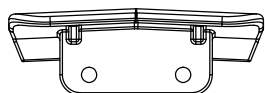
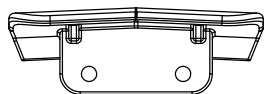
**SW-2502212**  
S104 Saddle Pack Battery Side Guard with Battery Holder Set **x1**



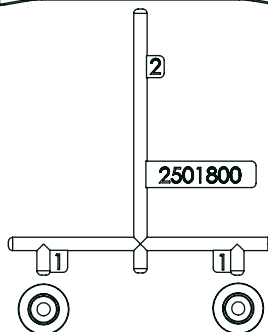
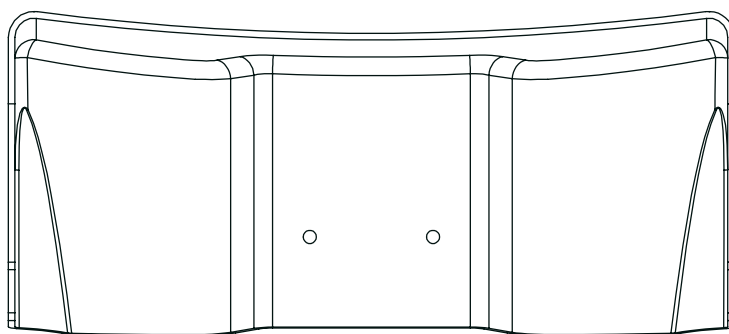
**SW-2501796A**  
S104 Gear Box Set (F&R) **x2**



**SW-2501807**  
S104 Shock Spring Holder with Ball End Plastic Parts **x2**



**SW-2502524**  
SS104 EVO Plastic Bumper Accessories Set **x1**

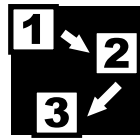


**SW-2501800**  
S104 Rear Wing Set **x1**

## Operation Guide



Assemble front and rear



Assemble in the specified order



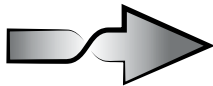
Assemble both left and right sides



Assemble for 2 sets



Assemble for 4 sets



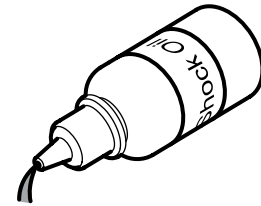
overturn



Thread Locking Compound



Grease



Pure Silicone Oil

## Safety Precautions

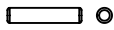
The SWORKz S104 EVO is a high performance radio control model which needs to be operated with caution and common sense.

The S104 EVO Pro Kit is not intended for children under the age of 14 without adult supervision. SWORKz shall not be held liable for any loss or damages, whether direct, indirect, act of nature, arising from abuse or misuse of this product or any other product required.

- The LiPO Battery can be dangerous if improperly handled.
- Always keep your LiPO Battery in a cool area and never use it near flames, sparks, or while smoking.
- Keep your LiPO Battery, and all other flammables, out of the reach of children.
- After running your car, all parts of the Motor and ESC can become extremely hot. Be careful not to touch these parts.
- This model is controlled by your radio controller and can be vulnerable to interference from many outside sources. This interference can cause a loss of control so it is necessary to operate this model in an open area to avoid personal or property damage. Always ensure turning on your radio first.
- Keep all the products included in the package out of the reach of children.
- This model contains many fast rotating parts. Never touch them during operation.
- Follow the instructions included with your radio gear.
- Never operate your model near people or property. The speed of this model has the potential to injure people and or damage property if misused.
- Always use original SWORKz spare parts and option parts.
- Always ensure that the buggy is in proper working condition before use.
- Always exercise caution when using any tools.

# BAG B

**1** **F** **R** **x2**



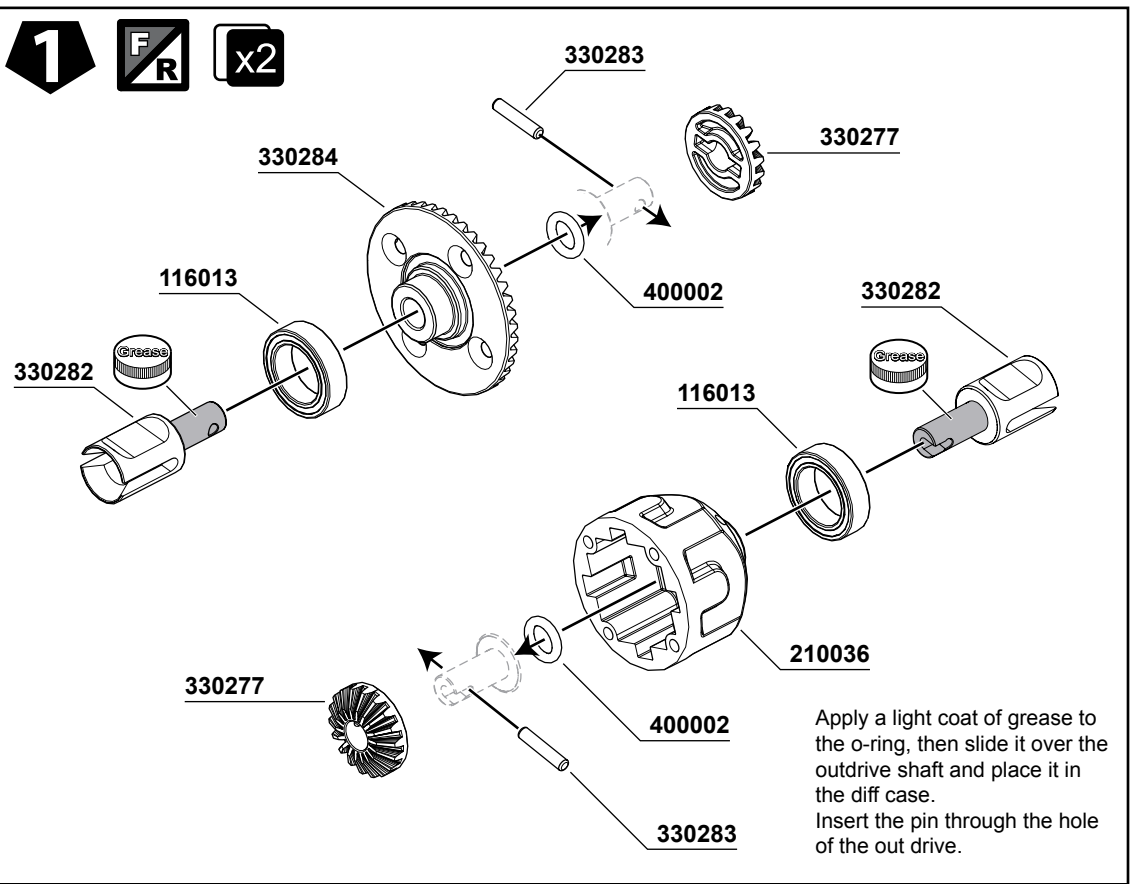
**330283**  
Pin M2x10mm **x4**



**400002**  
O-ring S5 4.8x1.5 **x4**



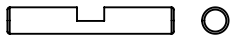
**116013**  
Ball Bearing 10x15x4mm **x4**



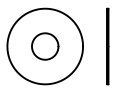
**2** **F** **R** **x2**



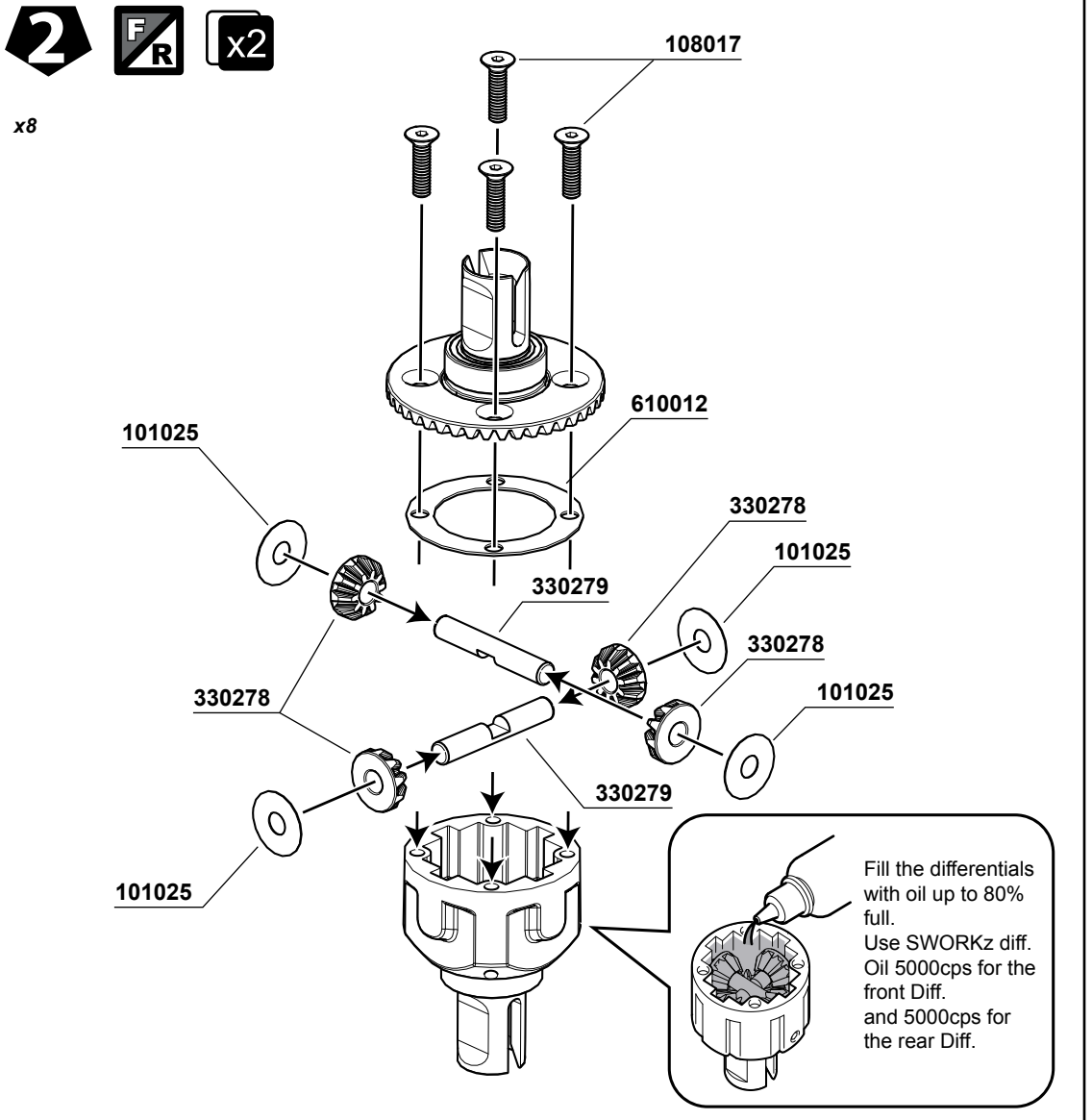
**108017**  
M2.6x10mm FH/ST HEX Screw **x8**



**330279**  
Bevel Gear Shaft **x4**



**101025**  
Shim 3.5x10x0.1mm **x8**



**BAG D**

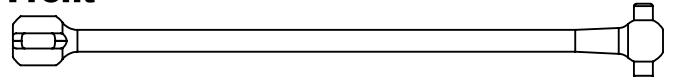
**3**

**F**  
**R**

**x2**

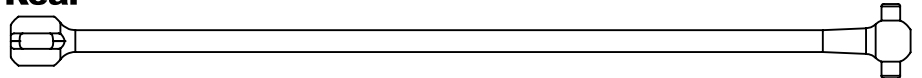
**1**  
**2**  
**3**

**Front**



**330617**  
S104 EVO Front Center Drive Shaft 80mm **x1**

**Rear**



**330616**  
S104 EVO Rear Center Drive Shaft 113mm **x1**

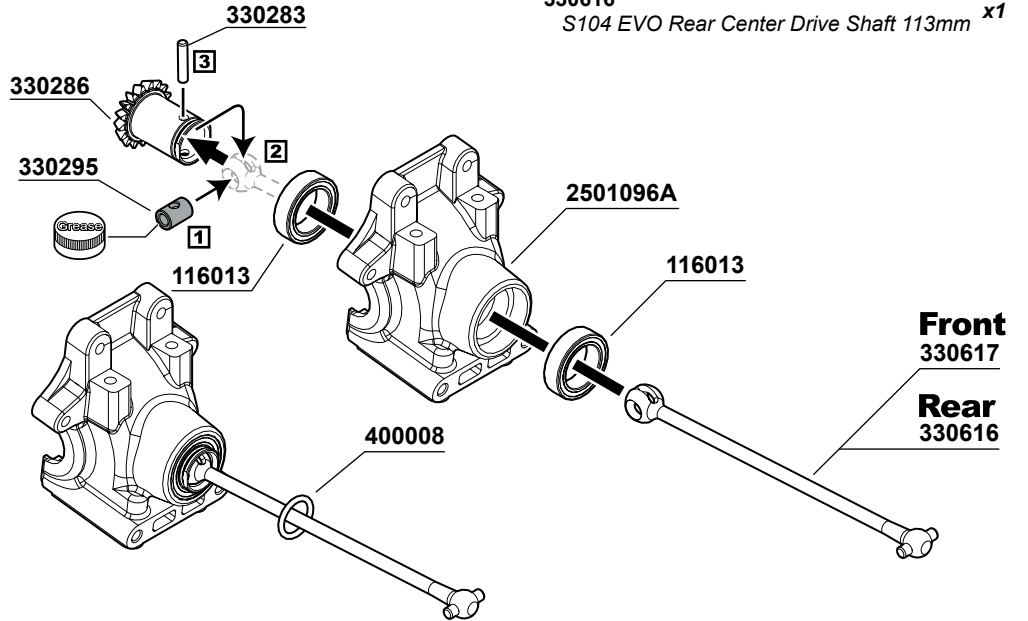
**BAG M**

**330283**  
Pin M2x10mm **x2**

**330295**  
CVD Join **x2**

**400008**  
O-ring for Pinion Gear **x2**

**116013**  
Ball Bearing 10x15x4mm **x4**



**Front**  
**330617**  
**Rear**  
**330616**

**108001**  
M3x12mm FH/ST HEX Screw **x8**

**101023**  
10x12x0.1mm S104 Shim **x6**

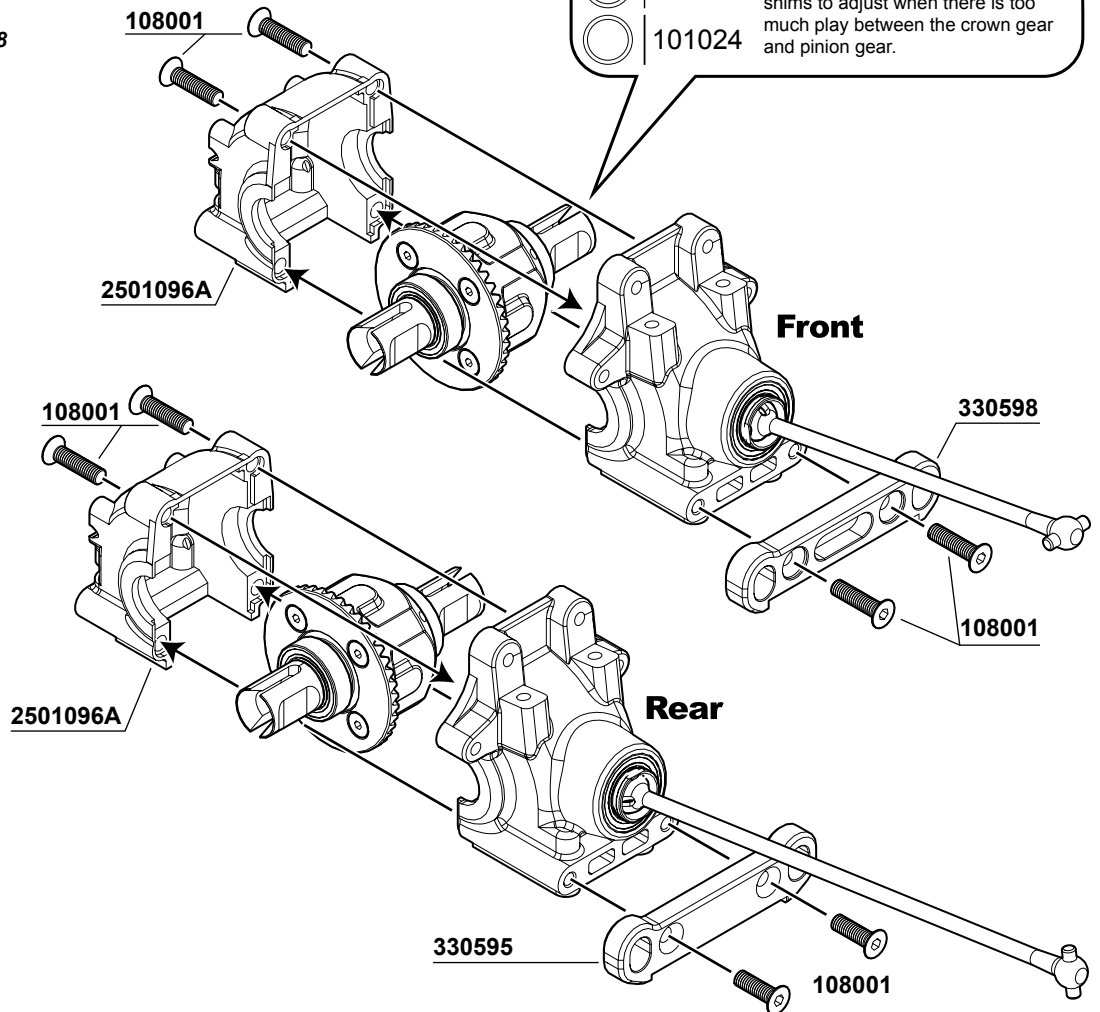
**101024**  
10x12x0.2mm S104 Shim **x2**

**4**

**F**  
**R**

**x2**

**101023** Use 10x12x0.1mm or 10x12x0.2mm shims to adjust when there is too much play between the crown gear and pinion gear.  
**101024**



**Front**

**Rear**

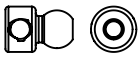
**BAG D**

**5**

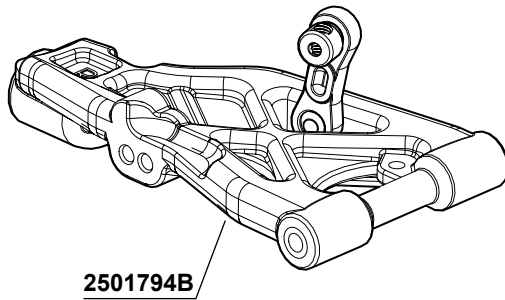
**R L**

**x2**

**BAG M**

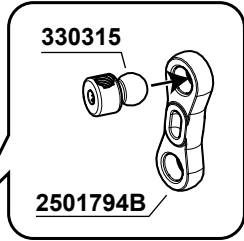


**330315**  
Sway Bar Ball Stud x2



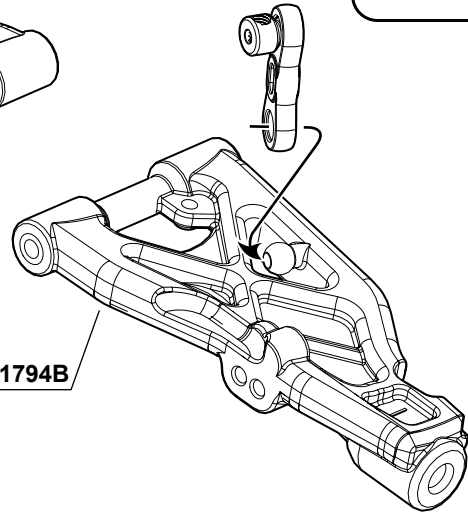
**2501794B**

**Front**



**330315**

**2501794B**

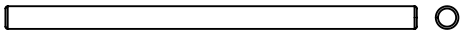


**2501794B**

**6**

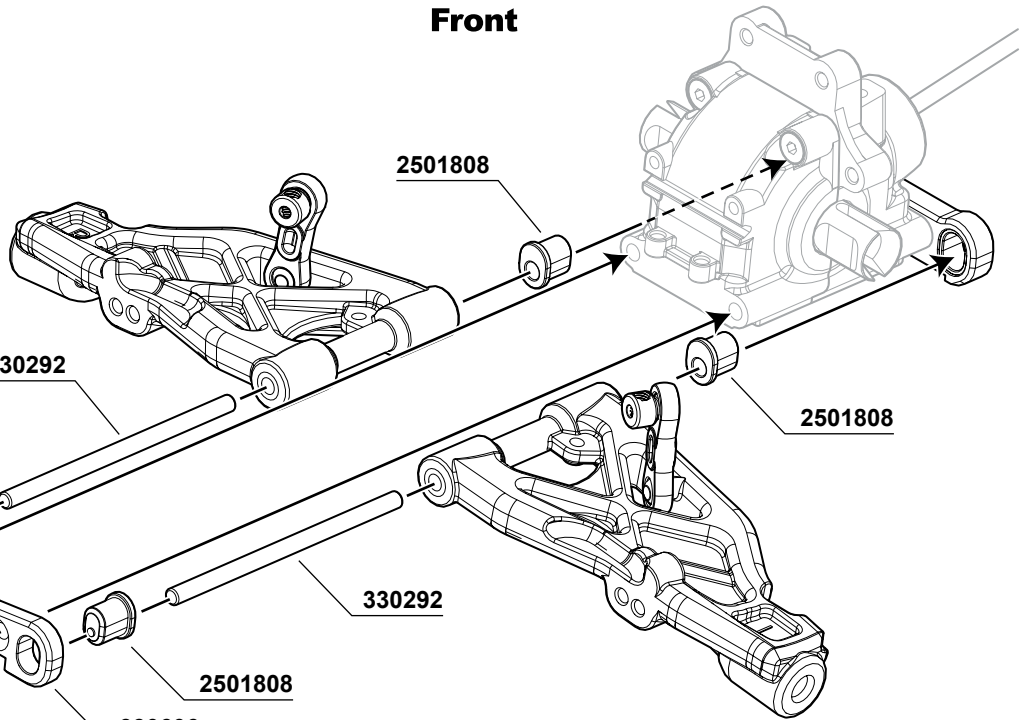


**108018**  
M3x30mm FH/ST HEX Screw x2



**330292**  
Front/Rear Lower Arm Hing Pin x2

**Front**



**2501808**

**330292**

**2501808**

**2501808**

**108018**

**330292**

**2501808**

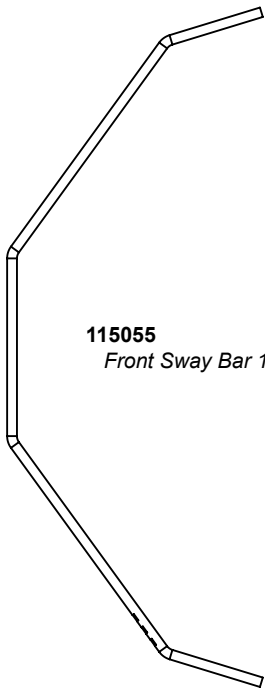
**108018**

**330606**



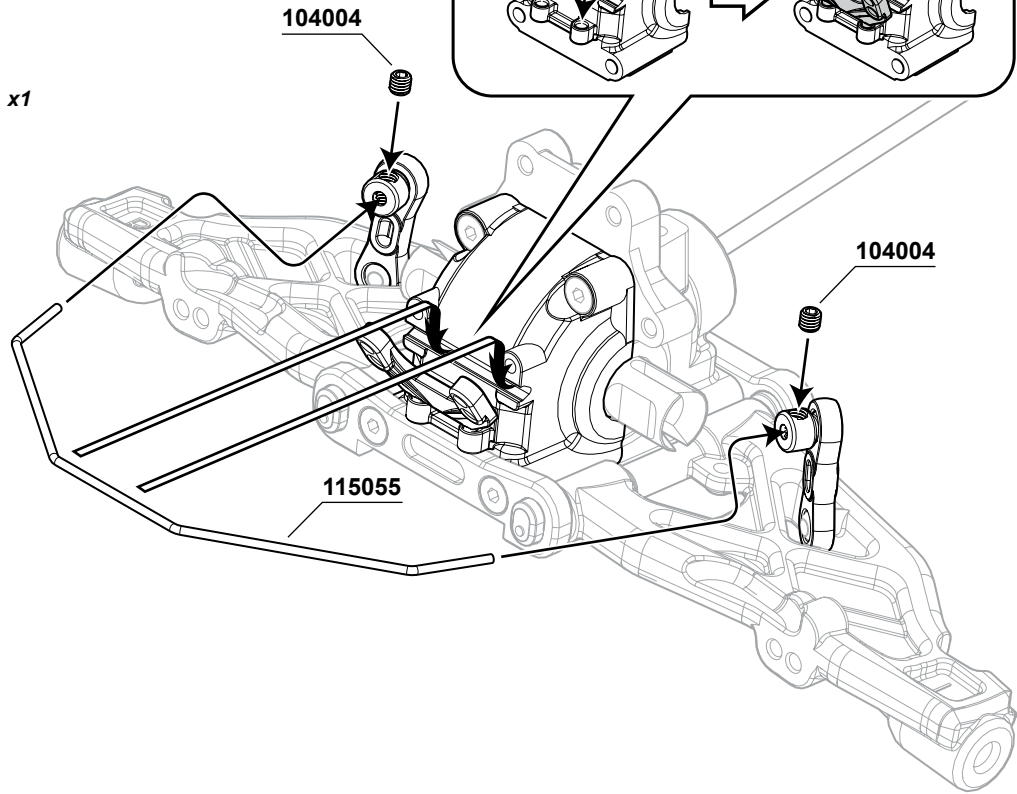
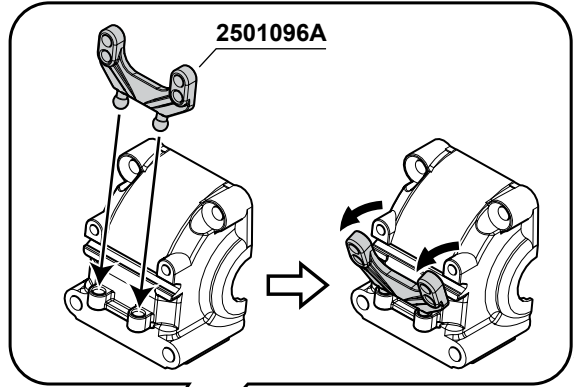


**104004**  
M3x3mm Set Screw x2



**115055**  
Front Sway Bar 1.3mm x1

**7**

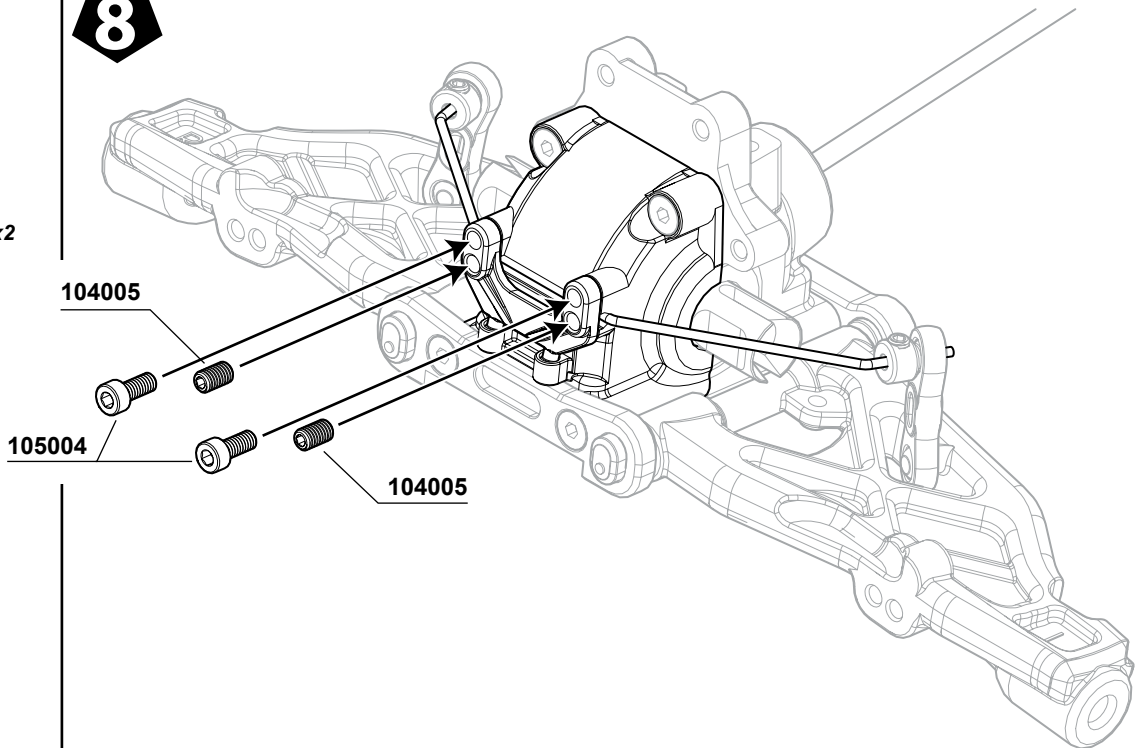


**104005**  
M3x4mm Set Screw x2

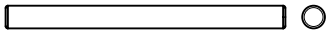


**105004**  
M2.6x6mm Cap Screw x2

**8**



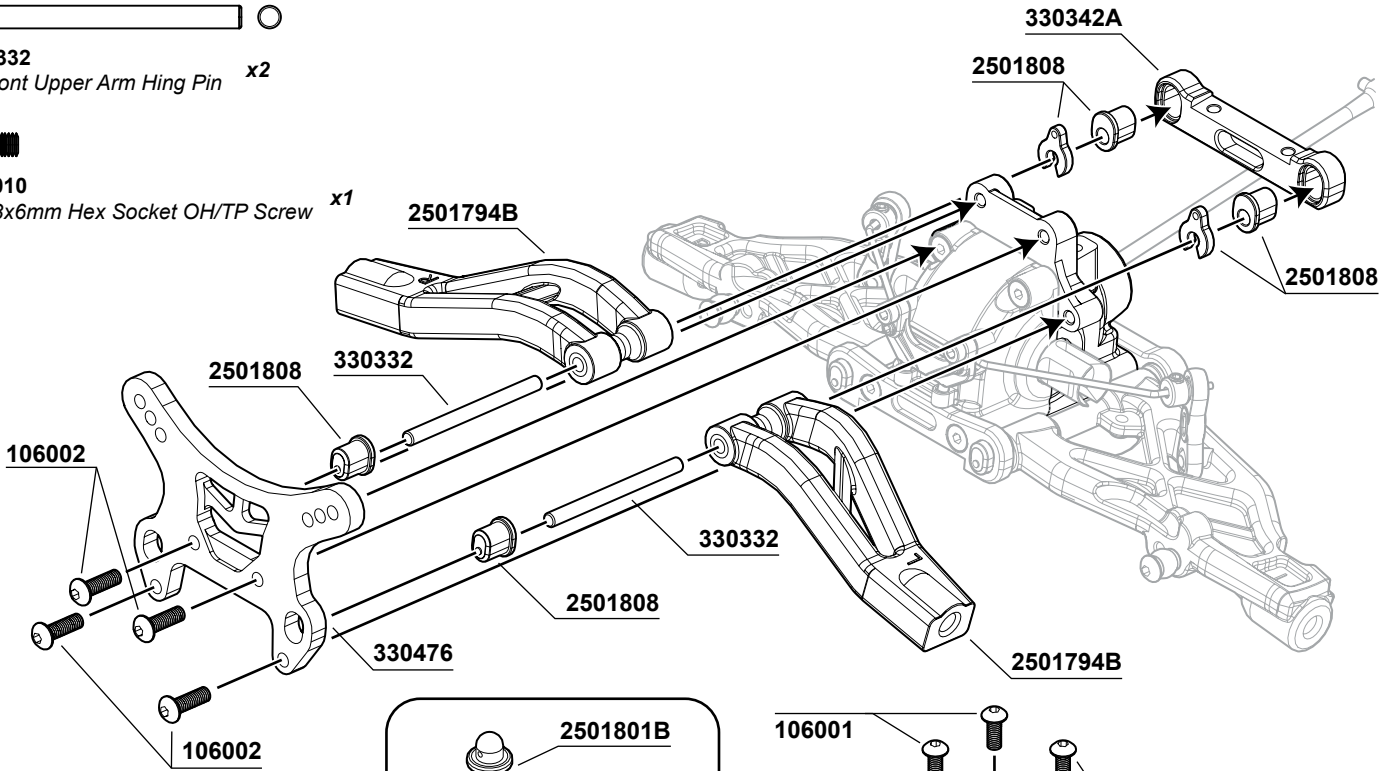
**9** 



**330332**  
Front Upper Arm Hing Pin x2



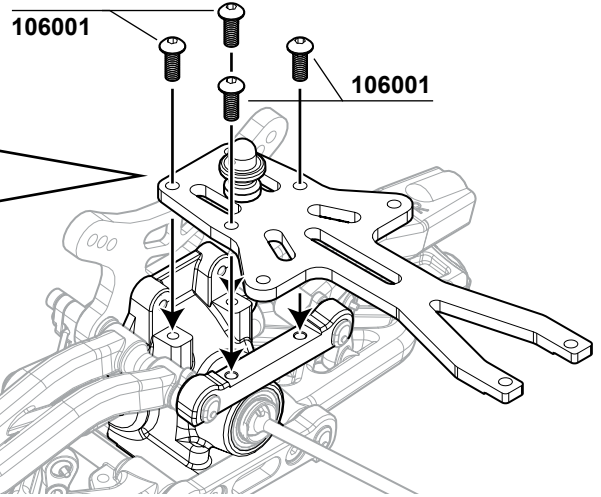
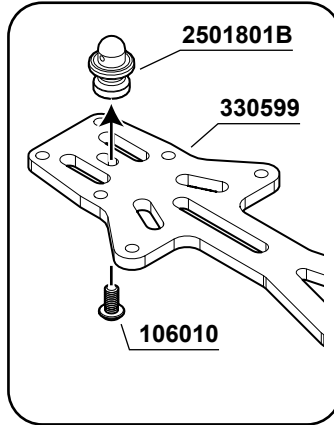
**106010**  
M3x6mm Hex Socket OH/TP Screw x1



**106001**  
M3x8mm Hex Socket OH/TP Screw x4



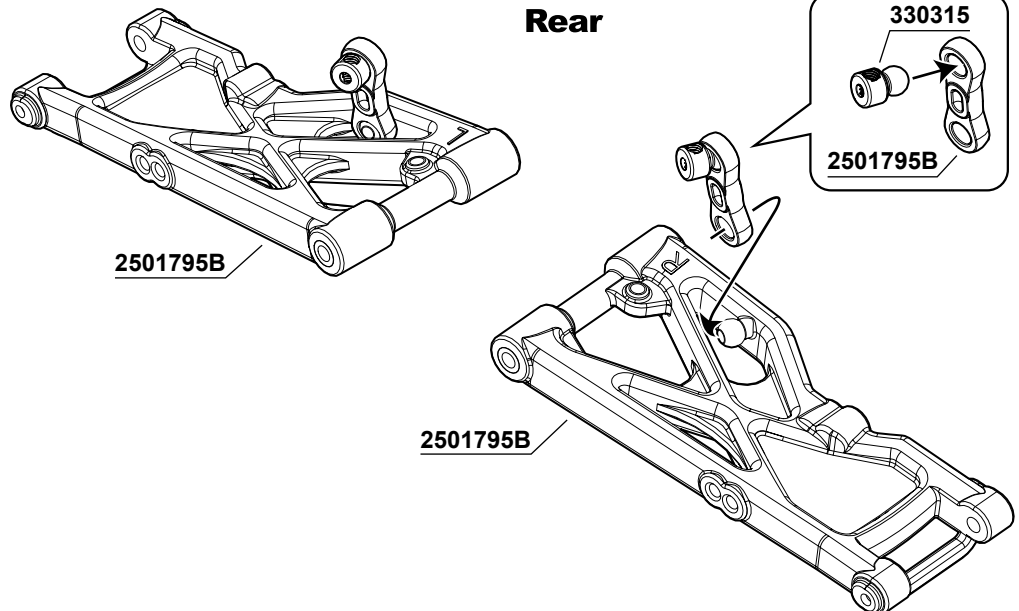
**106002**  
M3x10mm Hex Socket OH/TP Screw x4



**10**  **x2**



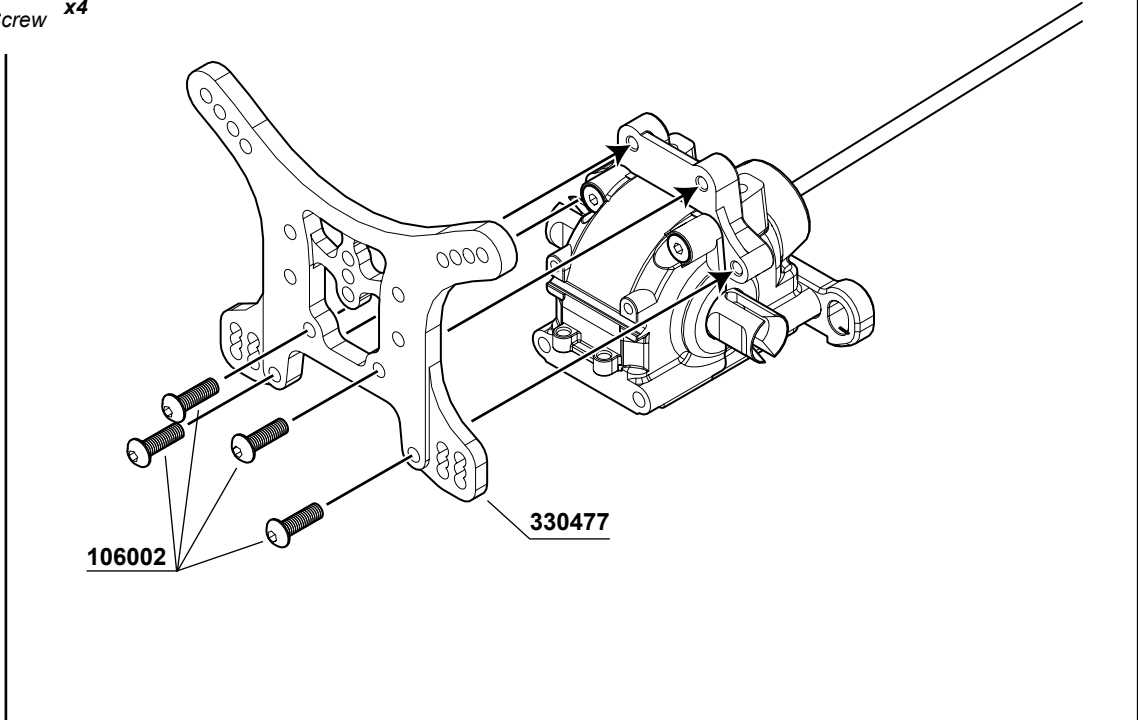
**330315**  
Sway Bar Ball Stud x2





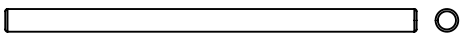
**106002**  
M3x10mm Hex Socket OH/TP Screw **x4**

**11**

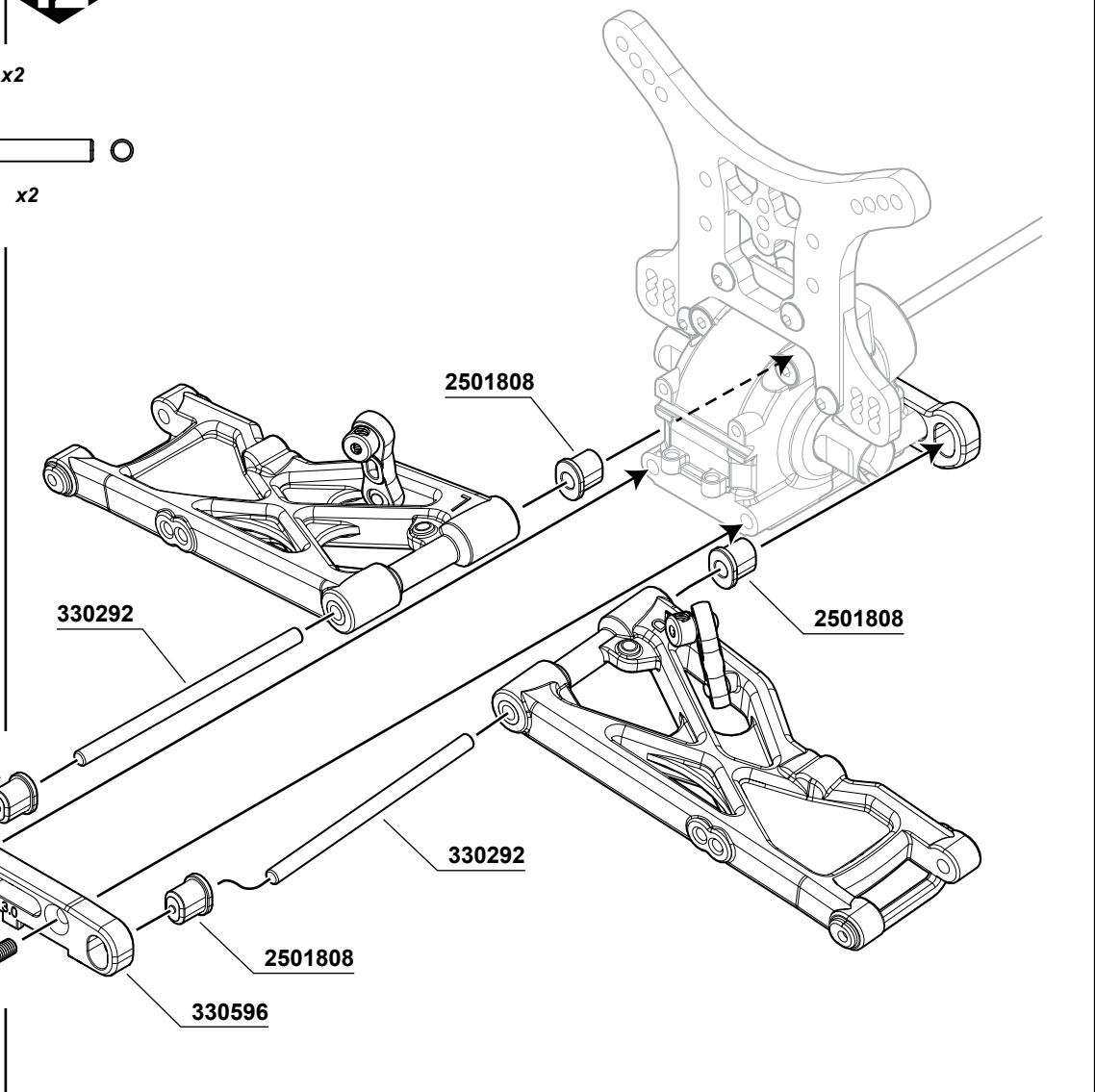


**108018**  
M3x30mm FH/ST HEX Screw **x2**



**12**



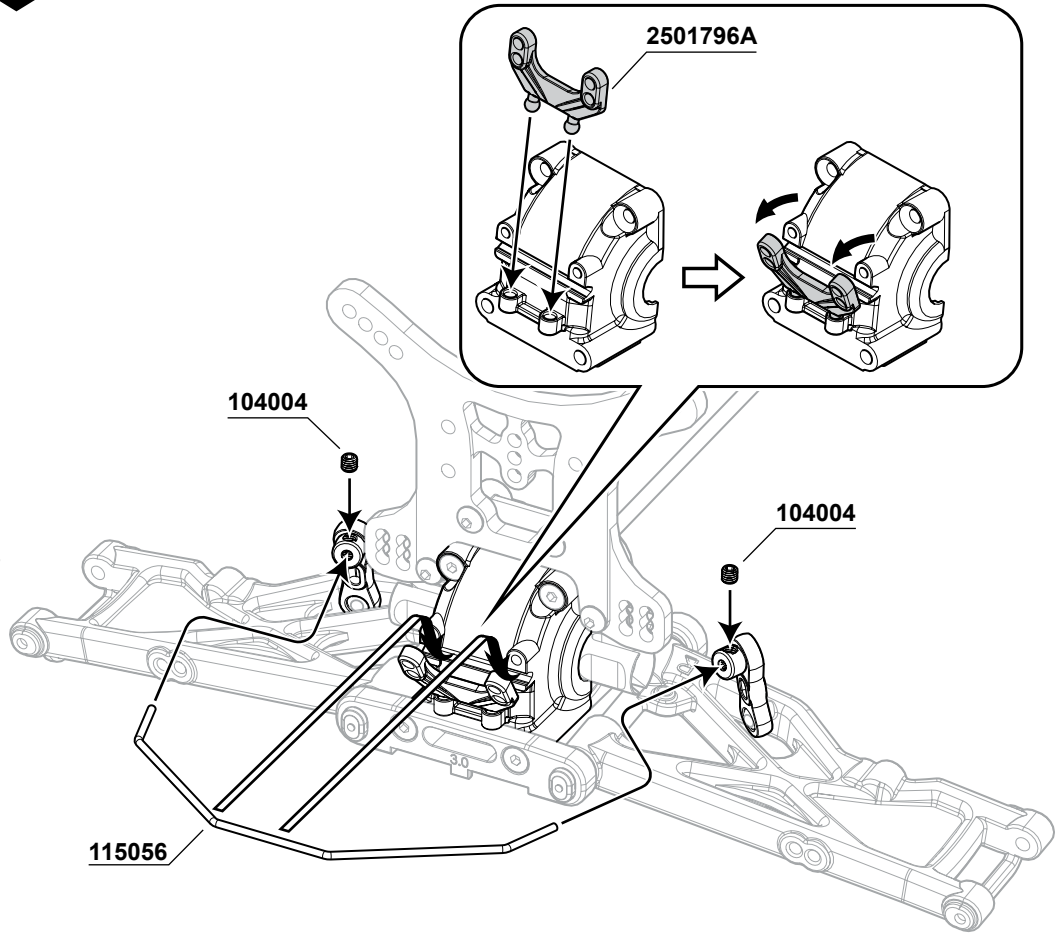
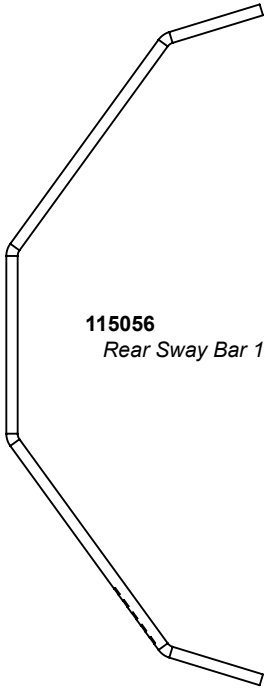
**330292**  
Front/Rear Lower Arm Hing Pin **x2**





**BAG D****13****BAG M1**

   
**104004**  
 M3x3mm Set Screw x2

**115056**  
 Rear Sway Bar 1.5mm x1



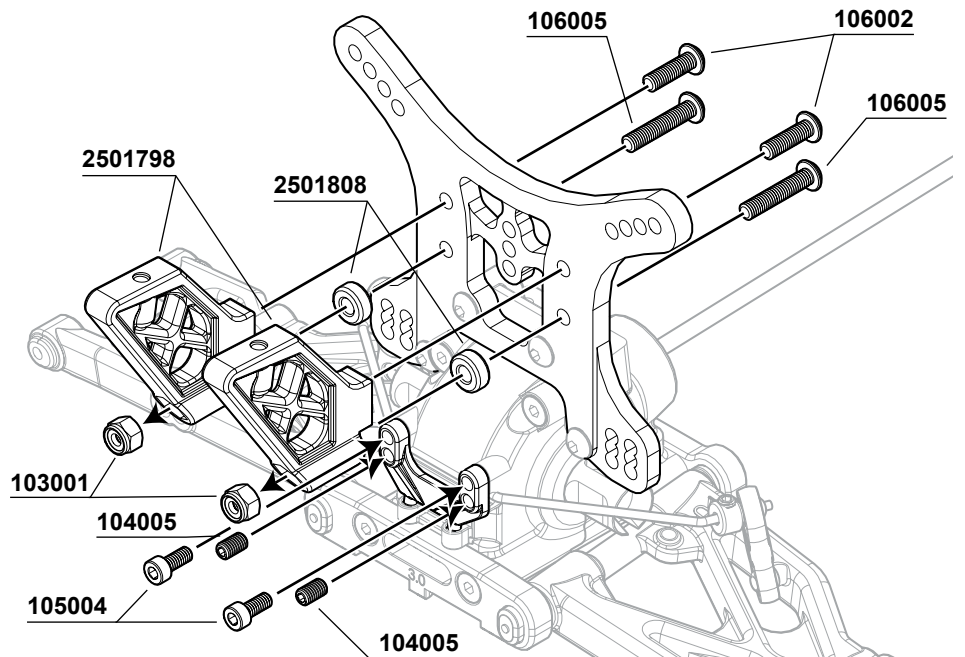
   
**104005**  
 M3x4mm Set Screw x2

  
**105004**  
 M2.6x6mm Cap Screw x2

   
**103001**  
 M3 Nut Lock x2

  
**106002**  
 M3x10mm Hex Socket OH/TP Screw x2

  
**106005**  
 M3x15mm Hex Soked OH/TP Screw x2

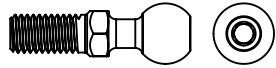
**14**



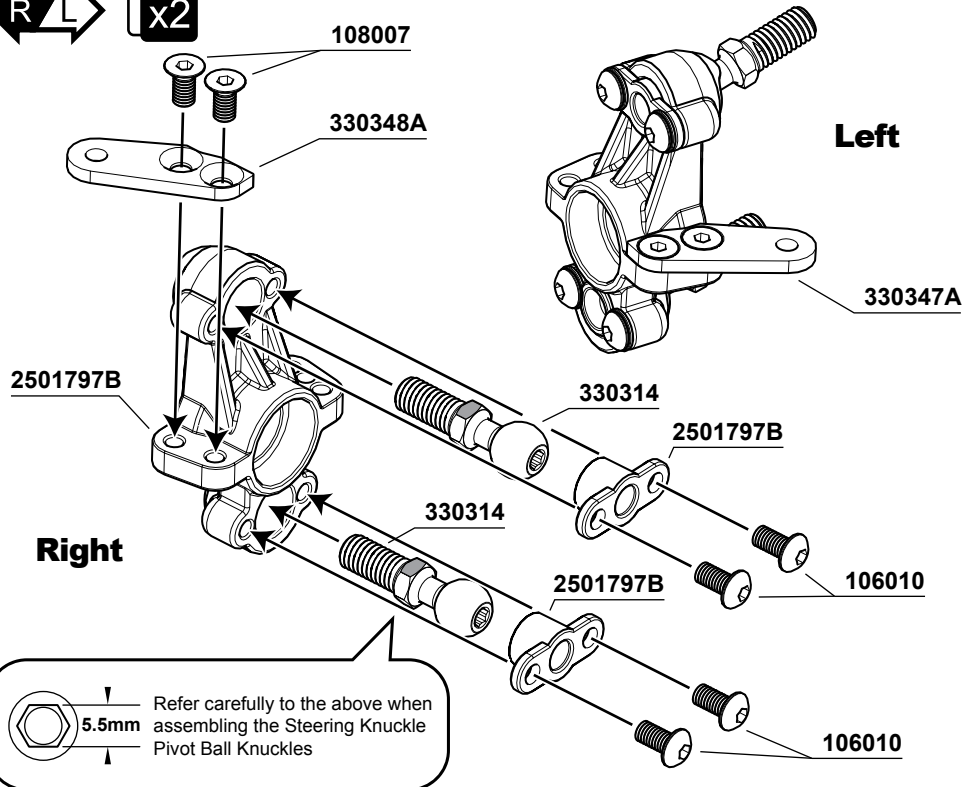
**106010**  
M3x6mm Hex Socket OH/TP Screw x8



**108007**  
M3x6mm FH/ST HEX Screw x4



**330314**  
Steering Knuckle Pivot Ball Turnbuckle x4



Refer carefully to the above when assembling the Steering Knuckle Pivot Ball Knuckles

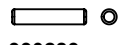
5.5mm



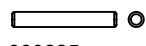
**104008**  
M4x4mm Set Screw x2



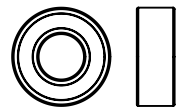
**330295**  
CVD Join x2



**330283**  
Pin M2x10mm x2



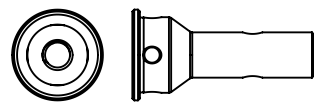
**330285**  
Pin M2x14mm x2



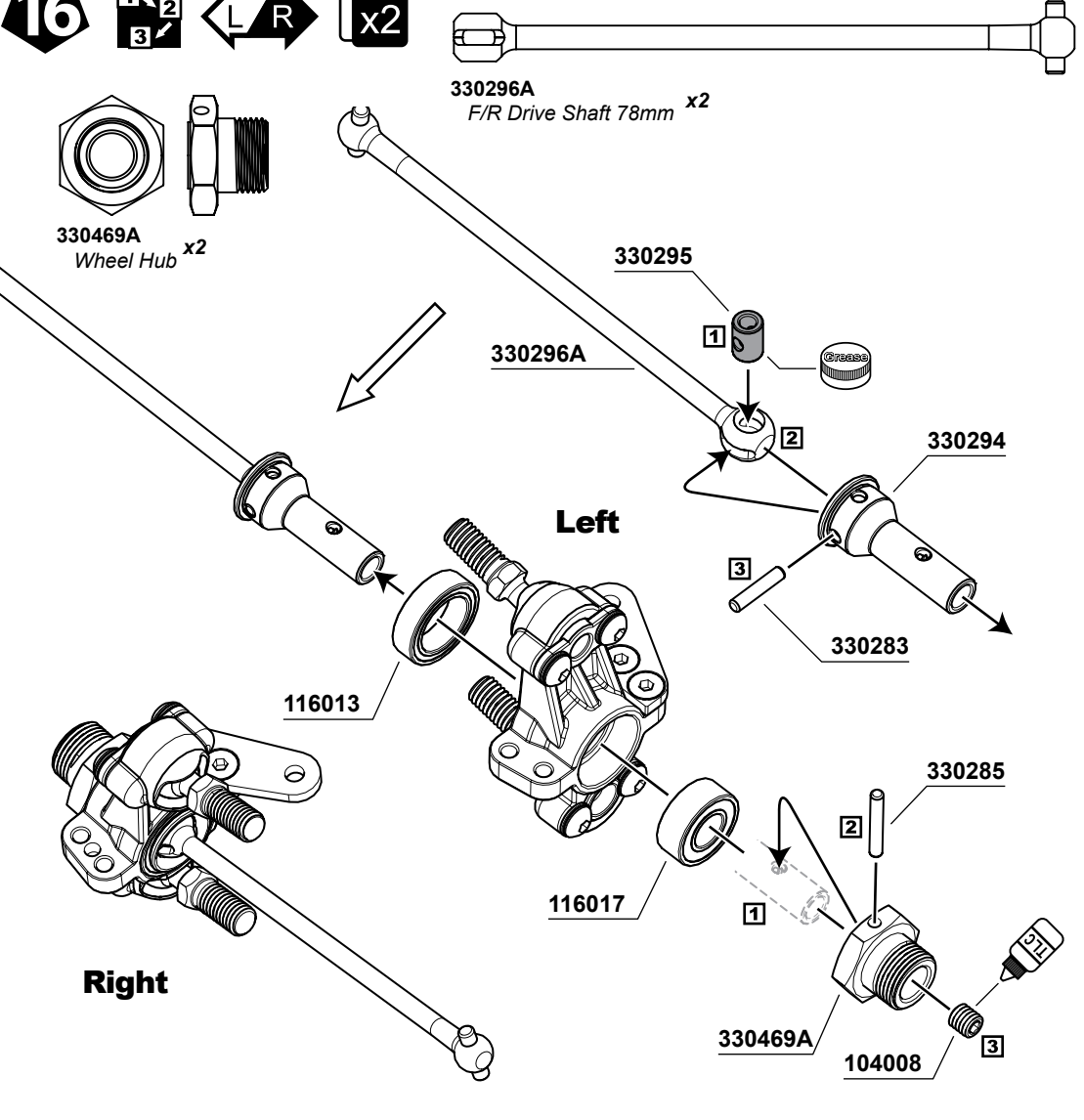
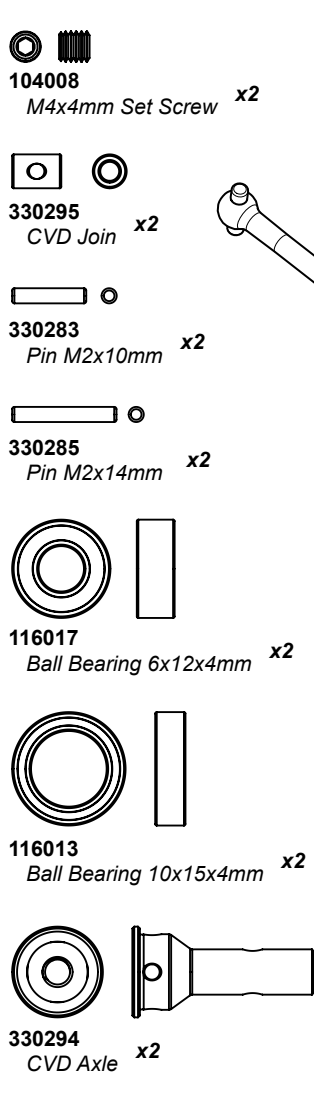
**116017**  
Ball Bearing 6x12x4mm x2



**116013**  
Ball Bearing 10x15x4mm x2

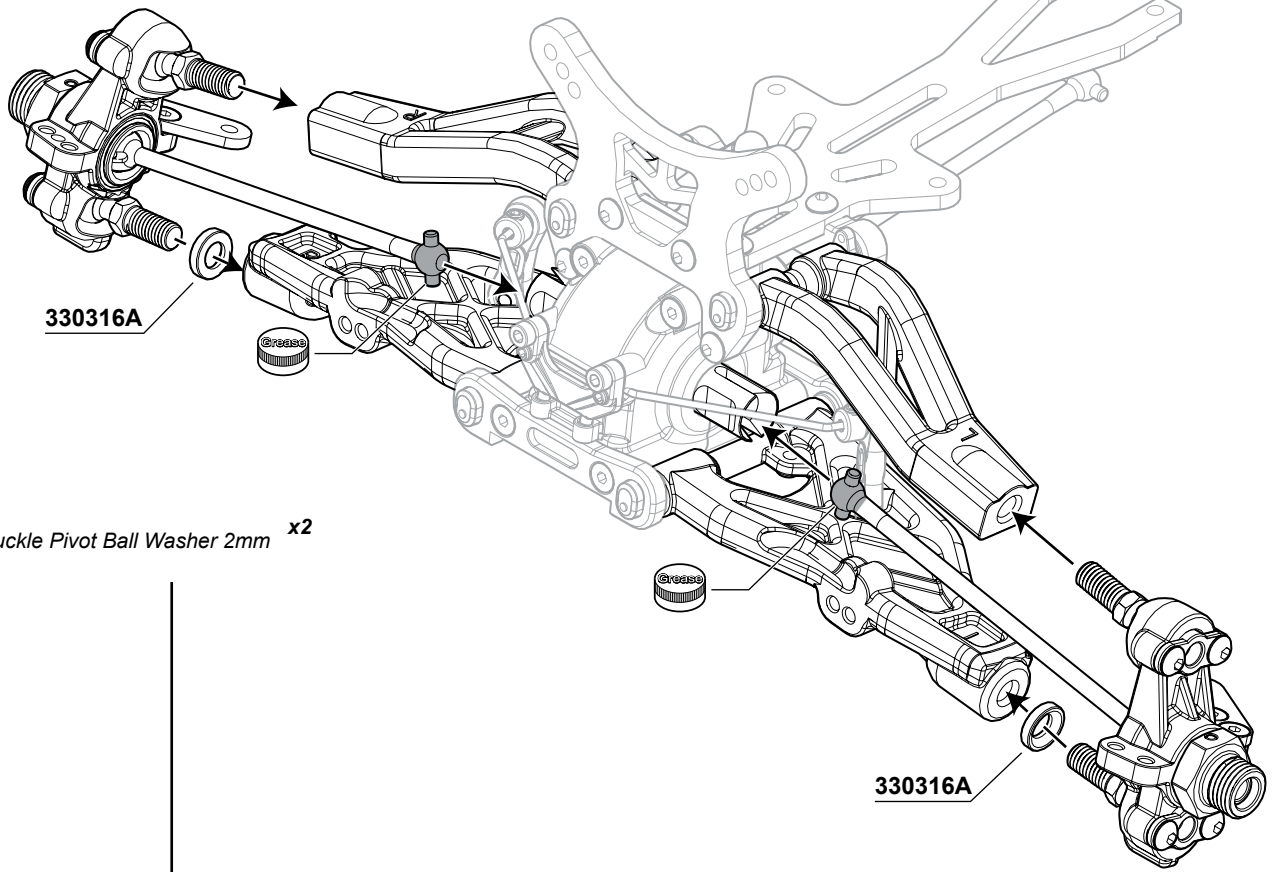


**330294**  
CVD Axle x2





**17** **L/R** **x2**



**330316A**  
Aluminum Knuckle Pivot Ball Washer 2mm x2

**104008**  
M4x4mm Set Screw x2

**330295**  
CVD Join x2

**330283**  
Pin M2x10mm x2

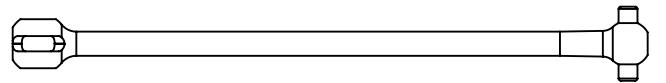
**330285**  
Pin M2x14mm x2

**116017**  
Ball Bearing 6x12x4mm x2

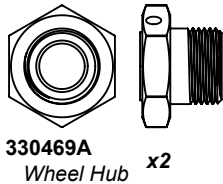
**116013**  
Ball Bearing 10x15x4mm x2

**330294**  
CVD Axle x2

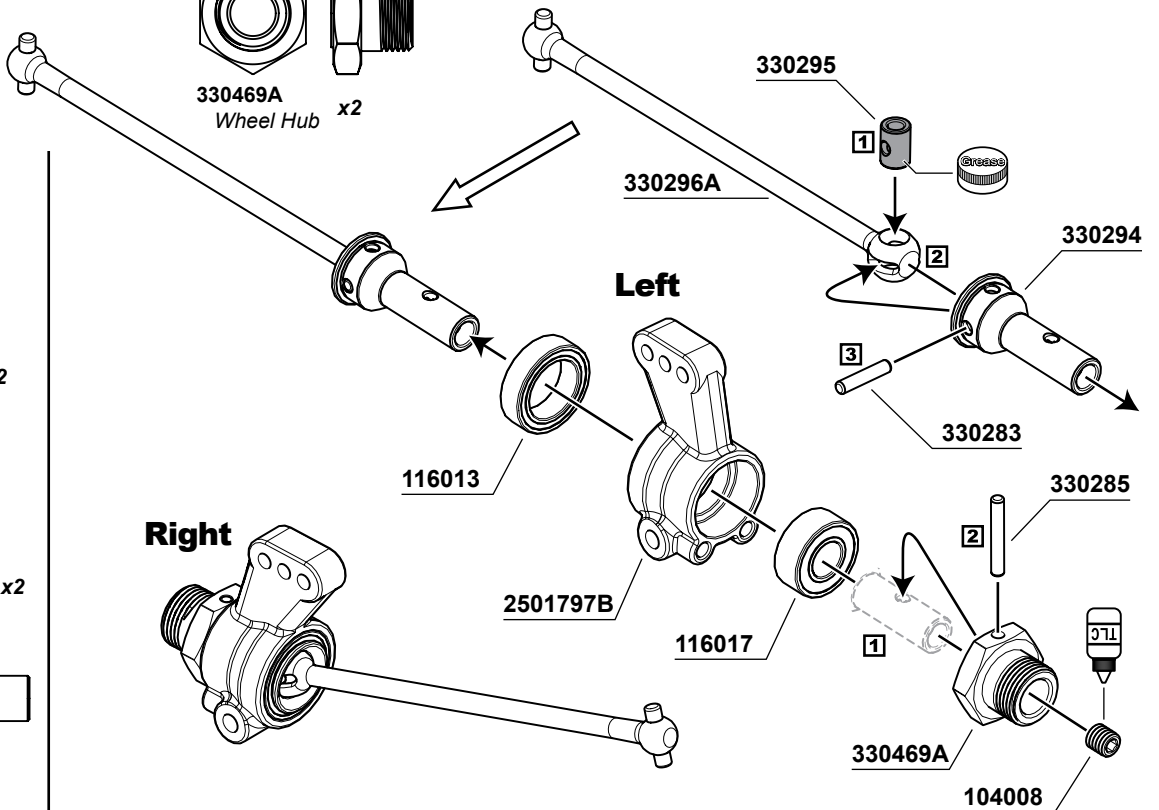
**18** **1-2-3** **L/R** **x2**



**330296A**  
F/R Drive Shaft 78mm x2

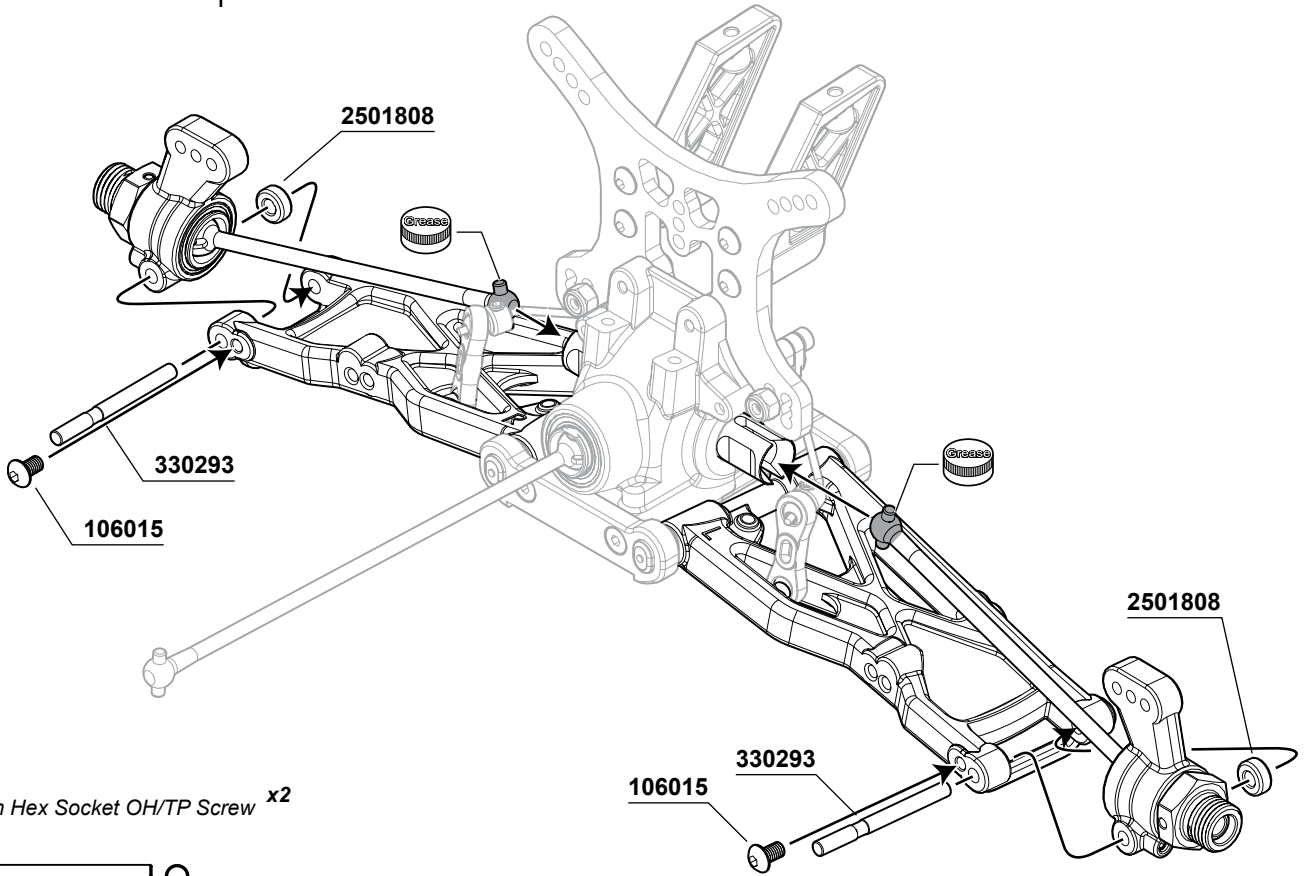


**330469A**  
Wheel Hub x2





**19** **L R** **x2**



**106015**  
M3x5mm Hex Socket OH/TP Screw **x2**

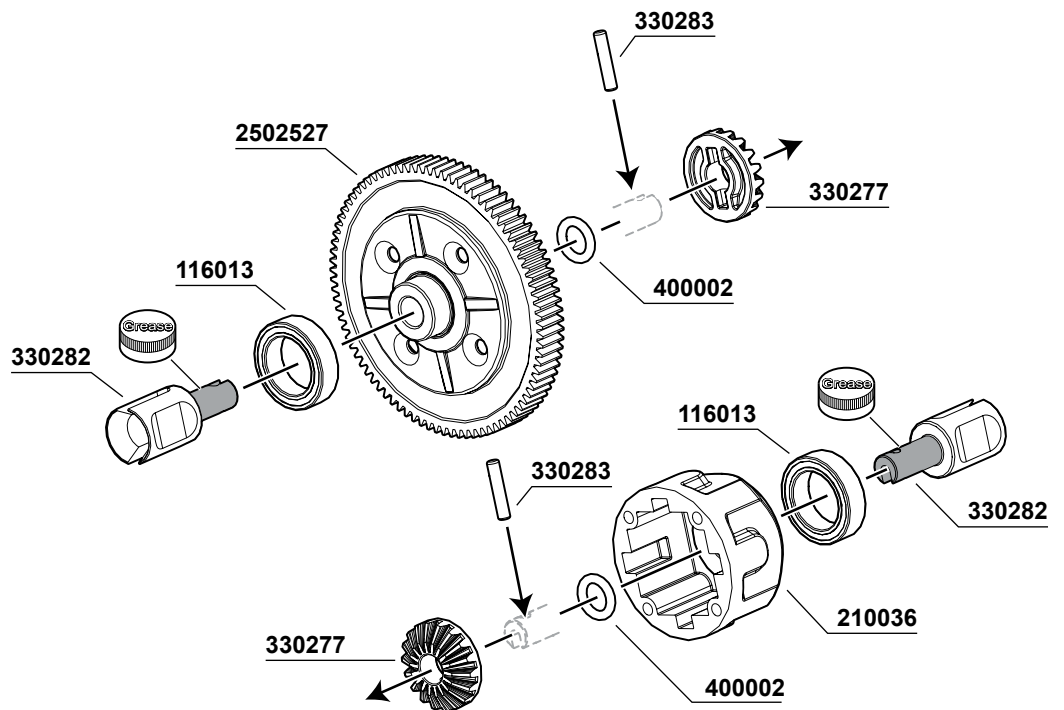
**330293**  
Rear Hub Carriers Hing Pin **x2**

**BAG C** **20**

**330283**  
Pin M2x10mm **x2**

**400002**  
O-ring S5 4.8x1.5 **x2**

**116013**  
Ball Bearing 10x15x4mm **x2**

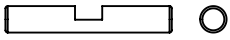


# BAG C

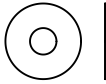
## 21



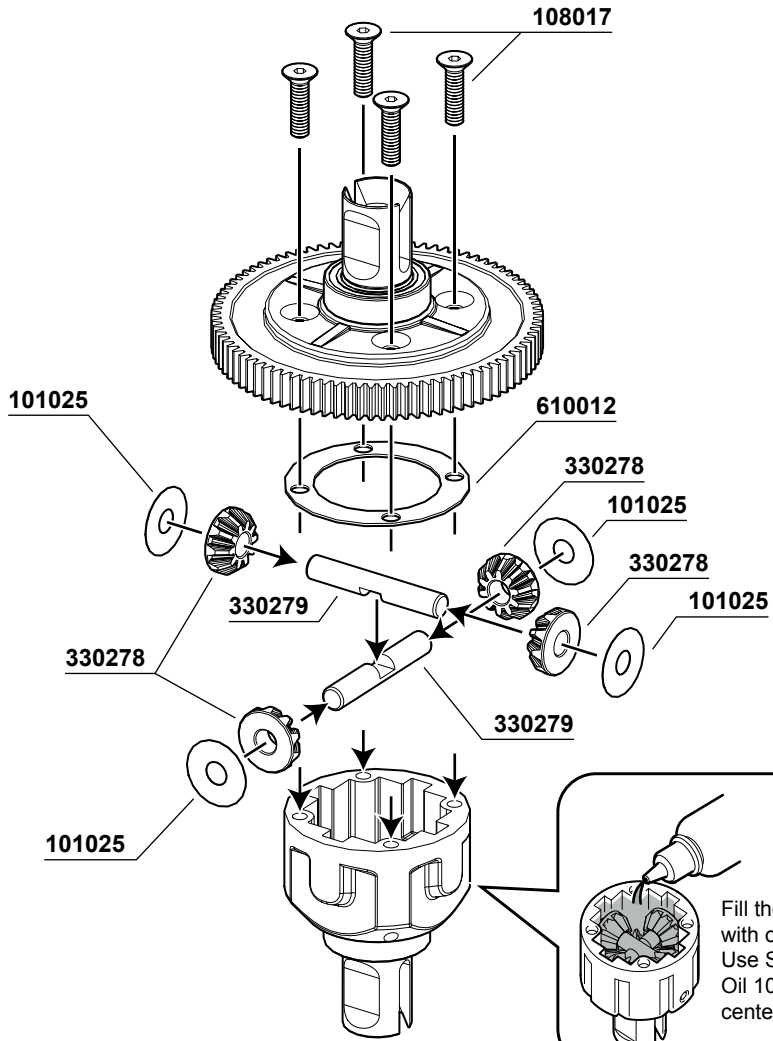
**108017**  
M2.6x10mm FH/ST HEX Screw **x4**



**330279**  
Bevel Gear Shaft **x2**



**101025**  
Shim 3.5x10x0.1mm **x4**



Fill the differentials with oil up to 80% full. Use SWORKz diff. Oil 100000cps for the center Diff.

# BAG F

## 22



**103001**  
M3 Nut Lock **x2**



**117003**  
Flange Ball Bearing 3x6x2.5mm **x4**



**117004**  
Bushing 5x8x2.5mm **x2**



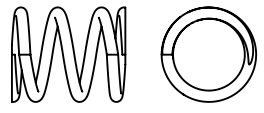
**330331**  
Steering Linkage Ball Stud 5mm **x1**



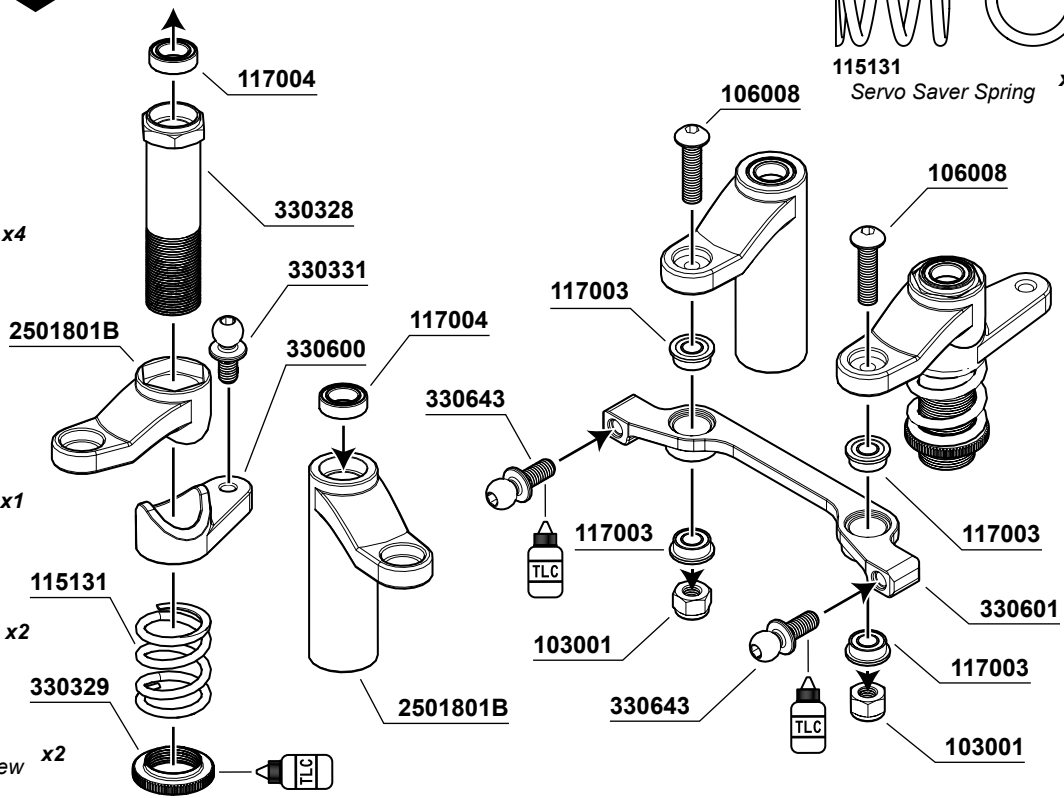
**330643**  
Steering Linkage Ball Stud 5mm **x2**



**106008**  
M3x12mm Hex Scket OH/TP Screw **x2**



**115131**  
Servo Saver Spring **x1**

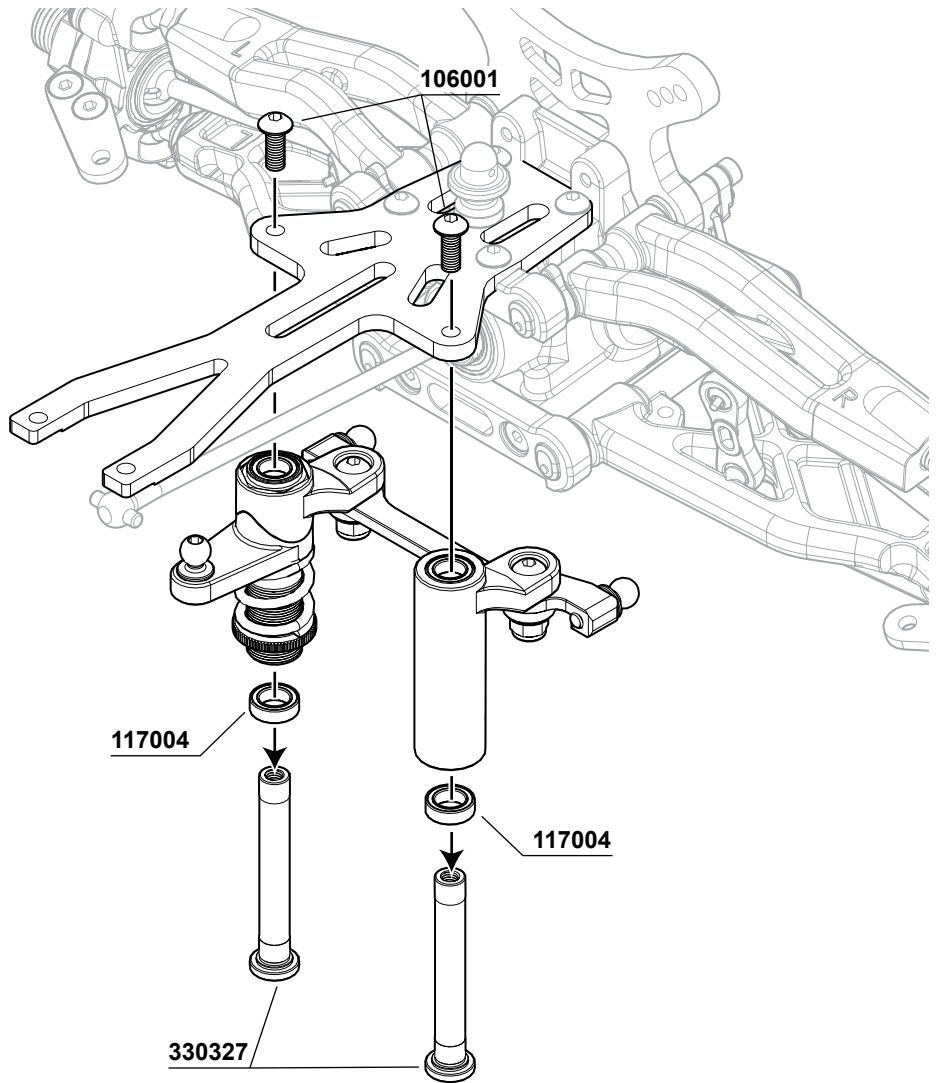




**106001**  
M3x8mm Hex Socket OH/TP Screw **x2**



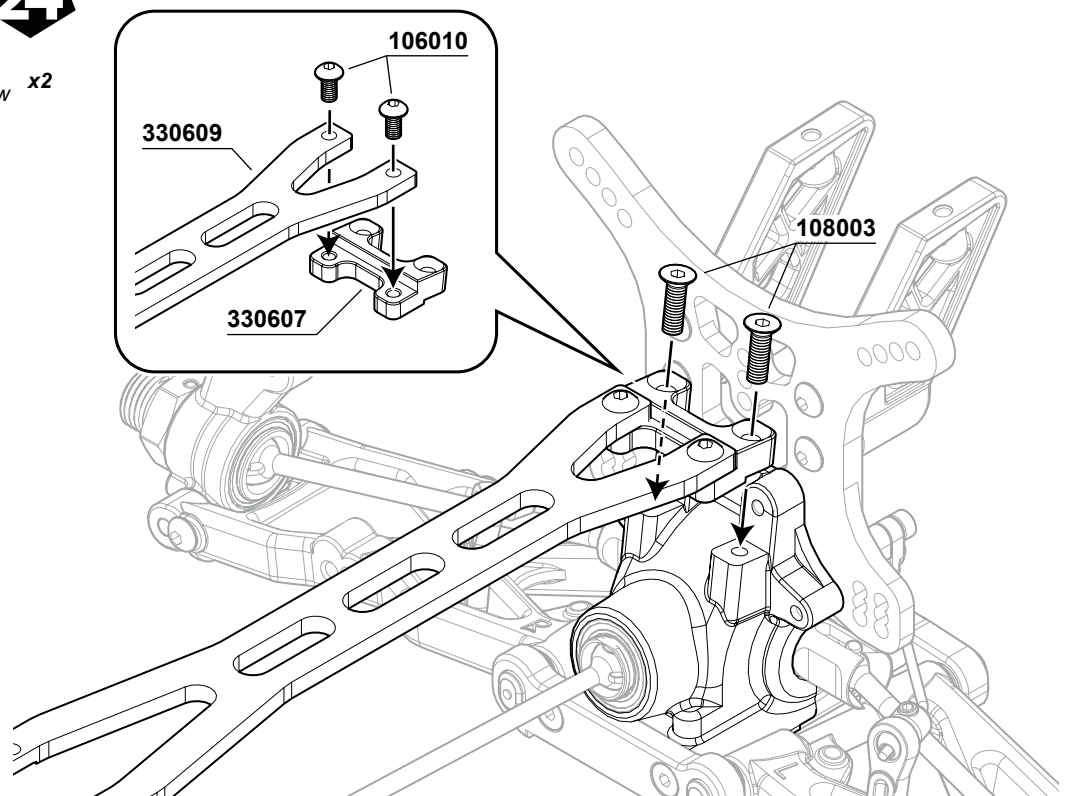
**117004**  
Bushing 5x8x2.5mm **x2**



**106010**  
M3x6mm Hex Socket OH/TP Screw **x2**



**108003**  
M3x10mm FH/ST HEX Screw **x2**

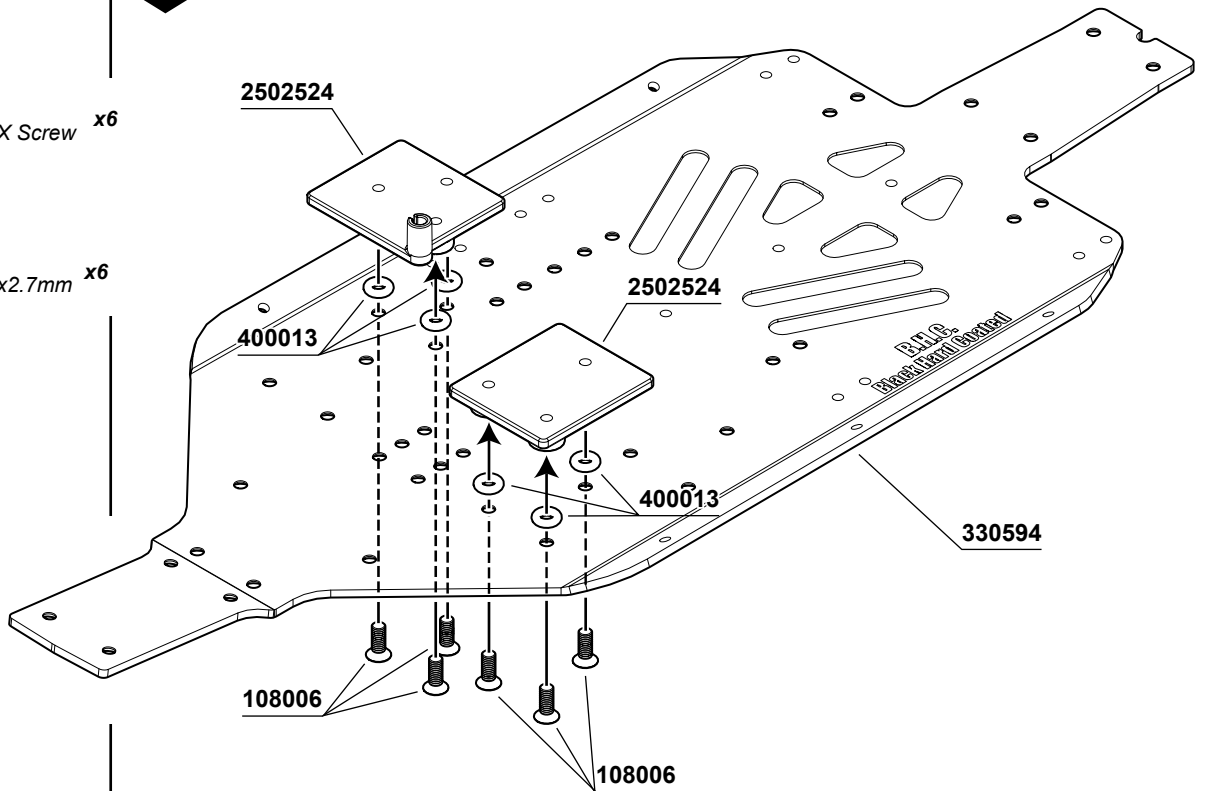




**108006**  
M3x8mm FH/ST HEX Screw x6



**400013**  
Shock Seal O-ring 2x2.7mm x6



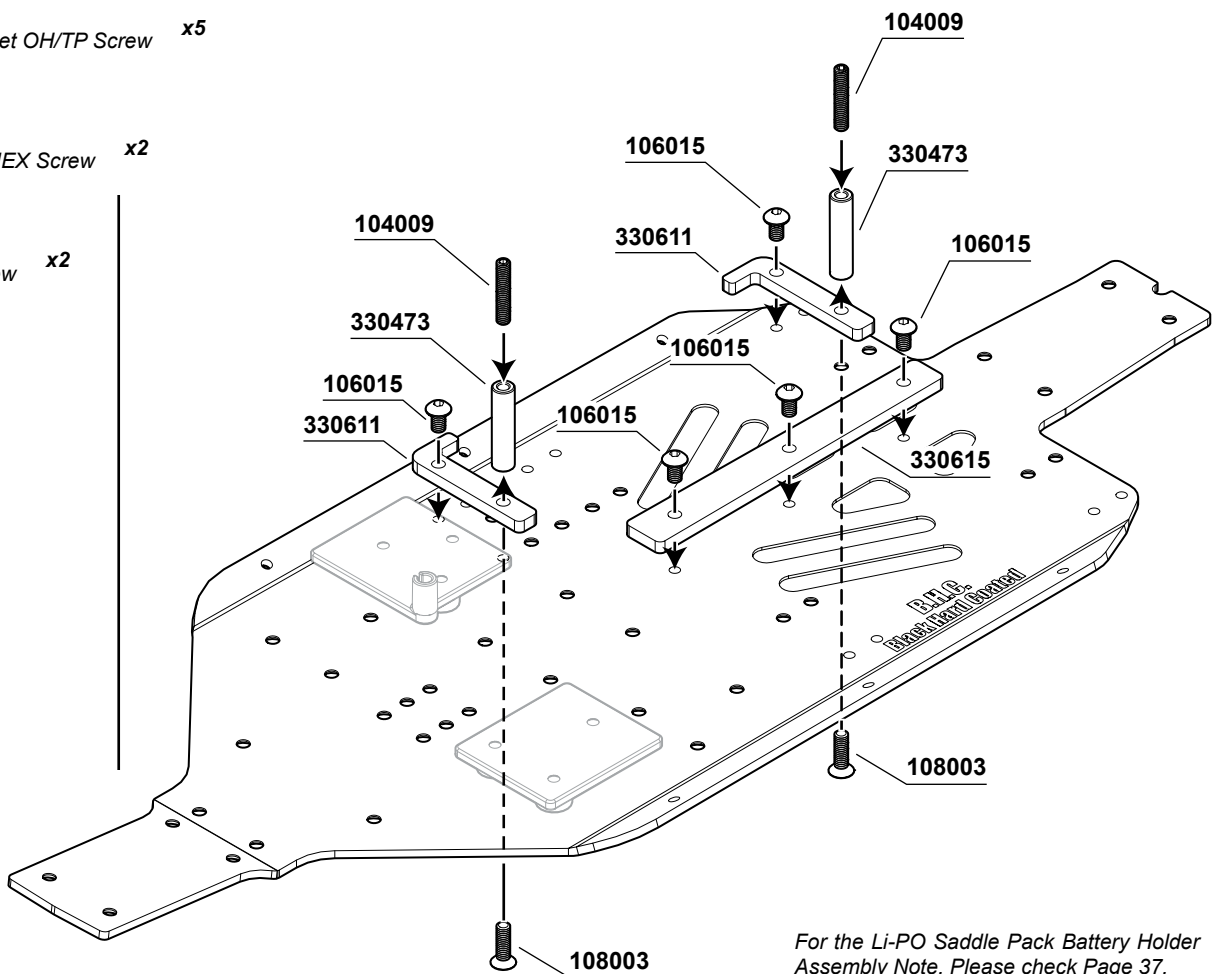
**106015**  
M3x5mm Hex Socket OH/TP Screw x5



**108003**  
M3x10mm FH/ST HEX Screw x2



**104009**  
M3x16mm Set Screw x2

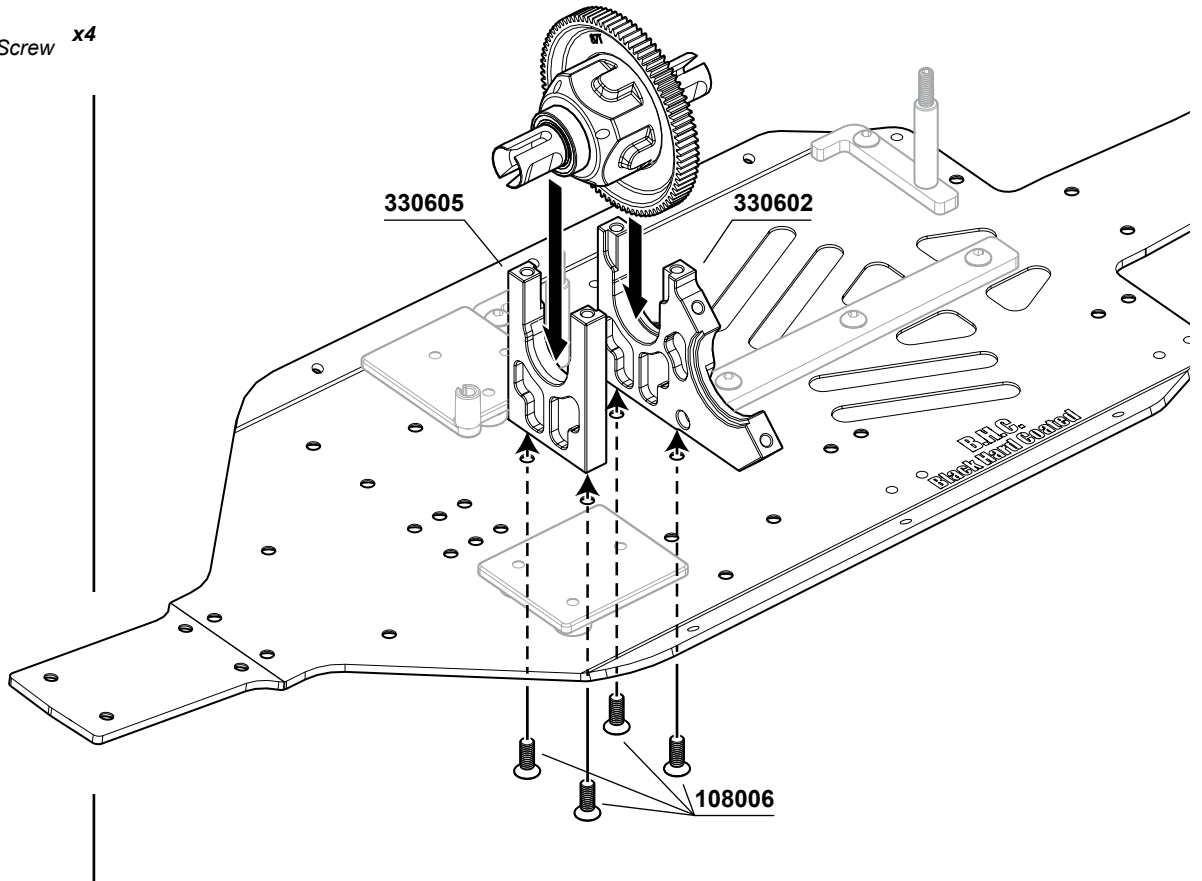


For the Li-PO Saddle Pack Battery Holder Assembly Note, Please check Page 37.

27



108006  
M3x8mm FH/ST HEX Screw x4



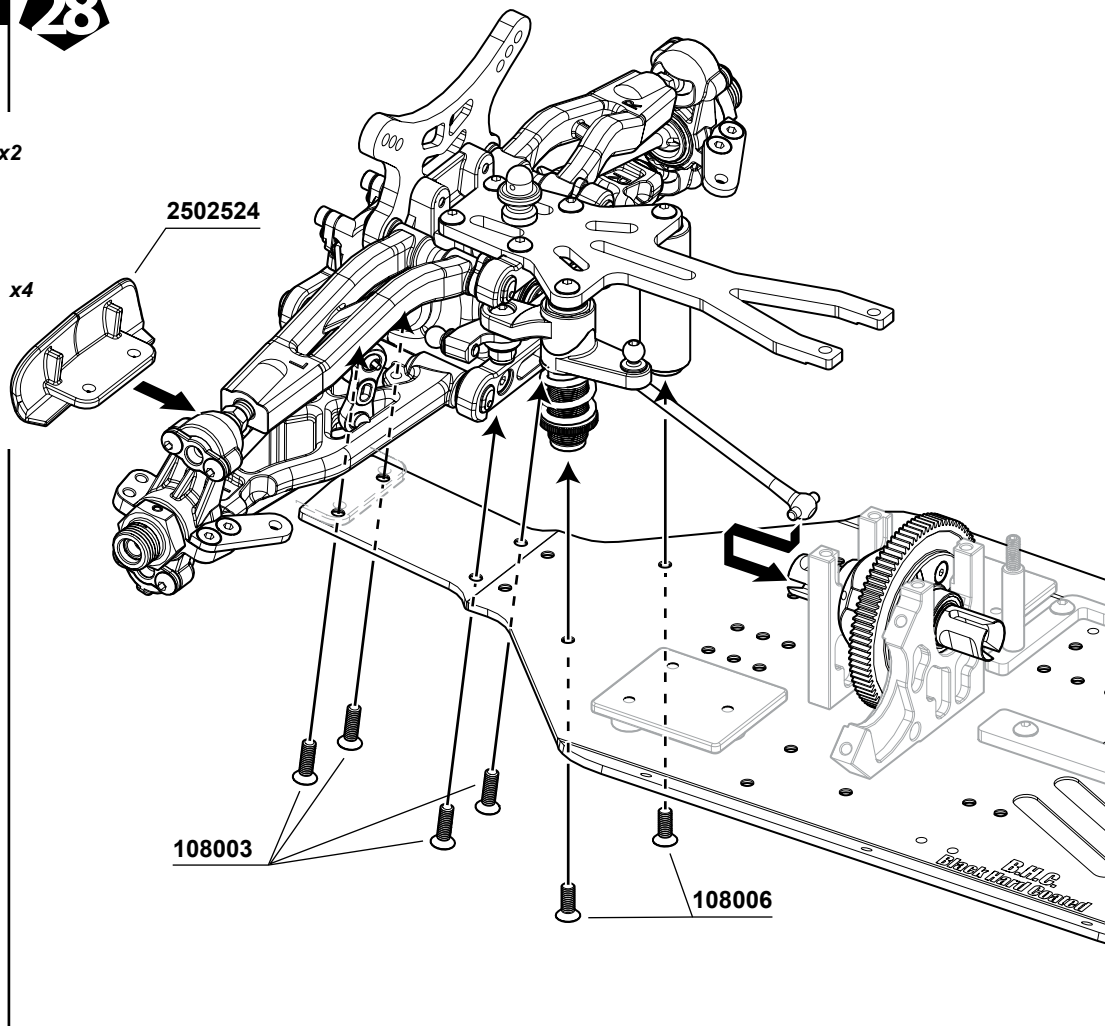
**BAG M1** 28



108006  
M3x8mm FH/ST HEX Screw x2



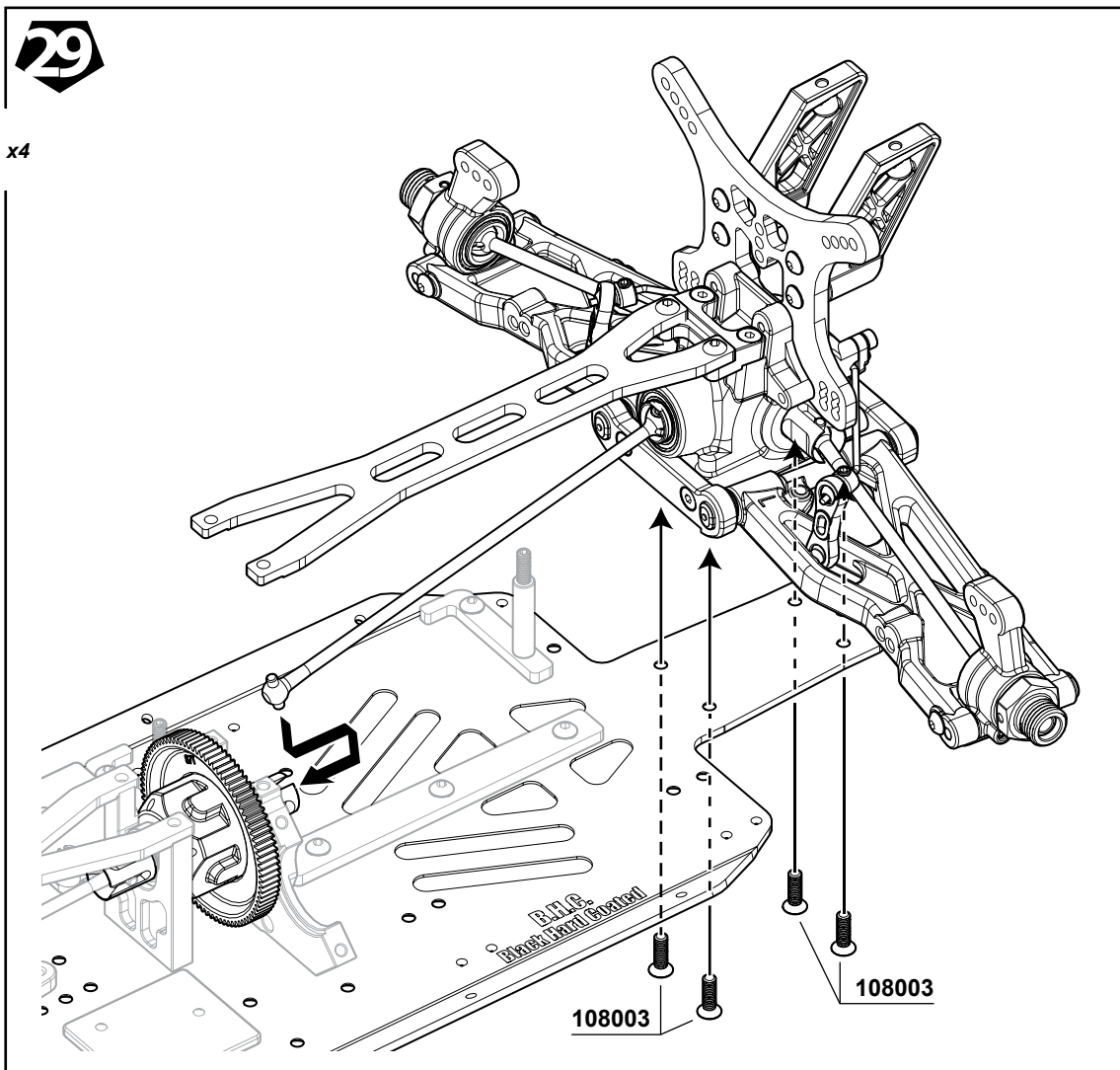
108003  
M3x10mm FH/ST HEX Screw x4







108003  
M3x10mm FH/ST HEX Screw x4



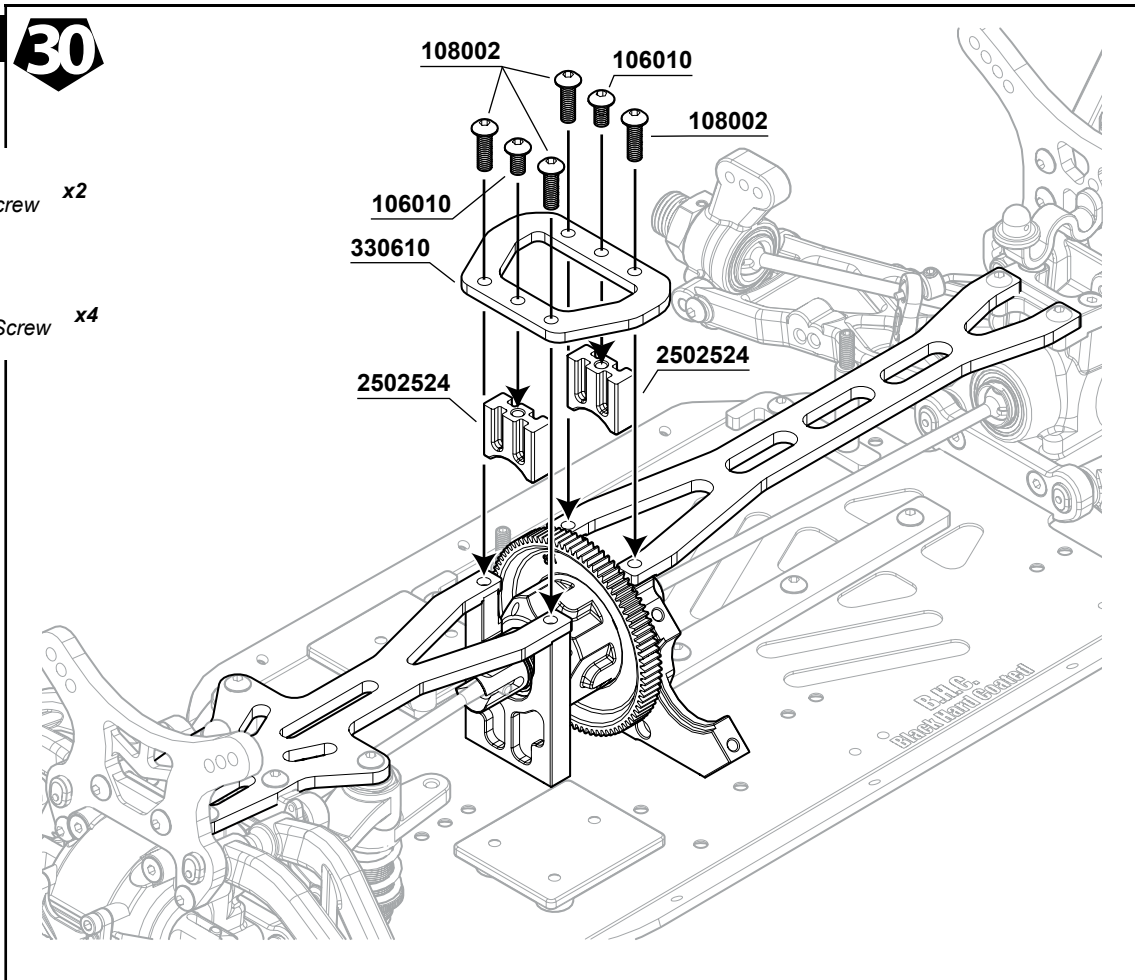
**BAG M 1 30**



106010  
M3x6mm Hex Socket OH/TP Screw x2



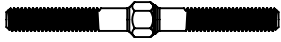
106002  
M3x10mm Hex Socket OH/TP Screw x4







**330643**  
Steering Linkage Ball Stud 5mm **x4**



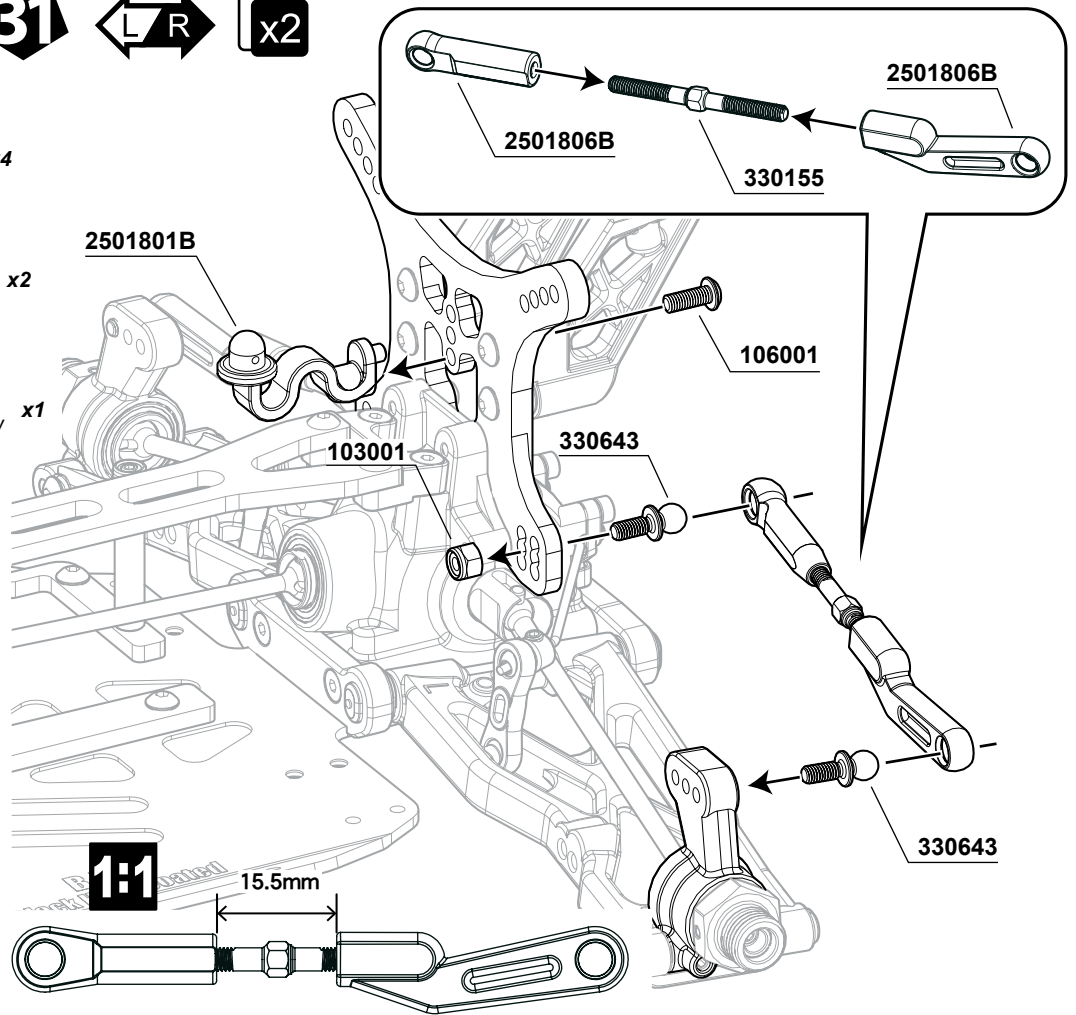
**330155**  
Rear Upper Sus. Arm Turnbuckles **x2**



**106001**  
M3x8mm Hex Socket OH/TP Screw **x1**



**103001**  
M3 Nut Lock **x2**



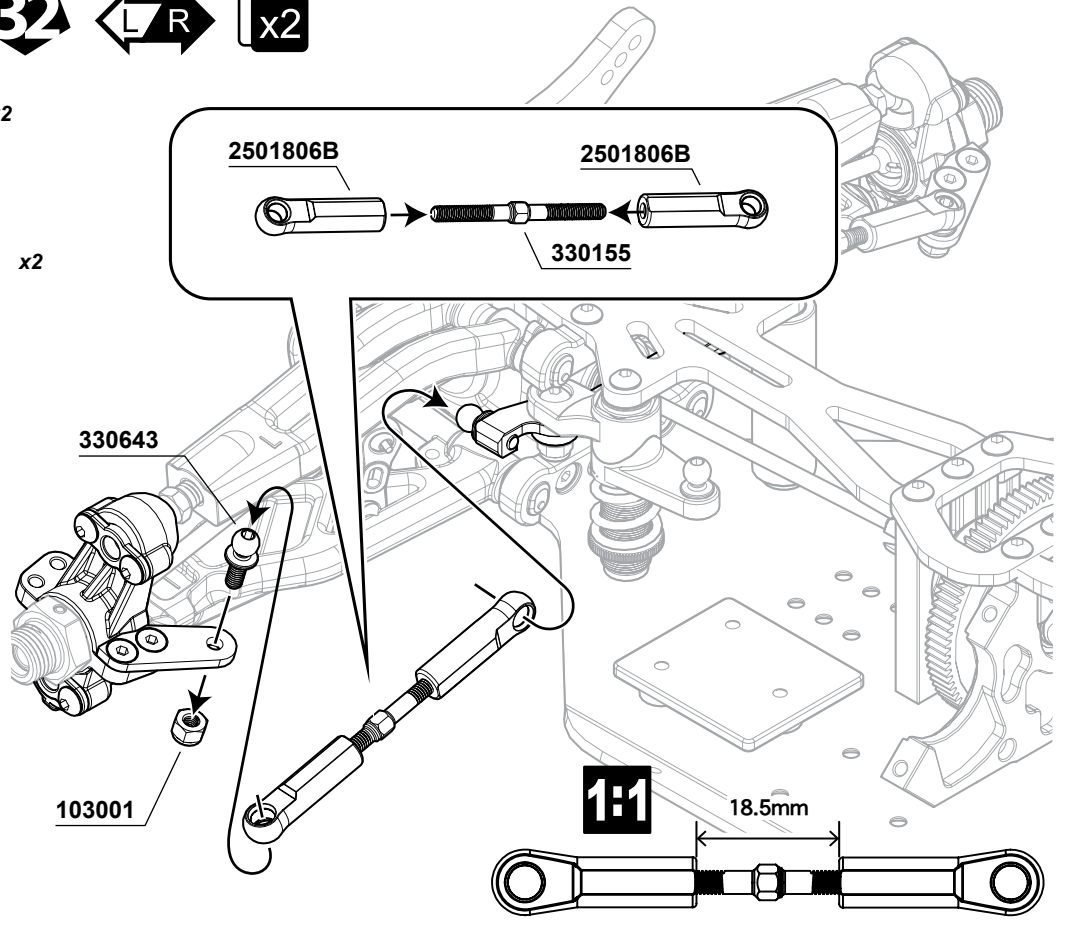
**330643**  
Steering Linkage Ball Stud 5mm **x2**



**330155**  
Rear Upper Sus. Arm Turnbuckles **x2**



**103001**  
M3 Nut Lock **x2**





**108006**  
M3x8mm FH/ST HEX Screw x2



**106010**  
M3x6mm Hex Socket OH/TP Screw x2



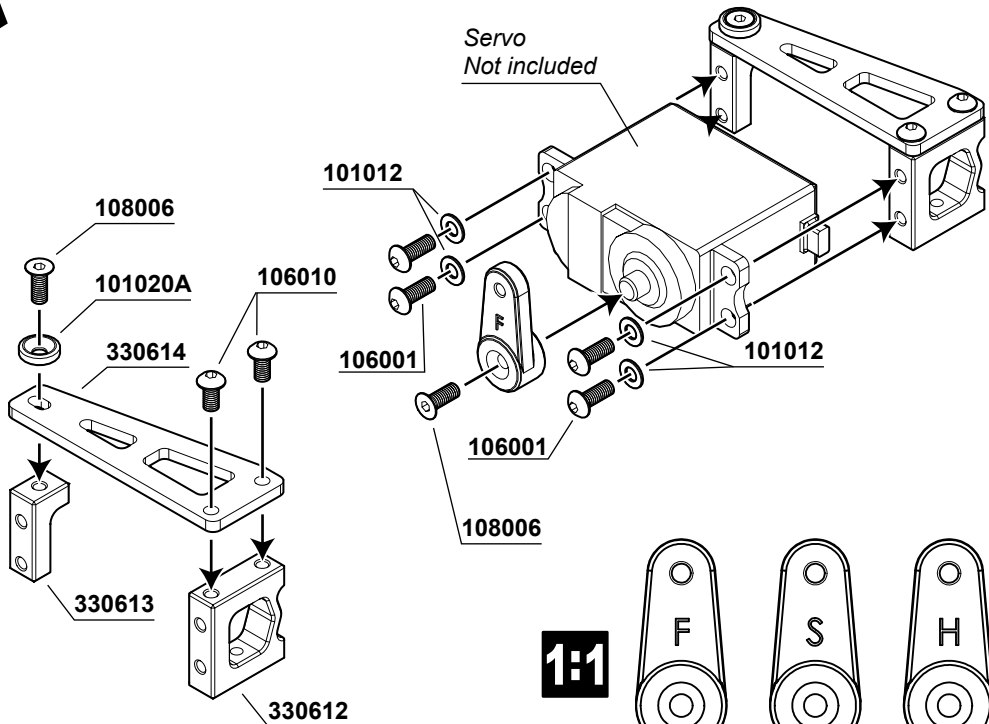
**106001**  
M3x8mm Hex Socket OH/TP Screw x4



**101020A**  
3mm Countersunk Washers (RD) x1



**101012**  
Washer M3x6xT0.5mm x4



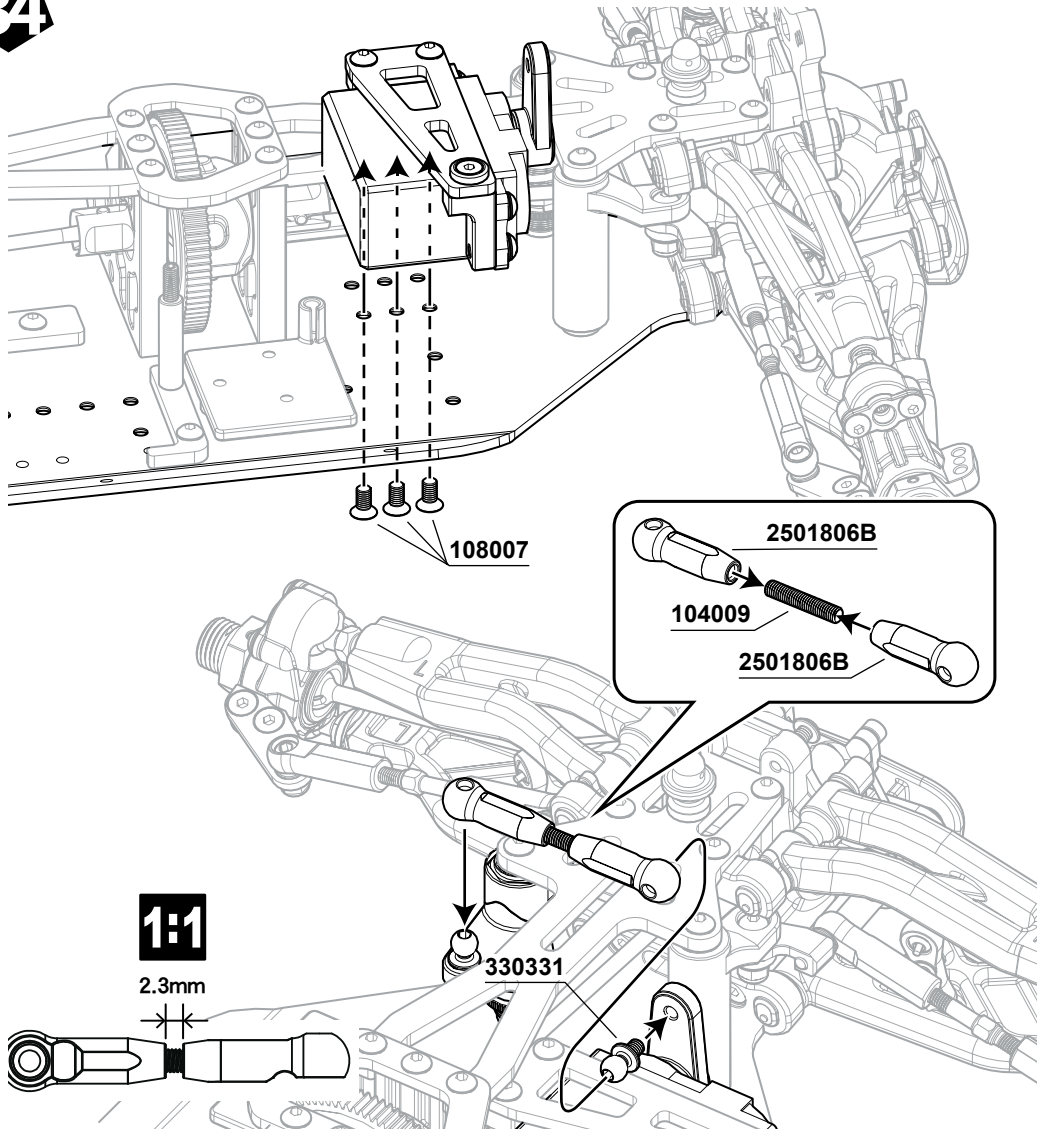
**108007**  
M3x6mm FH/ST HEX Screw x3



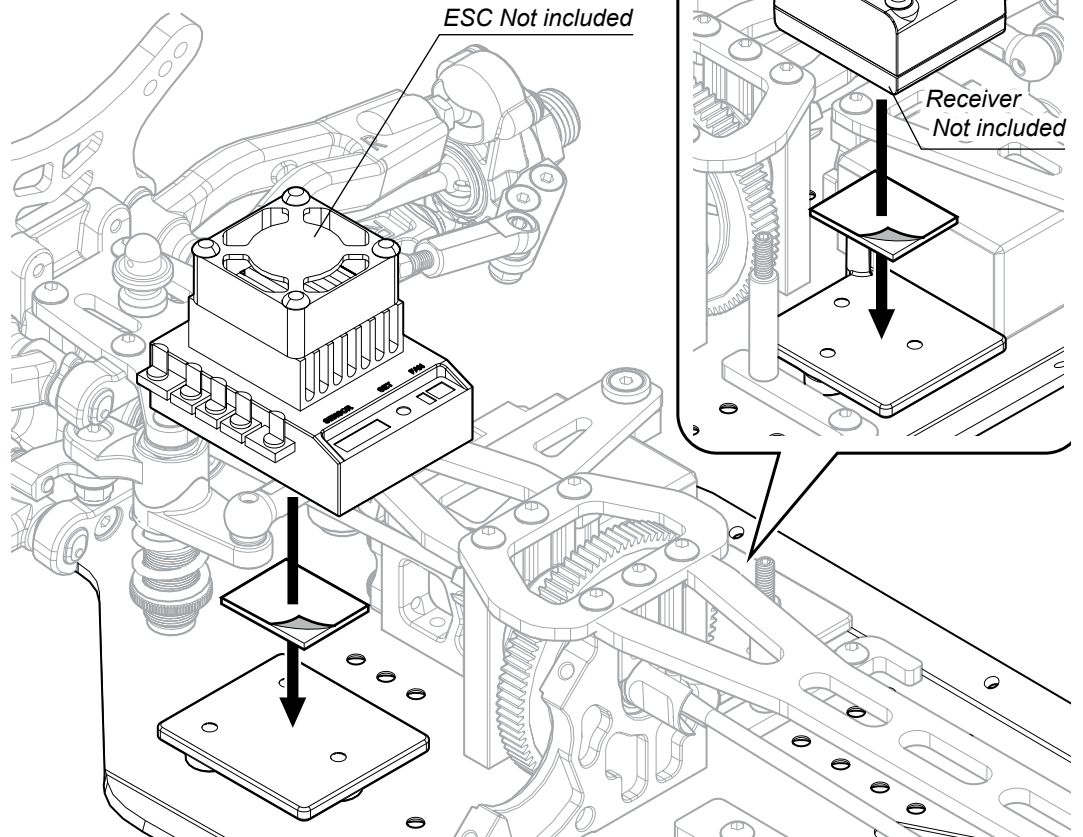
**330331**  
Steering Linkage Ball Stud 5mm x1



**104009**  
M3x16mm Set Screw x1




**35**





**36**

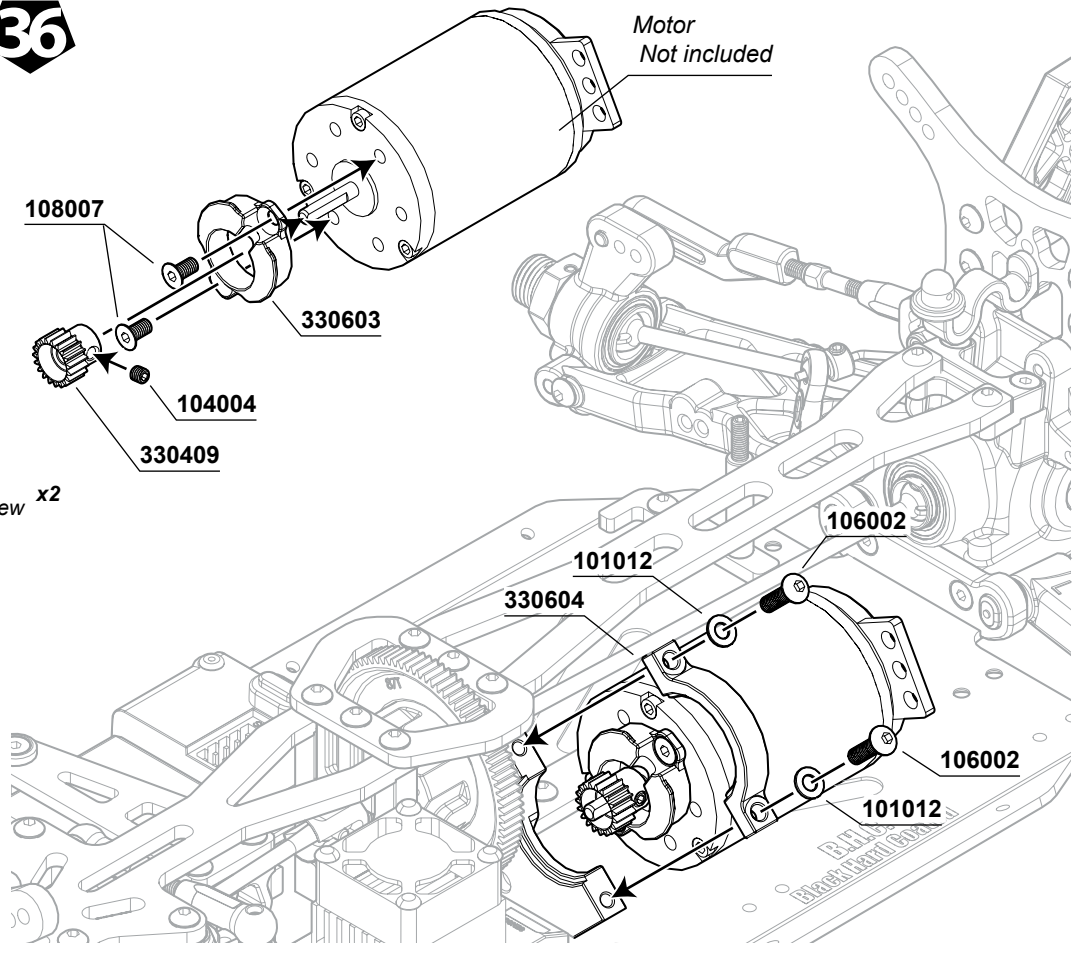
 **104004**  
M3x3mm Set Screw x1

 **108007**  
M3x6mm FH/ST HEX Screw x2

 **101012**  
Washer M3x6xT0.5mm x2

 **106002**  
M3x10mm Hex Socket OH/TP Screw x2

  **330409**  
S104 Motor Gear 19T x1







x2 For Front

x2 For Rear

101011  
Shock Washer 2.6x6x0.5mm x4

330545  
Shock Washer 3.3x6.5x2.5mm x8

400018A  
Shock Seal O-ring 2x2.7mm x8

330531  
Shock Shaft L x2

330532  
Shock Shaft S x2

400014  
O-Ring 1.5x13.5mm x4

410049  
Shock Seal Cap O-ring 8x10x1mm x4

410047  
S102 Shock Cap O-Ring (SP) x4

330544  
Aluminum Shock Seal Cover x4

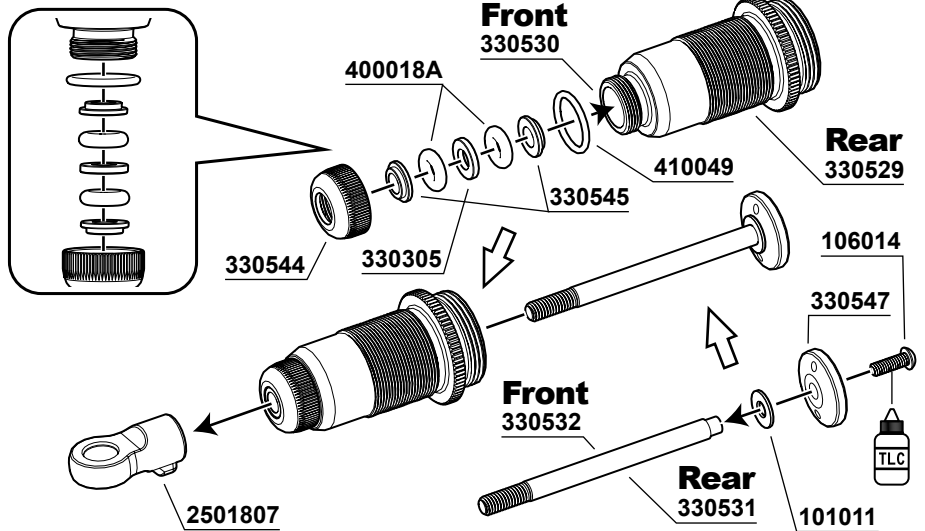
330305  
Shock Washer 3.3x6.7x1mm x4

330547  
Shock Piston 1.5mmx2 holes x4

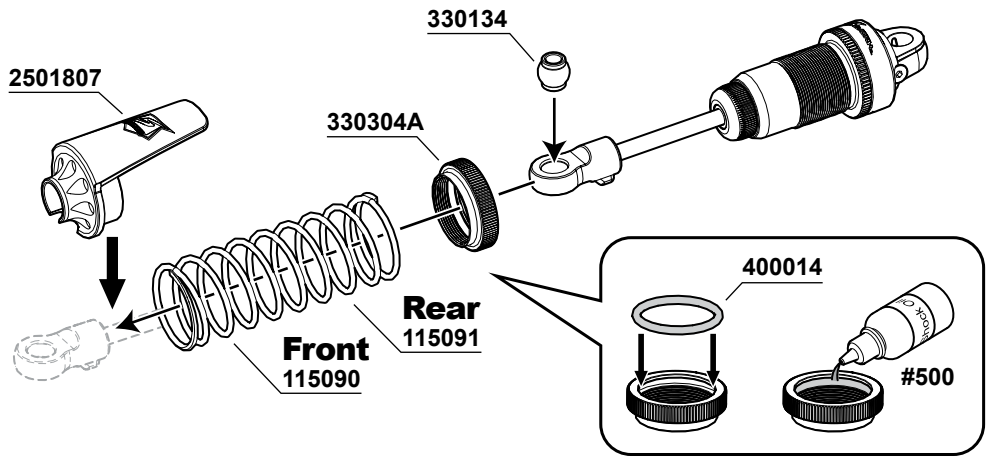
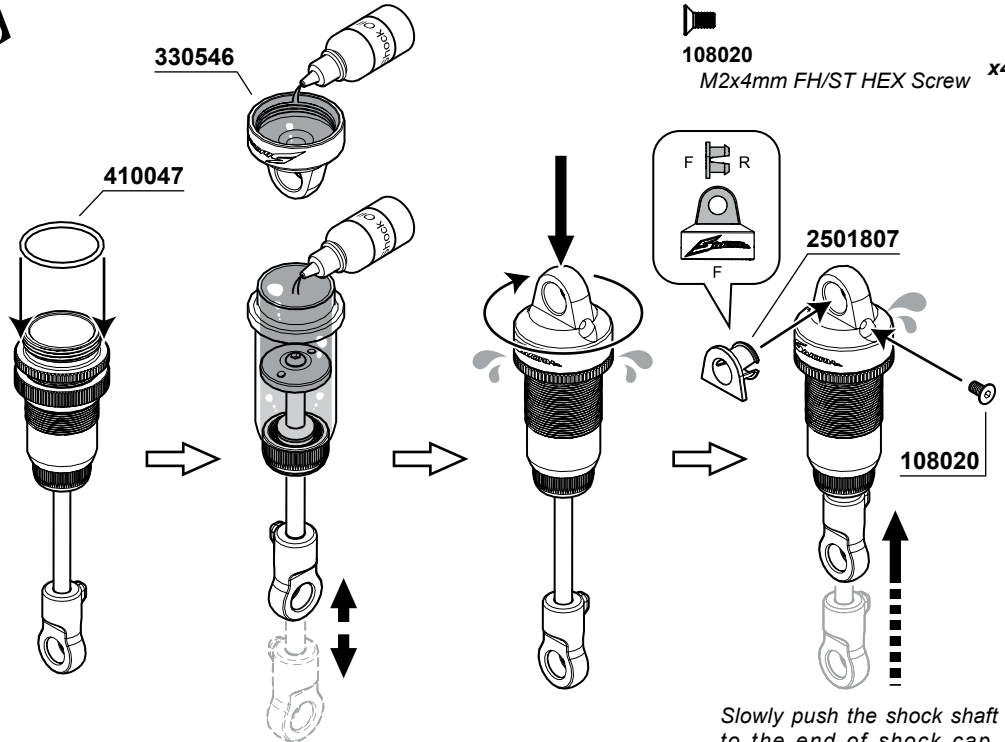
330134  
Shock Ball Stud x4

330304A  
Aluminum Shock Spring Adjust Nut x4

106014  
M2x6mm Hex Soker OH/TP Screw x4



108020  
M2x4mm FH/ST HEX Screw x4





**108001**  
M3x12mm FH/ST HEX Screw

x4



**330312A**  
Aluminum Shock Cap Stud

x2



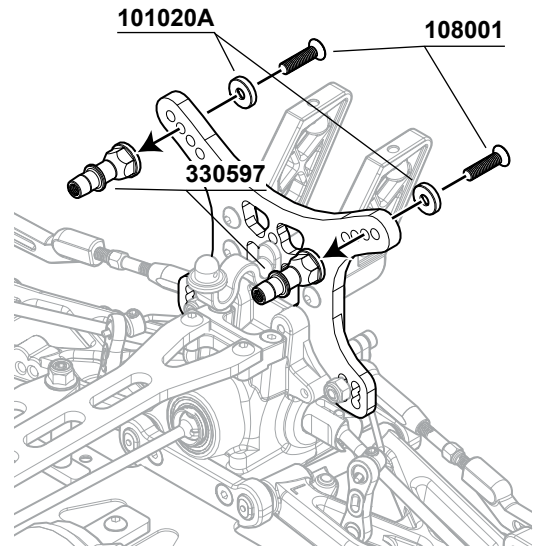
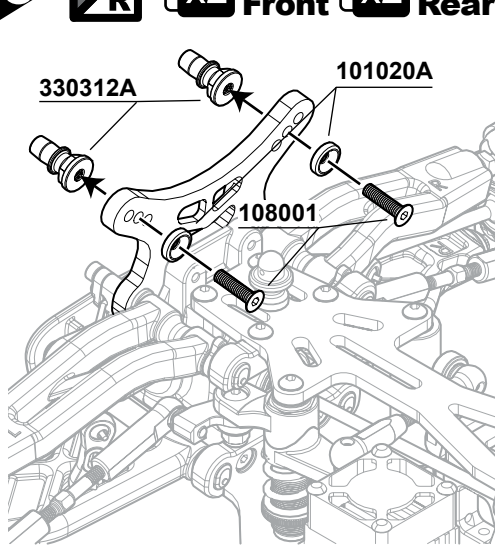
**330597**  
Aluminum Shock Cap Stud

x2



**101020A**  
3mm Countersunk Washers (RD)

x4



**108006**  
M3x8mm FH/ST HEX Screw

x4



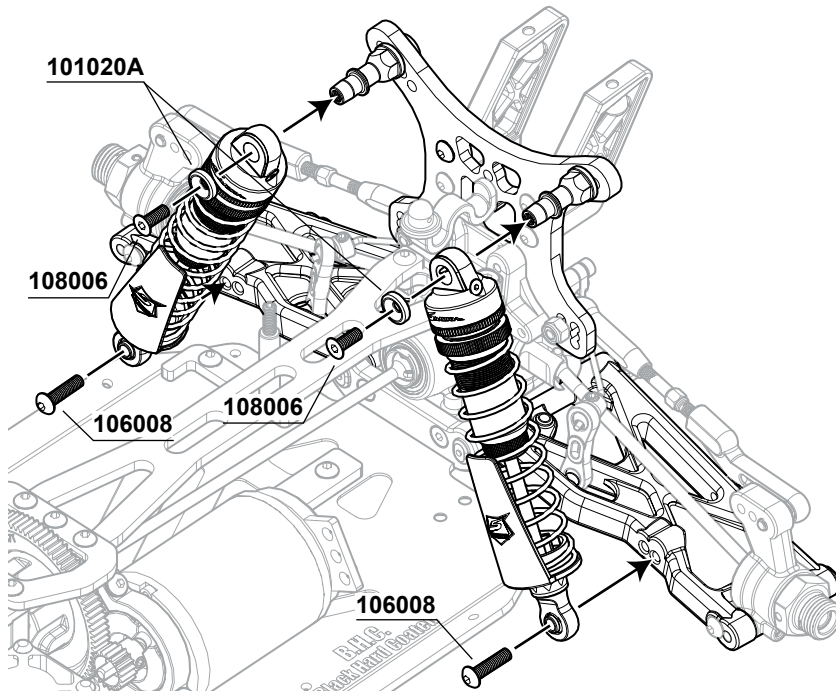
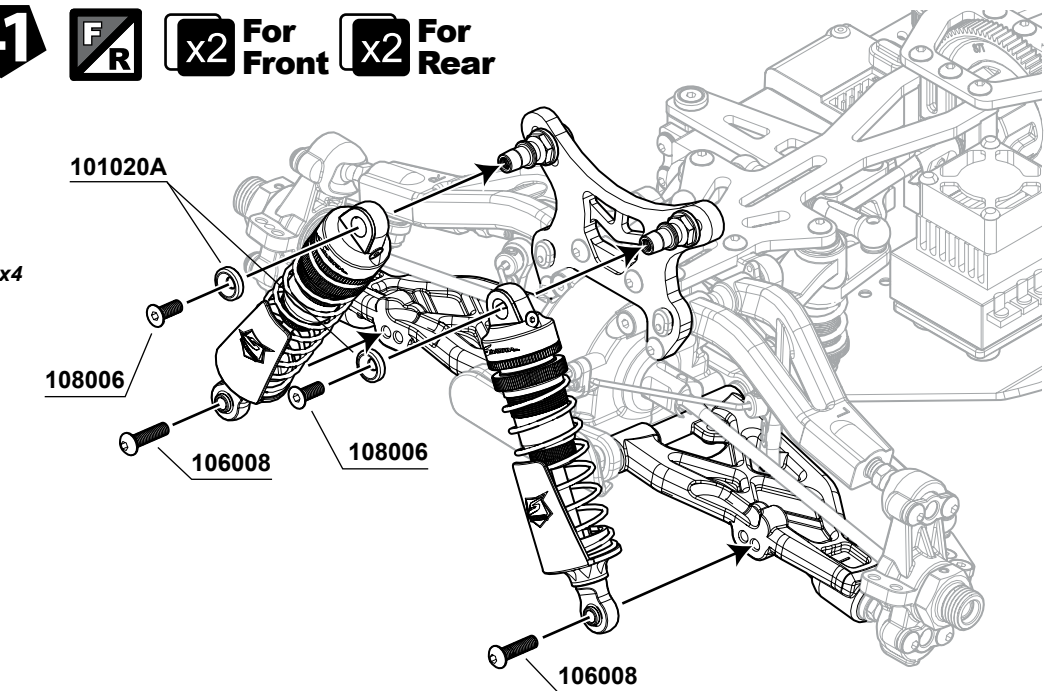
**106008**  
M3x12mm Hex Soket OH/TP Screw

x4



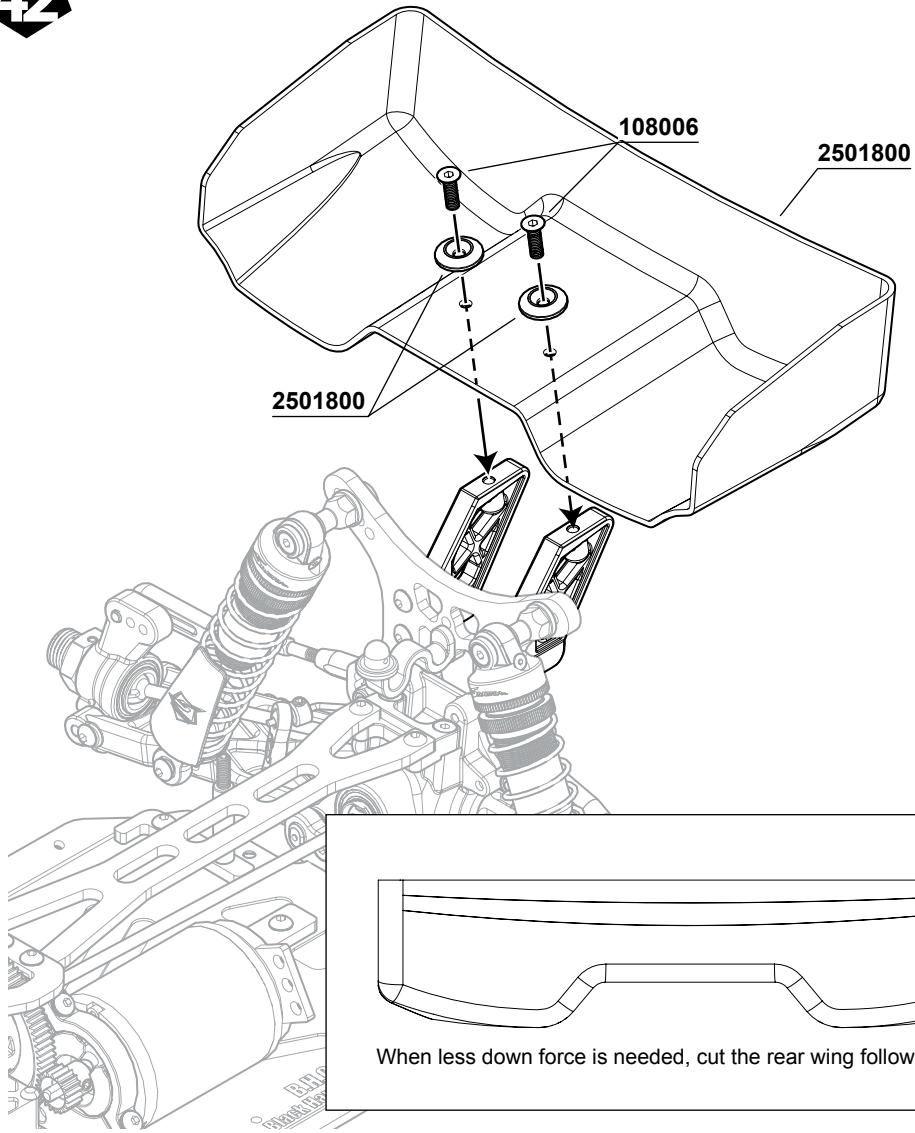
**101020A**  
3mm Countersunk Washers (RD)

x4

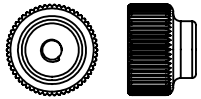




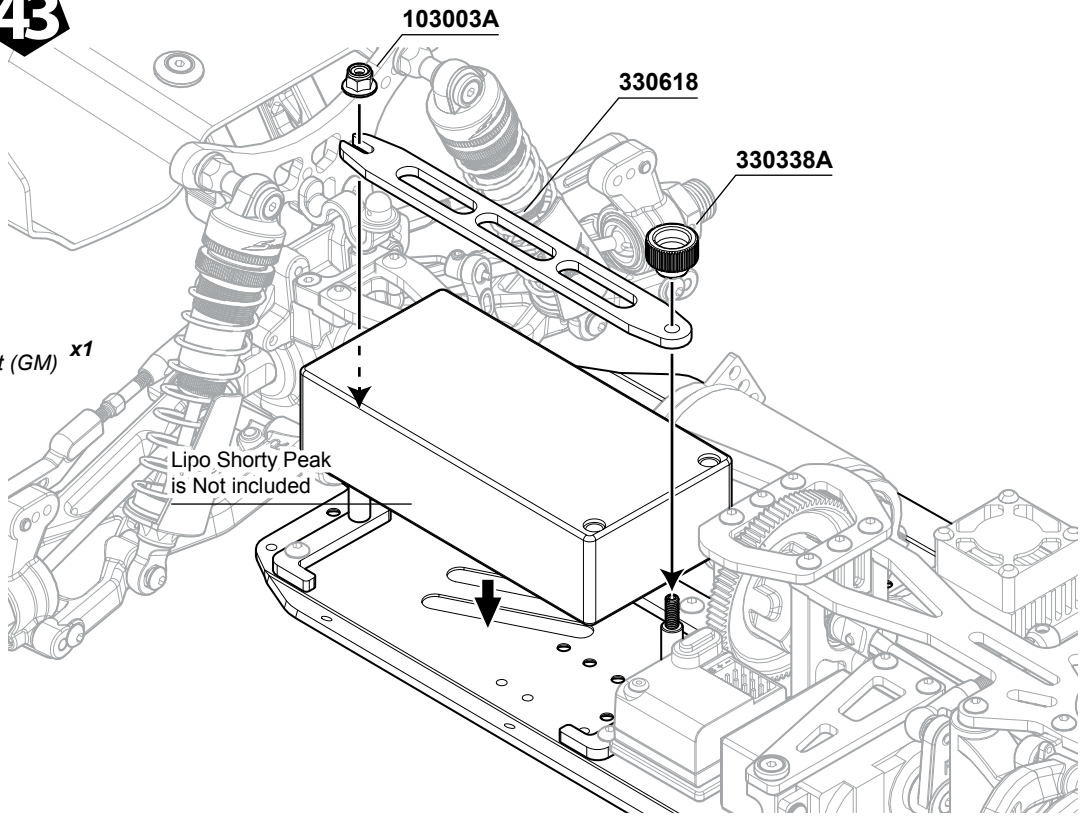
**108006**  
M3x8mm FH/ST HEX Screw x2



**103003A**  
Flange M3 Nut Lock x1



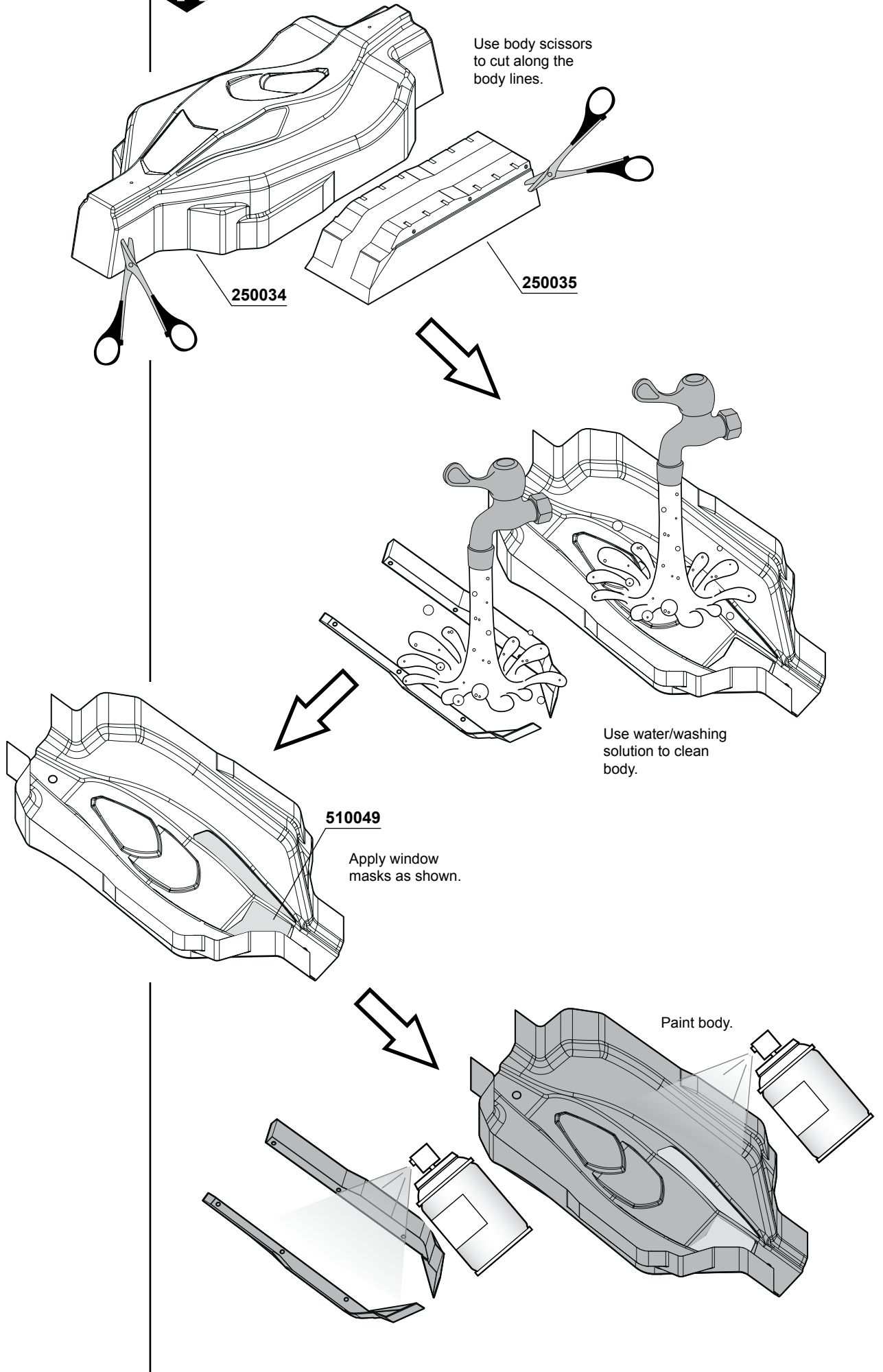
**330338A**  
S104 Aluminum Battery Holder Nut (GM) x1

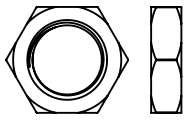




**44**

### Body shell painting preparation





330298A  
S104 Wheel Nut 14mm x4

45

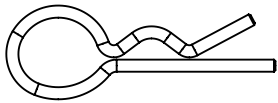
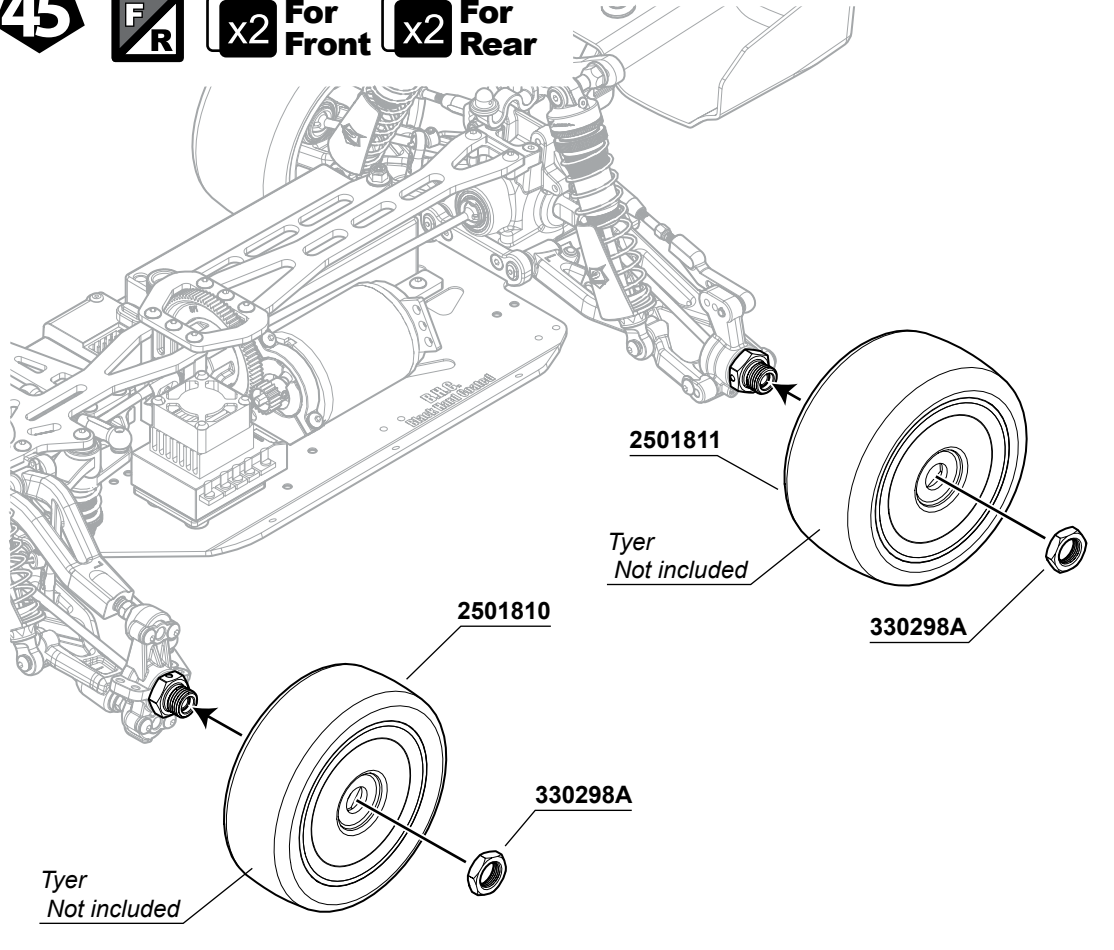


x2

For Front

x2

For Rear



115062  
1/10 Body Clip x2

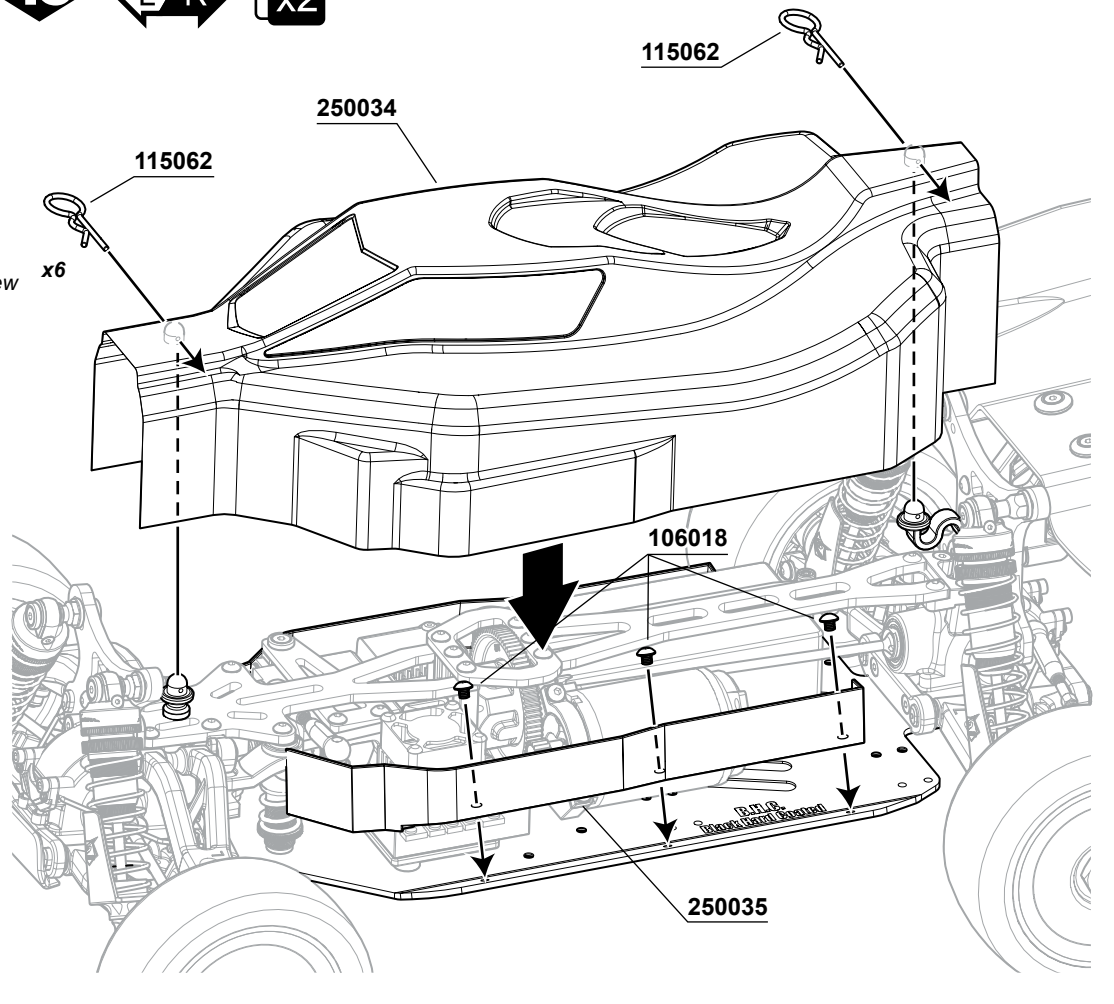


106018  
M3x3mm Hex Socket OH/TP Screw

46




x2



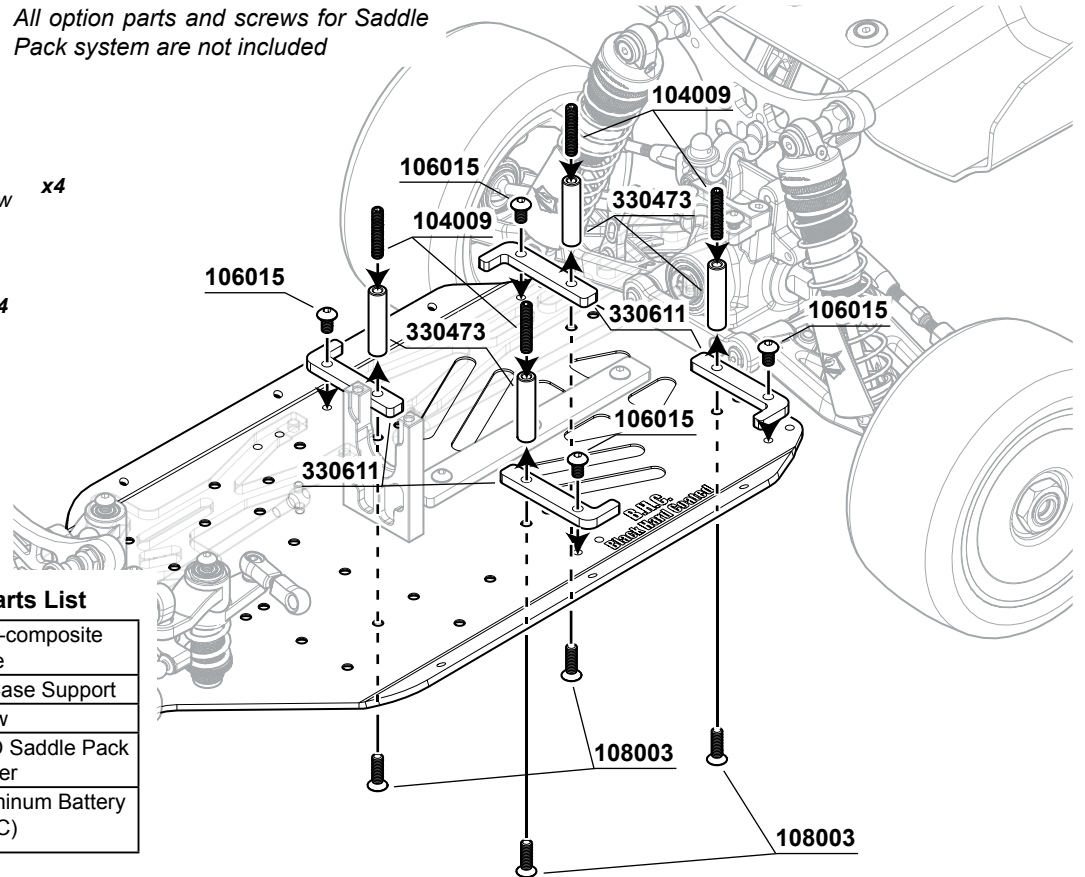
## Option Battery Saddle Pack Installation

All option parts and screws for Saddle Pack system are not included

 **104009**  
M3x16mm Set Screw x4

 **106015**  
M3x5mm Hex Socket OH/TP Screw x4

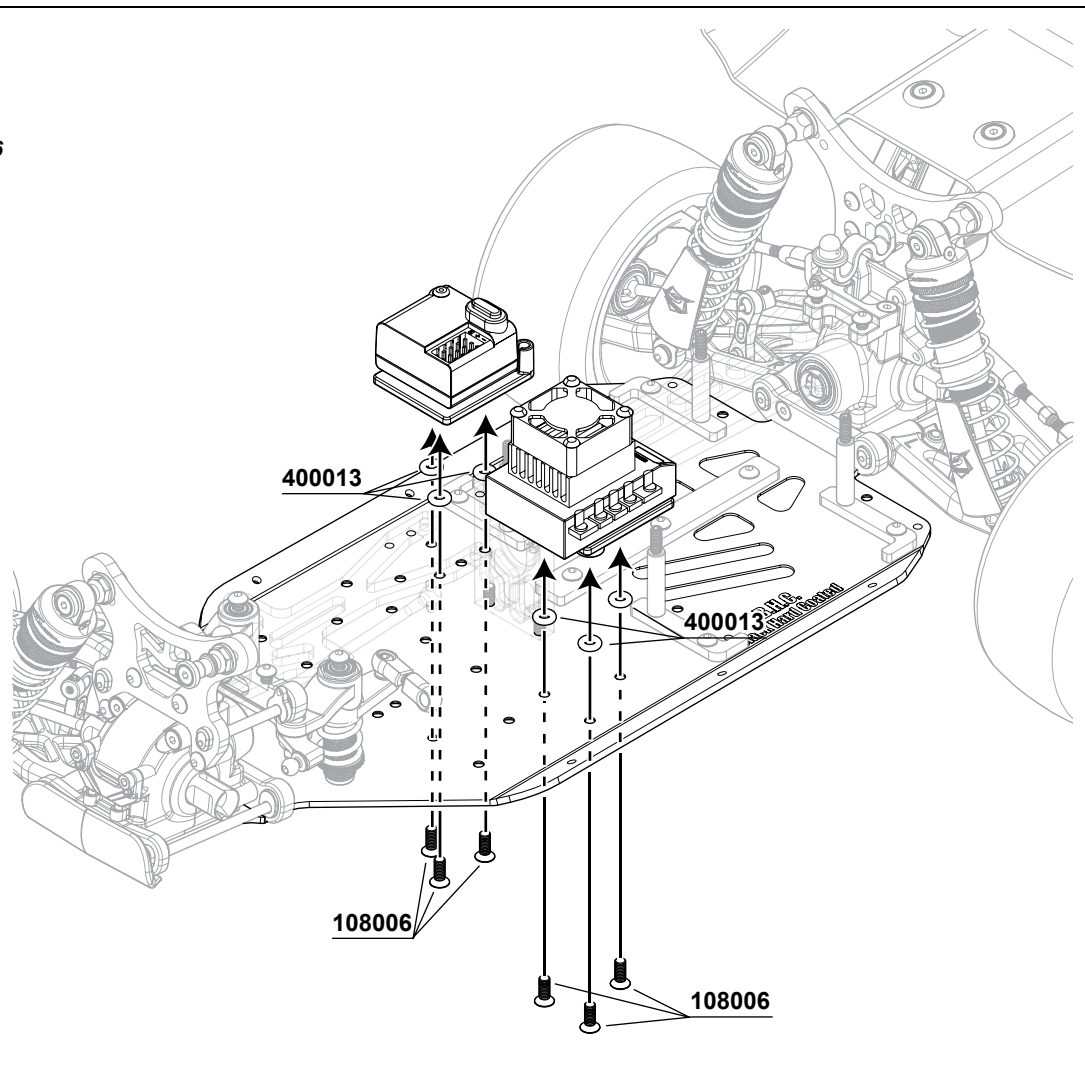
 **108003**  
M3x10mm FH/ST HEX Screw x4



### Battery Saddle Pack Option Parts List

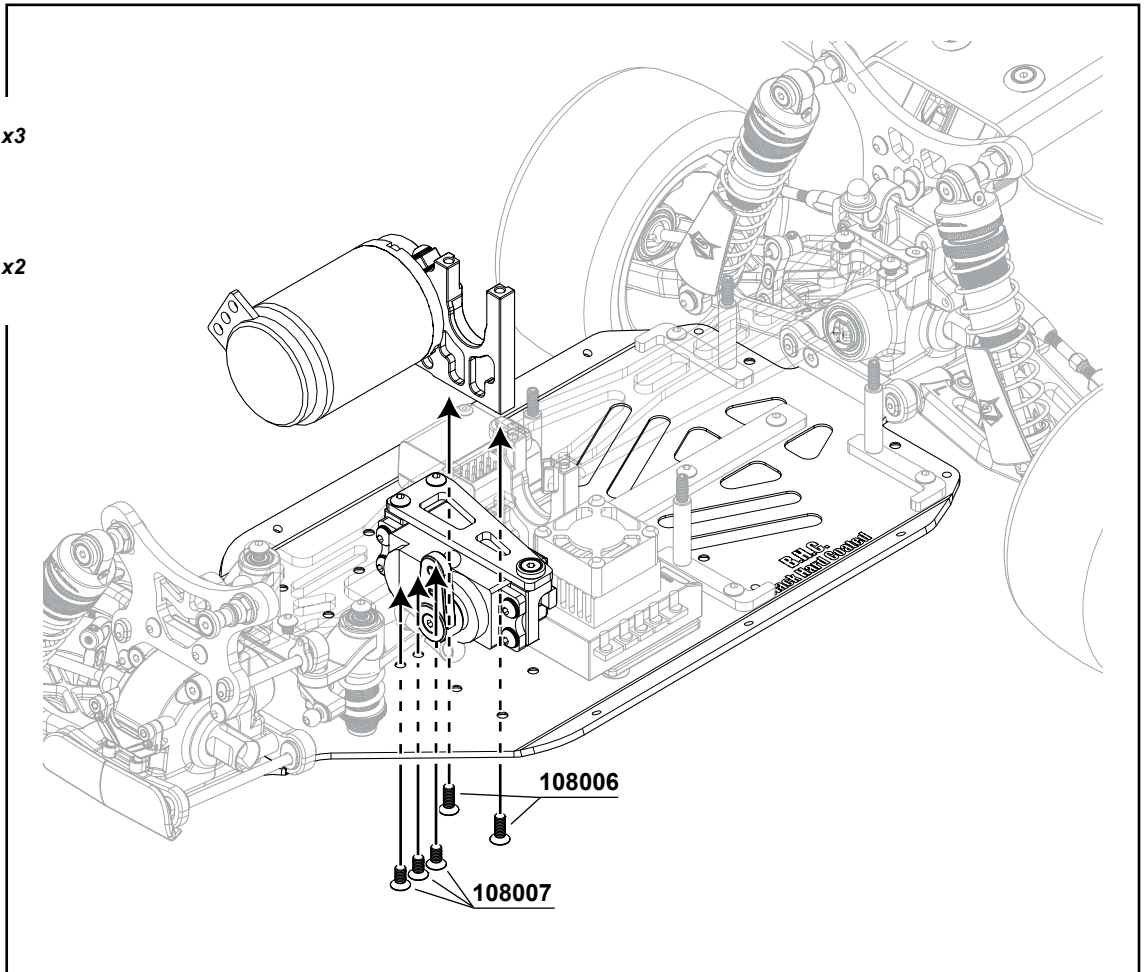
SW-330611	2015 S104 EVO Pro-composite Carbon Battery Case
SW-330473	S104 EVO Battery Case Support
SW-104009	M3x16mm Set Screw
SW-330470	SWORKz S104 EVO Saddle Pack Carbon Battery Holder
SW-330338A	SWORKz S104 Aluminum Battery Holder Nut (GM)(4PC)

 **108006**  
M3x8mm FH/ST HEX Screw x6

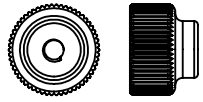


 **108007**  
M3x6mm FH/ST HEX Screw x3

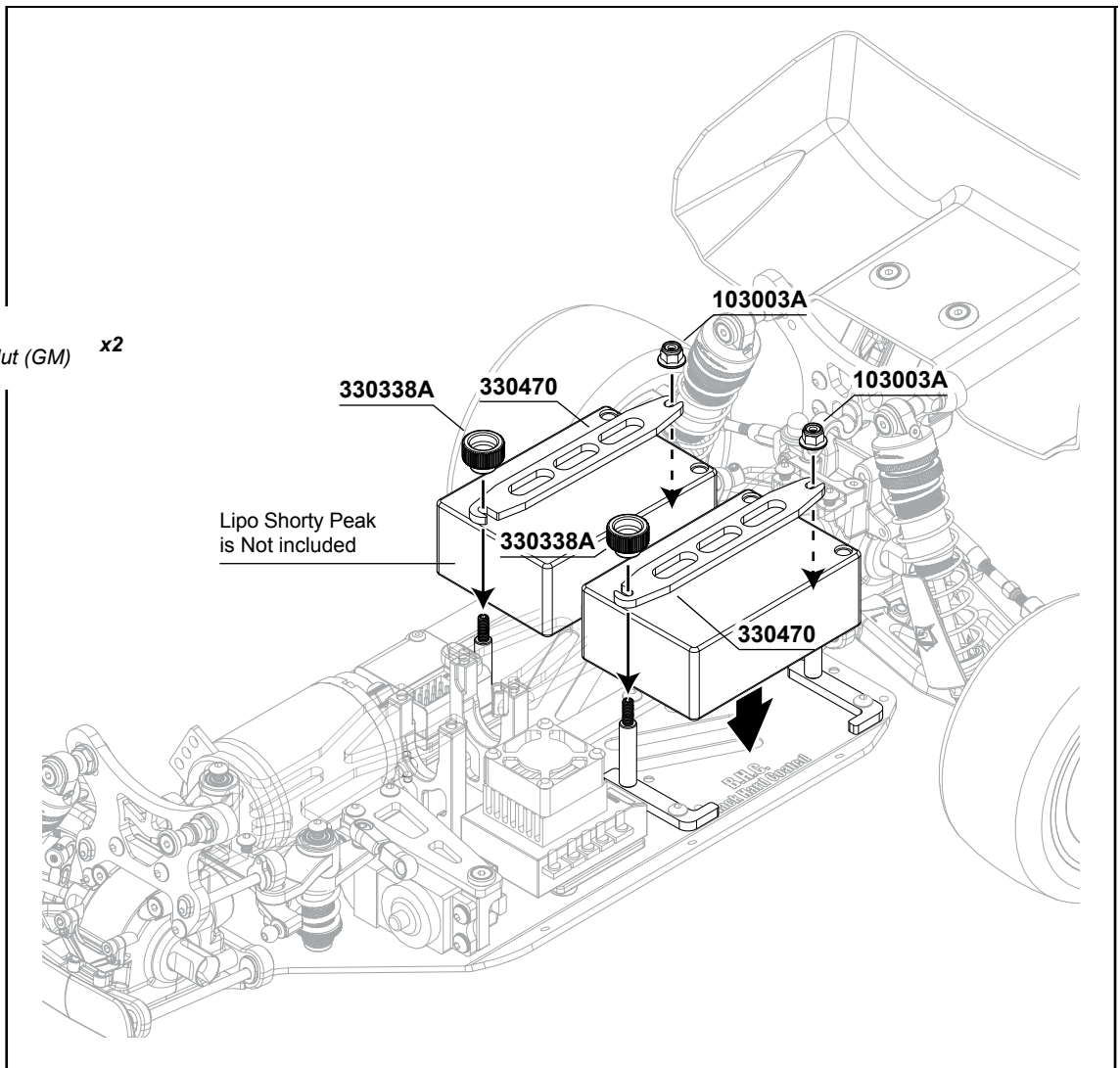
 **108006**  
M3x8mm FH/ST HEX Screw x2



  **103003A**  
Flange M3 Nut Lock x2



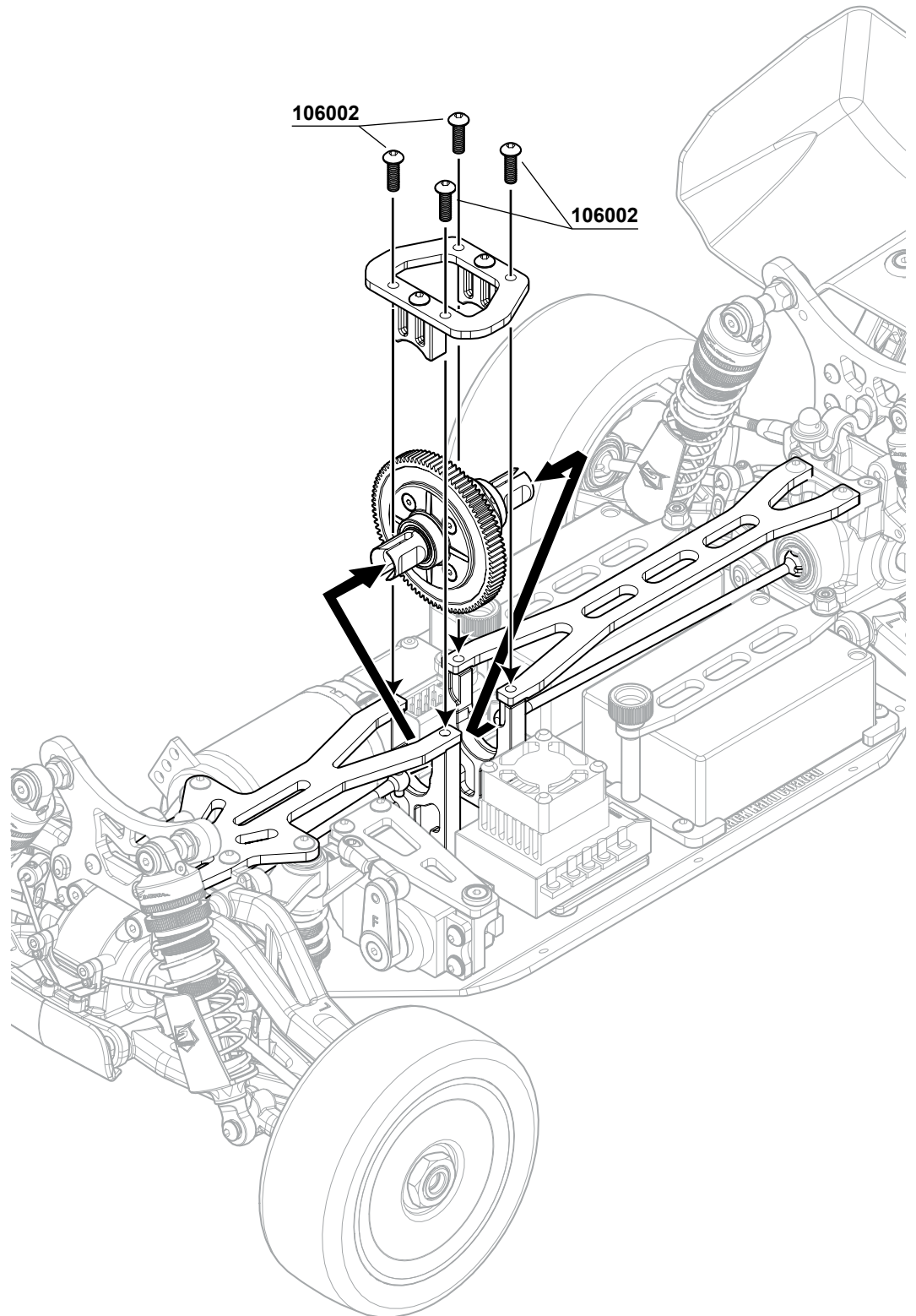
**330338A**  
S104 Aluminum Battery Holder Nut (GM) x2







**106002**  
M3x10mm Hex Socket OH/TP Screw **x4**



## S104EVO

### Track Conditions

- Size:  Open  Med.  Tight  
 Traction:  High  Med.  Low  
 Surface:  Smooth  Med.  Bumpy

Name: \_\_\_\_\_  
 Date: \_\_\_\_\_  
 Track: \_\_\_\_\_

**Diff. Oil**  
 Front: \_\_\_\_\_  
 Center: \_\_\_\_\_  
 Rear: \_\_\_\_\_

### Electric System

ESC Type: \_\_\_\_\_

Motor Type: \_\_\_\_\_

Motor Gear/Spur Gear: \_\_\_\_\_

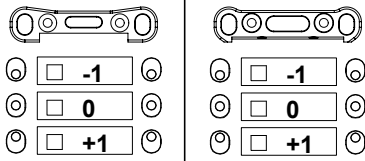
Battery Type A: Saddle Pack \_\_\_\_\_  
 B: Shorty Pack \_\_\_\_\_

### Tire

Front Type: \_\_\_\_\_ Rear Type: \_\_\_\_\_  
 Front Foam: \_\_\_\_\_ Rear Foam: \_\_\_\_\_

### Front Suspension

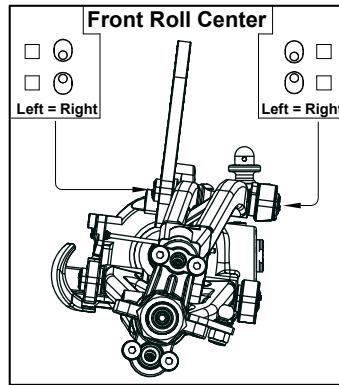
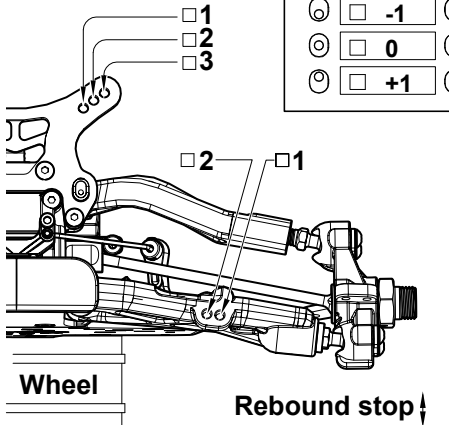
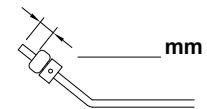
#### Front in-Board Toe



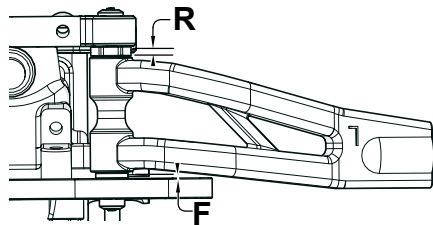
#### Front Shocks

Oil: \_\_\_\_\_  
 Pistons: \_\_\_\_\_  
 Spring: \_\_\_\_\_  
 Spacer: \_\_\_\_\_ mm

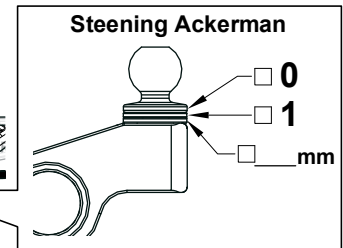
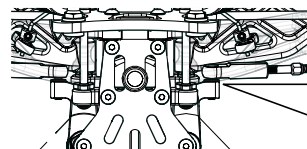
Body: \_\_\_\_\_  
 Wing: \_\_\_\_\_



Track width \_\_\_\_\_ mm  
 Camber angle Upper \_\_\_\_\_ mm  
 Lower \_\_\_\_\_ mm  
 Toe angle \_\_\_\_\_ mm  
 Rebound stop \_\_\_\_\_ mm  
 Sway bar  Use \_\_\_\_\_ mm  
 None

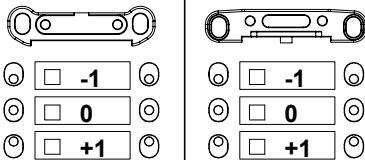


R: \_\_\_\_\_ mm  
 F: \_\_\_\_\_ mm



### Rear Suspension

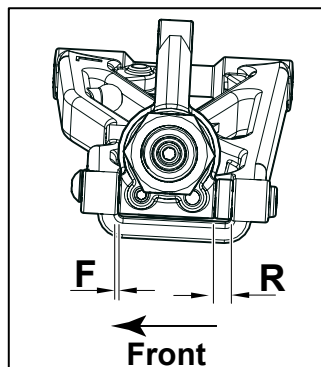
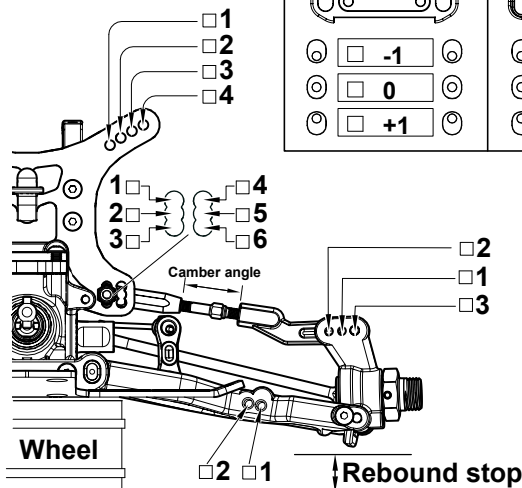
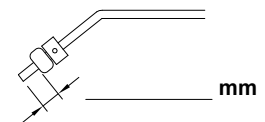
#### Rear Toe-In



#### Rear Shocks

Oil: \_\_\_\_\_  
 Pistons: \_\_\_\_\_  
 Spring: \_\_\_\_\_  
 Spacer: \_\_\_\_\_ mm

Camber angle \_\_\_\_\_ mm  
 Rebound stop \_\_\_\_\_ mm



Wheelbase F \_\_\_\_\_ mm  
 adjustment R \_\_\_\_\_ mm  
 Sway bar  Use \_\_\_\_\_ mm  
 None

Notes: \_\_\_\_\_  
 \_\_\_\_\_  
 \_\_\_\_\_



## S104EVO

Name: Atsushi Hara  
 Date: 2015/1/25  
 Track: OCRC Raceway

Diff. Oil  
 Front: #10000  
 Center: #500000  
 Rear: #10000

### Tire

Front Type: Pro Line Rear Type: Pro Line  
 Front Foam: Pro Line Rear Foam: Pro Line

### Track Conditions

Size:  Open  Med.  Tight  
 Traction:  High  Med.  Low  
 Surface:  Smooth  Med.  Bumpy

### Electric System

ESC Type: Hobby Wing V3.1  
 Motor Type: Hobby Wing V10 5.5T  
 Motor Gear/Spur Gear: 19/87T  
 Battery Type A: Saddle Pack \_\_\_\_\_  
 B: Shorty Pack Pro Tek RC

### Front Suspension

#### Front in-Board Toe

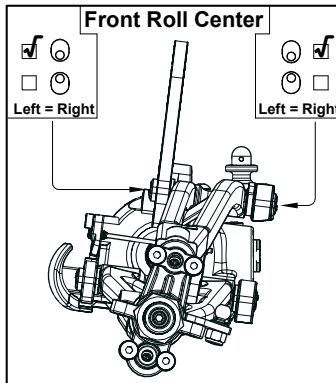
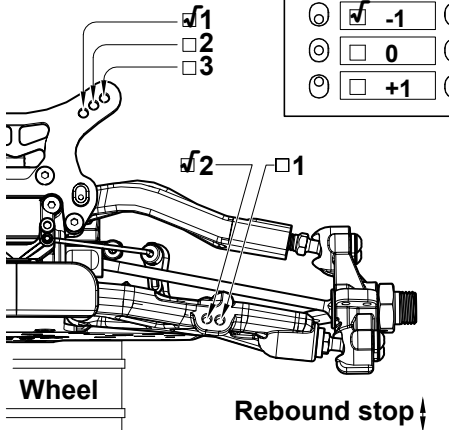
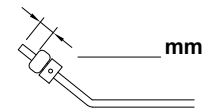
<input checked="" type="checkbox"/> 1	<input type="checkbox"/> -1	<input type="checkbox"/> -1
<input type="checkbox"/> 2	<input type="checkbox"/> 0	<input checked="" type="checkbox"/> 0
<input type="checkbox"/> 3	<input type="checkbox"/> +1	<input type="checkbox"/> +1

#### Front Shocks

Oil: #400  
 Pistons: 1.5x2Holes  
 Spring: Green  
 Spacer: 15 mm

Body: SWORKZ

Wing: SWORKZ



Track width \_\_\_\_\_ mm

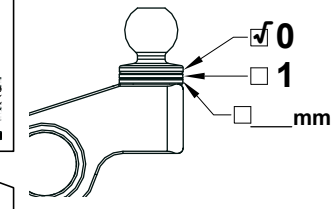
Camber angle Upper 1 mm  
 Lower 2 mm

Toe angle \_\_\_\_\_ mm

Rebound stop \_\_\_\_\_ mm

Sway bar  Use \_\_\_\_\_ mm  
 None

#### Steering Ackerman



R: 2 mm

F: 0 mm

### Rear Suspension

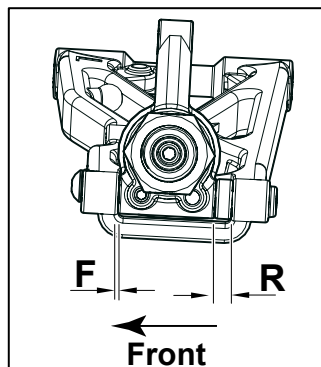
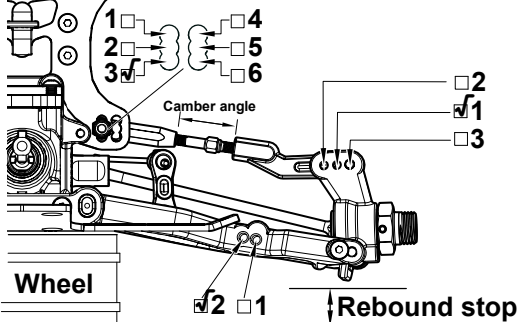
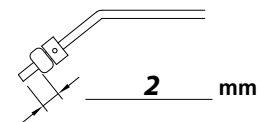
#### Rear Toe-In

<input type="checkbox"/> -1	<input checked="" type="checkbox"/> -1
<input checked="" type="checkbox"/> 0	<input type="checkbox"/> 0
<input type="checkbox"/> +1	<input type="checkbox"/> +1

#### Rear Shocks

Oil: #350  
 Pistons: 1.5x2Holes  
 Spring: Green  
 Spacer: 10 mm

Camber angle 15.5 mm  
 Rebound stop \_\_\_\_\_ mm



Wheelbase F \_\_\_\_\_ mm  
 adjustment R 3 mm

Sway bar  Use 1.3 mm  
 None

Notes: \_\_\_\_\_

\_\_\_\_\_

\_\_\_\_\_

\_\_\_\_\_

Parts No. List			
Part No.	Part Name	Q'ty in Use	Item No.
103001	M3 Nut Lock	8	SW-103001
104004	M3x3mm Set Screw	5	SW-104004
104005	Set Screw M3x4	6	SW-104005
104008	M4x4mm Set Screw	4	SW-104008
104009	M3x16mm Set Screw	3	SW-104009
105004	M2.6x6mm Cap Screw	4	SW-105004
106001	M3x8mm Hex Soket OH/TP Screw	11	SW-106001
106002	M3x10mm Hex Soket OH/TP Screw	16	SW-106002
106005	M3x15mm Hex Soket OH/TP Screw	2	SW-106005
106008	M3x12mm Hex Soket OH/TP Screw	6	SW-106008
106010	M3x6mm Hex Soket OH/TP Screw	15	SW-106010
106014	M2x6mm Hex Soket OH/TP Screw	4	SW-106014
106015	M3x5mm Hex Soket OH/TP Screw	7	SW-106015
106018	M3x3mm Hex Soket OH/TP Screw	6	SW-106018
108001	M3x12mm FH/ST HEX Screw	10	SW-108001
108003	M3x10mm FH/ST HEX Screw	16	SW-108003
108006	M3x8mm FH/ST HEX Screw	20	SW-108006
108007	M3x6mm FH/ST HEX Screw	9	SW-108007
108017	M2.6x10mm FH/ST HEX Screw	12	SW-108017
108018	M3x30mm FH/ST HEX Screw	4	SW-108018
108020	M2.0x4mm FH/ST HEX Screw	4	SW-108020
115055	S104 Sway Bar 1.3mm	1	SW-115055
115056	S104 Sway Bar 1.5mm	1	SW-115056
115062	1/10 Body Clip	2	SW-115062
115090	S104EVO/S102 Front Shock Spring(1.3P5.5)	2	SW-115090
115091	S104EVO/S102 Rear Shock Spring(1.2Px6.0)	2	SW-115091
115131	S104 EVO Servo Saver Spring(H)	1	SW-115131
116013	Ball Bearing 10x15x4mm	14	SW-116013
116017	Ball Bearing 6x12x4mm	4	SW-116017
117003	Flange Ball Bearing 3x6x2.5mm	4	SW-117003
117004	Bushing 5x8x2.5mm	4	SW-117004
101020A	3mm Countersunk Washers (RD)	9	SW-101020A
103003A	Flange M3 Nut Lock (GM)	1	SW-103003A
200193	Antenna Tube	1	SW-200193
2501794B	S104 Front Lower Arm L	1	SW-2501794B
	S104 Front Lower Arm R	1	
	S104 Front Upper Arm L	1	
	S104 Front Upper Arm R	1	
	S104 Sway Bar Linkage	2	
2501795B	S104 Rear Lower Arm L	1	SW-2501795B
	S104 Rear Lower Arm R	1	
	S104 Sway Bar Linkage	2	
2501796A	S104 Gear Box Rear	2	SW-2501796A
	S104 Gear Box Front	2	
	S104 S-way Bar Holder	2	
2501797B	S104 Plastic Knuckle Pivot Ball Washer 2mm	2	SW-2501797B
	S104 Rear Hub Carrier	2	
	S104 Pivot Ball Cup	4	
	S104 Front Steering Knuckle (L&R)	2	
	S104 Plastic Steering Knuckle Plate (L&R)	2	
2501798A	S104 Rear Lower Arm Plate (0-3.0D)	1	SW-2501798A
	S104 Front Lower Arm Holder	1	
	S104 Front Bumper	1	
	S104 Rear Wing Stay	2	
	S104 Front Upper Arm Holder	1	
2501800	S104 Rear Wing Washer	2	SW-2501800
	S104 Rear Wing	1	

Parts No. List			
Part No.	Part Name	Q'ty in Use	Item No.
2501801B	S104 Setting Bellcrank A Upper	1	SW-2501801B
	S104 Setting Bellcrank B Lower	1	
	S104 Setting Bellcrank Left	1	
	S104 Steering Servo Mount	1	
	S104 Steering Servo Horn (For Futaba)	1	
	S104 Steering Servo Horn (For Sanwa & KO)	1	
	S104 Steering Servo Horn (For Hitec)	1	
	S104 Front Body Mount	1	
	S104 Rear Body Mount	1	
	S104 Ball End 5mm (Curve)	2	
2501806B	S104 Ball End 5mm	6	SW-2501806B
	S104 Ball End S	2	
	S104 5mm Steering Ball Cap (S)	2	
	S104 5mm Steering Ball Cap (M)	2	
2501807	S104 Plastic Shock Washer 3.3x6.5x1mm	4	SW-2501807
	S104 Plastic Shock Washer 3.3x6.5x2.5mm	4	
	S104 Plastic Shock Piston 1.3mmx5 holes	4	
	S104 Plastic Shock Piston 1.2mmx5 holes	4	
	S104 Shock Cap Insert	4	
	S104 Shock Spring Holder L	2	
	S104 Shock Spring Holder S	2	
	S104 Plastic Shock Cap Stud	4	
S104 Shock Ball End	4		
2501808	S104 R/F Insert (1 degree)	16	SW-2501808
	S104 R/F Insert (0 degree)	16	
	S104 Rear Lower Arm Done Stop Holder L	2	
	S104 Rear Lower Arm Done Stop Holder R	2	
	S104 Front Upper Arm Insert (2mm)	4	
	S104 Servo Savor Plastic Insert 5x8x2.5mm	4	
S104 Rear Hub Carrier Insert	8		
2501809	S104 Diff. Case	3	SW-210036
2501810	S104 Front Wheel (WH)	2	SW-2501810WH
2501811	S104 Rear Wheel (WH)	2	SW-2501811WH
2502212	14mm Plastic Wheel Hex Tool Hand Bar	1	SW-2502212
2502524	S104 EVO ESC Smart Protection Plastic Holder	1	SW-2502524
	S104 EVO Receiver Smart Protection Plastic Holder	1	
	S104 EVO Front Bumper	2	
	S104 EVO Plastic Center Diff/Slipper Clutch Holder	2	
2502527	S104 EVO Center Gear Diff 87T Spur Gear (48DP)	1	SW-2502527
250034	S104 EVO Velocity Body Shell	1	SW-250034
250035	S104 EVO Velocity Body Shell Side Guard Set (L/R)	1	SW-250035
330134	Shock Ball Stud	4	SW-330134
330155	Steering Servo Turnbuckle (M3x30mm)	4	SW-330155
330277	S104 Diff. Bevel Gear 18T	6	SW-330278
330278	S104 Diff. Bevel Gear 10T	12	SW-330278
330279	S104 Bevel Gear Shaft	6	SW-330279
330282	S104 Front/Rear Diff. Outdrive	6	SW-330282
330283	S104 Pin M2.0x10mm	12	SW-330283
330284	S104 Crown Gear 42T	2	SW-330284
330285	S104 Pin M2.0x14mm	4	SW-330285
330286	S104 Pinion Gear 17T	2	SW-330286
330292	S104 Front/Rear Lower Arm HingPin	4	SW-330292
330293	S104 Rear Hub Carrier Hing pin	2	SW-330293
330294	S104 CVD Axle	4	SW-330294
330295	S104 CVD Join	6	SW-330295
330296A	S104 PRO CVD Drive Shaft 78mm	4	SW-330296A
330298A	S104 Wheel Nut 14mm (HC)	4	SW-330298A
330304A	S104 Aluminum Shock Spring Adjust Nut (BK)	4	SW-330304A
330305	S104 Shock Washer 3.3x6.5x1mm	4	SW-210065
330312A	S104 Aluminum Shock Cap Stud	2	SW-330312A
330316A	S104 Aluminum Knuckle Pivot Ball Washer 2mm (GM)	2	SW-330316A
330314	S104 Steering Knuckle Pivot Ball Turnbuckle	4	SW-330314

## Parts No. List

Part No.	Part Name	Q'ty in Use	Item No.
330315	Sway Bar Linkage Ball Stud	4	SW-330315
330327	S104 Servo Saver Shaft	2	SW-330327
330328	S104 Servo Saver Post	1	SW-330328
330329	S104 Servo Saver Nut	1	SW-330329
330331	S104 Steering Linkage 5mm Ball Stud (L4.1mm)	2	SW-330331
330332	S104 Front Upper Arm Arm HingPin	2	SW-330332
330338	S104 Aluminum Battery Holder Nut	1	SW-330338
330342A	S104 Aluminum Front Upper Arm Holder (BK)	1	SW-330342A
330347A	S104 Pro-composite Carbon Steering Knuckle Plate (L)	1	SW-330347A
330348A	S104 Pro-composite Carbon Steering Knuckle Plate (R)	1	SW-330348A
330409	S104 Motor Gear 19T	1	SW-330409
330473	S104 EVO Battery Case Support	2	SW-330473
330476	S104 EVO Front Pro-composite Carbon Shock Tower	1	SW-330476
330477	S104 EVO Rear Pro-composite Carbon Shock Tower	1	SW-330477
330469A	S104 +1mm Wide Wheel Hub 14mm(HC)	4	SW-330469A
330529	S104EVO/102 Shock Body (L)	2	SW-330529
330530	S104EVO/102 Shock Body (S)	2	SW-330530
330531	S104EVO/102 Shock Shaft(L)	2	SW-330531
330532	S104EVO/102 Shock Shaft(S)	2	SW-330532
330544	S102 Shoick Seal Cover (SP)	4	SW-330544
330545	S102 Shock Seal Washer(3.3X6.5X2.0(SP)	8	SW-210065
330546	S102 Shock Cap (SP)	4	SW-330546
330547	S104EVO/S102 Shock Piston(1.5mmX2 Holes)	4	SW-330547
330594	S104 EVO F.C.S.S. 7075 Main Chassis	1	SW-330594
330595	S104 EVO Rear Lower Arm Holder for FCSS chassis	1	SW-330595
330596	S104 EVO Aluminum Rear Lower Arm Plate For FCSS Chassis (0-3.0D)	1	SW-330596
330597	S104 EVO Rear Longer Aluminum Shock Cap Stud	2	SW-330597
330598	S104 EVO Front Lower Arm Holder for FCSS chassis	1	SW-330598
330599	S104 EVO Pro-composite Carbon Center Support (Front)	1	SW-330599
330600	S104 EVO Aluminum Steering Bellcrank A Upper	1	SW-330600
330601	S104 EVO Servo Saver Steering Plate	1	SW-330601
330602	S104 EVO Aluminum Center Motor Mount (Bottom)	1	SW-330602
330603	S104 EVO Aluminum Motor Adjust Mount	1	SW-330603
330604	S104 EVO Aluminum Center Motor Mount Cover	1	SW-330604
330605	S104 EVO Aluminum Center Diff/Slipper Clutch Mount	1	SW-330605
330606	S104 EVO Front Lower Suspension Plate	1	SW-330606
330607	S104 EVO Aluminum Rear Center Support Holder	1	SW-330607
330609	2015 S104 EVO Pro-composite Carbon Center Support (Rear)	1	SW-330609
330610	S104 EVO Pro-composite Carbon Center Diff/Slipper Clutch Cover	1	SW-330610
330611	2015 S104 EVO Pro-composite Carbon Battery Case	2	SW-330611
330612	S104 EVO Aluminum Servo Holder	1	SW-330612
330613	S104 EVO Aluminum Servo Post	1	SW-330613
330614	S104 EVO Pro-composite Carbon Servo Linkage Plate	1	SW-330614
330615	S104 EVO Pro-composite Carbon Chassis Brace	1	SW-330615
330616	S104 EVO Rear Center Drive Shaft 113mm	1	SW-330616
330617	S104 EVO Front Center Drive Shaft 80mm	1	SW-330617
330618	2015 S104 EVO Shorty Pack Pro-composite Carbon Battery Holder	1	SW-330618
330643	S104 EVO Steering Linkage 5mm Ball Stud (L7mm)	8	SW-330643
400002	O-ring S5	6	SW-400002
400008	S104 O-ring for Pinion Gear 7.65x1.2mm	2	SW-400008
400013	S104 Shock Seal O-ring 2x2.7mm	6	X
400014	S104 Aluminum Shock Spring Adjust Nut O-Ring 1.5x13.5mm	4	SW-400014
400018A	S104 Shock Seal O-ring 3x6.6mm	8	SW-210065
410047	S102 Shock Cap O-Ring (SP)	4	SW-410047
410049	1/10 Shock Seal Cap O-ring (8*10*1)	4	SW-410049
420010	Antenna Cup	1	SW-200193
510049	S104 EK1 EVO Body Window Mask	1	SW-250034
510050	S104 EK1 EVO Body Decal Sheet	1	SW-510050
610012	S104 Diff. Gasket (0.4T)	3	SW-610012

## Spare Part List

Item No.	Part Name
SW-101011	M2.6x6xT0.5mm
SW-101012	M3x6xT0.5mm
SW-101020A	S350 Sries 3mm Countersunk Washers (GM)
SW-101023	Shim 10x12x0.1mm
SW-101024	Shim 10x12x0.2mm
SW-101025	Shim 3.5x10x0.1mm
SW-103001	M3 Nut Lock
SW-103003A	Flange M3 Nut Lock (GM)
SW-104004	M3x3mm Set Screw
SW-104005	Set Screw M3x4
SW-104008	M4x4mm Set Screw
SW-104009	M3x16mm Set Screw
SW-105004	M2.6x6mm Cap Screw
SW-106001	M3x8mm Hex Soket OH/TP Screw
SW-106002	M3x10mm Hex Soket OH/TP Screw
SW-106005	M3x15mm Hex Soket OH/TP Screw
SW-106008	M3x12mm Hex Soket OH/TP Screw
SW-106010	M3x6mm Hex Soket OH/TP Screw
SW-106014	M2x6mm Hex Soket OH/TP Screw
SW-106015	M3x5mm Hex Soket OH/TP Screw
SW-106018	M3x3mm Hex Soket OH/TP Screw
SW-108001	M3x12mm FH/ST HEX Screw
SW-108003	M3x10mm FH/ST HEX Screw
SW-108006	M3x8mm FH/ST HEX Screw
SW-108007	M3x6mm FH/ST HEX Screw
SW-108017	M2.6x10mm FH/ST HEX Screw
SW-108018	M3x30mm FH/ST HEX Screw
SW-108020	M2.0x4mm FH/ST HEX Screw
SW-115055	S104 Sway Bar 1.3mm
SW-115056	S104 Sway Bar 1.5mm
SW-115062	1/10 Body Clip
SW-115090	S104EVO/S102 Front Shock Spring(1.3P5.5)
SW-115091	S104EVO/S102 Rear Shock Spring(1.2Px6.0)
SW-115131	S104 EVO Servo Saver Spring(H)
SW-116013	Ball Bearing 10x15x4mm
SW-116017	Ball Bearing 6x12x4mm
SW-117003	Flange Ball Bearing 3x6x2.5mm (2pc)
SW-117004	Bushing 5x8x2.5mm
SW-200193	Antenna Tube
SW-210036	S104 Diff. Case Set
SW-210065	S104 EVO/S102 series Pro Shock Seal Kit
SW-250034	SWORKz S104 EVO Velocity Body Shell Set
SW-250035	SWORKz S104 EVO Velocity Body Shell Side Guard Set
SW-2501794B	S104 EVO Front Up/Lower Arm Set
SW-2501795B	S104 EVO Rear Lower Arm Set
SW-2501796A	S104EVO Gear Box Set (F&R)
SW-2501797B	S104/EVO Front Steering Knuckle andRear Hub Carrier Set
SW-2501798A	S104 EVO Wing Stay Set with Bumper and Arm Holder
SW-2501800	S104 Rear Wing Set
SW-2501801B	S104 EVO Settring Bellcrank Set with Servo Horn Set
SW-2501806B	S104 EVO Plastic Ball End Set
SW-2501807	S104 Shock Spring Holder with Ball End Plastic Parts
SW-2501808	S104 Plastic Insert Set
SW-2501810WH	S104 Front Wheel (WH)
SW-2501811WH	S104 Rear Wheel (WH)
SW-2502212	14mm Plastic Wheel Hex Tool Hand Bar
SW-2502524	S104 EVO Plastic Bumper Accessories Set
SW-2502527	S104 EVO Center Gear Diff 87T Spur Gear (48DP)
SW-330134	Shock Ball Stud 6mmxL6.7
SW-330155	Steering Servo Turnbuckle (M3x30mm)
SW-330278	S104 Diff. Bevel Gear Set
SW-330279	S104 Bevel Gear Shaft
SW-330282	S104 Front/Rear Diff. Outdrive
SW-330283	S104 Pin M2.0x10mm
SW-330284	S104 Crown Gear 42T

## Spare Part List

Item No.	Part Name
SW-330285	S104 Pin M2.0x14mm
SW-330286	S104 Pinion Gear 17T
SW-330292	S104 Front/Rear Lower Arm HingPin (2pc)
SW-330293	S104 Rear Hub Carrier Hing pin (2pc)
SW-330294	S104 CVD Axle (2pc)
SW-330295	S104 CVD Join (2pc)
SW-330296A	S104 PRO CVD Drive Shaft 78mm
SW-330298A	S104 Wheel Nut 14mm (HC)
SW-330304A	S104 Aluminum Shock Spring Adjust Nut (BK)
SW-330312A	S104 Aluminum Shock Cap Stud
SW-330314	S104 Steering Knuckle Pivot Ball Turnbuckle (4pc)
SW-330315	Sway Bar Linkage Ball Stud (4pc)
SW-330316A	S104 Aluminum Knuckle Pivot Ball Washer 2mm (GM)
SW-330327	S104 Servo Saver Shaft
SW-330328	S104 Servo Saver Post
SW-330329	S104 Servo Saver Nut
SW-330330	S104 Servo Saver Steering Plate
SW-330331	S104 Steering Linkage Ball Stud 5mm (4pc)
SW-330332	S104 Front Upper Arm Arm HingPin (2pc)
SW-330338	S104 Aluminum Battery Holder Nut
SW-330342A	S104 Aluminum Front Upper Arm Holder (BK)
SW-330347A	S104 Pro-composite Carbon Steering Knuckle Plate (L)
SW-330348A	S104 Pro-composite Carbon Steering Knuckle Plate (R)
SW-330409	S104 Motor Gear 19T
SW-330469A	S104 +1mm Wide Wheel Hub 14mm(HC)
SW-330473	S104 EVO Battery Case Support
SW-330476	S104 EVO Front Pro-composite Carbon Shock Tower
SW-330477	S104 EVO Rear Pro-composite Carbon Shock Tower
SW-330529	S104EVO/102 Shock Body (L)
SW-330530	S104EVO/102 Shock Body (S)
SW-330531	S104EVO/102 Shock Shaft(L)
SW-330532	S104EVO/102 Shock Shaft(S)
SW-330544	S102 Shoick Seal Cover (SP)
SW-330546	S102 Shock Cap (SP)
SW-330547	S104EVO/S102 Shock Piston(1.5mmX2 Holes)
SW-330594	S104 EVO F.C.S.S. 7075 Main Chassis
SW-330595	S104 EVO Rear Lower Arm Holder for FCSS chassis
SW-330596	S104 EVO Aluminum Rear Lower Arm Plate For FCSS Chassis (0-3.0D)
SW-330597	S104 EVO Rear Longer Aluminum Shock Cap Stud
SW-330598	S104 EVO Front Lower Arm Holder for FCSS chassis
SW-330599	S104 EVO Pro-composite Carbon Center Support (Front)
SW-330600	S104 EVO Aluminum Steering Bellcrank A Upper
SW-330601	S104 EVO Servo Saver Steering Plate
SW-330602	S104 EVO Aluminum Center Motor Mount (Bottom)
SW-330603	S104 EVO Aluminum Motor Adjust Mount
SW-330604	S104 EVO Aluminum Center Motor Mount Cover
SW-330605	S104 EVO Aluminum Center Diff/Slipper Clutch Mount
SW-330606	S104 EVO Front Lower Suspension Plate
SW-330607	S104 EVO Aluminum Rear Center Support Holder
SW-330609	2015 S104 EVO Pro-composite Carbon Center Support (Rear)
SW-330610	S104 EVO Pro-composite Carbon Center Diff/Slipper Clutch Cover
SW-330611	2015 S104 EVO Pro-composite Carbon Battery Case
SW-330612	S104 EVO Aluminum Servo Holder
SW-330613	S104 EVO Aluminum Servo Post
SW-330614	S104 EVO Pro-composite Carbon Servo Linkage Plate
SW-330615	S104 EVO Pro-composite Carbon Chassis Brace
SW-330616	S104 EVO Rear Center Drive Shaft 113mm
SW-330617	S104 EVO Front Center Drive Shaft 80mm
SW-330618	2015 S104 EVO Shorty Pack Pro-composite Carbon Battery Holder
SW-330643	S104 EVO Steering Linkage 5mm Ball Stud (L7mm)
SW-400002	O-ring S5 4.8X1.5
SW-400008	S104 O-ring for Pinion Gear 7.65x1.2mm (2pc)
SW-400014	S104 Aluminum Shock Spring Adjust Nut O-Ring 1.5x13.5mm
SW-410047	S102 Shock Cap O-Ring (SP)
SW-410049	1/10 Shock Seal Cap O-ring (8*10*1)



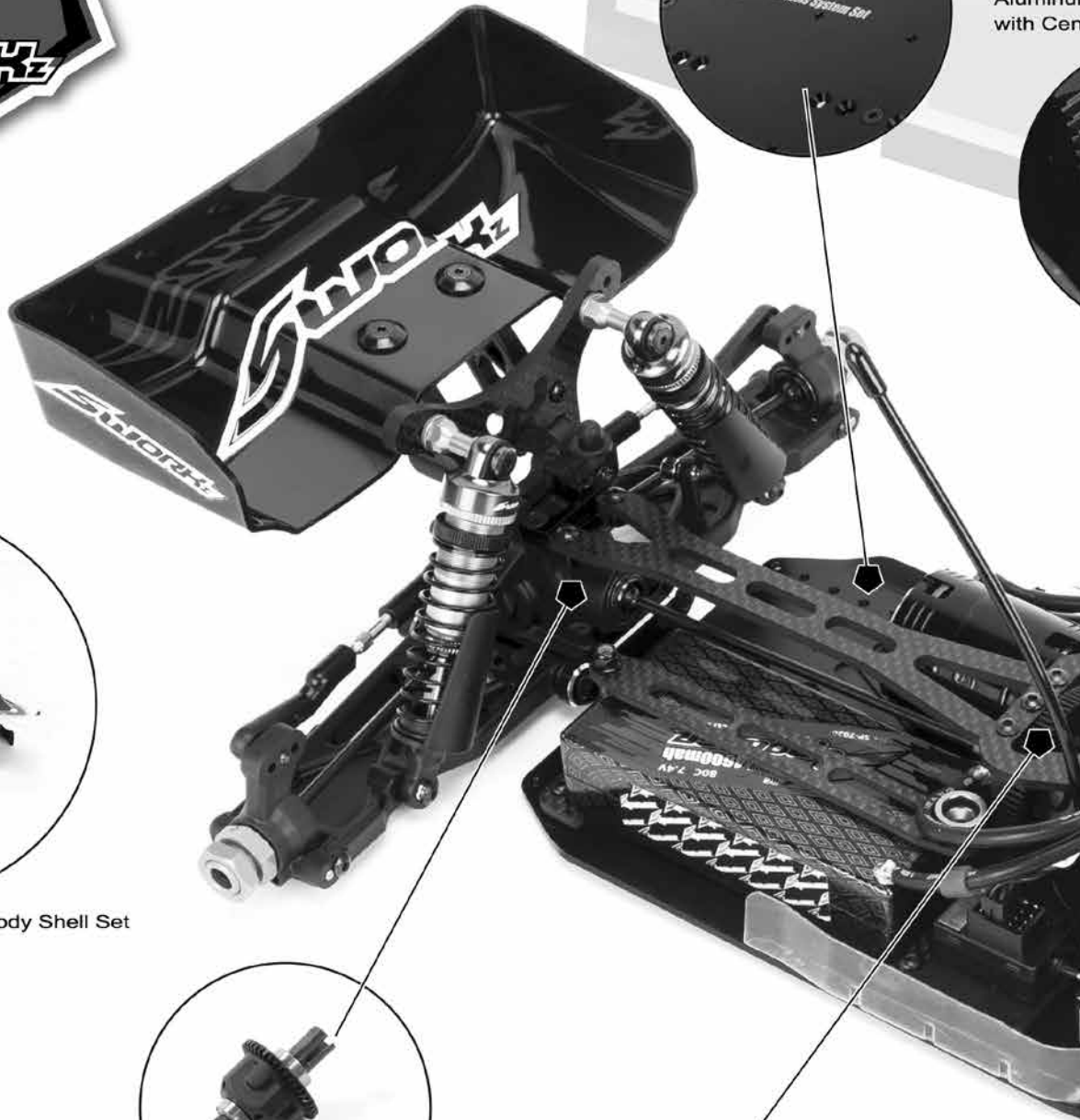
## Spare Part List

Item No.	Part Name
SW-510050	S104 EVO Velocity Body Decal Sheet
SW-610012	S104 Diff. Gasket (0.4T) (2pc)
SW-610013	S104 Center Slipper Clutch Pad (2pc)

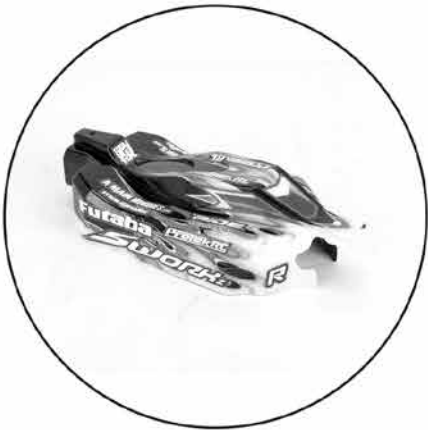
## Option Part List

Item No.	Part Name
SW-2501800AFY	S104 Rear Wing Set (W/O Holes) (FY)
SW-2501800AOG	S104 Rear Wing Set (W/O Holes) (OR)
SW-2501800AWH	S104 Rear Wing Set (W/O Holes) (WH)
SW-2501956	S104 Front Wheel (FY) (2pc)
SW-2501957	S104 Rear Wheel (FY) (2pc)
SW-330324	S104 Motor Gear 20T
SW-330335	S104 Aluminum Rear Wing Washer
SW-330338	S104 Aluminum Battery Holder Nut (4pc)
SW-330342	S104 Aluminum Front Upper Arm Holder
SW-330410	S104 Motor Gear 21T
SW-330411	S104 Motor Gear 22T
SW-330412	S104 Motor Gear 23T
SW-330413	S104 Motor Gear 24T
SW-330418	S104 Carbon Fiber Battery Holder Set for Saddle Pack
SW-330442	S104 Aluminum Pivot Ball Cup Holder Set (4pc)
SW-330443	S104 Pivot Ball Cup Insert 3.7mm (4pc)
SW-330468	SWORKz S104 +2mm Wide Wheel Hub 14mm
SW-330469	SWORKz S104 +1mm Wide Wheel Hub 14mm
SW-250042	SWORKz 1/10 sonic lexan wing 6.5"
SW-250042BK	SWORKz 1/10 sonic lexan wing 6.5" (BK)
SW-250042WH	SWORKz 1/10 sonic lexan wing 6.5" (WH)
SW-330509	S104 Series Lightened Wheel Hub(+2mm)
SW-330510	S104 Series Lightened Wheel Hub(+1mm)
SW-330511	S104 Series Rear Aluminum Wheel Hub Carrier
SW-330512	S104 Series Pro Wheel Nut (GM)
SW-210068	S104 EVO Series Center Slipper Clutch Set

SWORKz F.C.S.S. with B.H.C. Chassis Design.



Aluminum  
with Cen



SWORKz S104 EVO Velocity Body Shell Set



Standard with SWORKz X-System  
transmission gear system.



New Adjustable Steering  
with New Bell Crank S

New Centre Diff System.

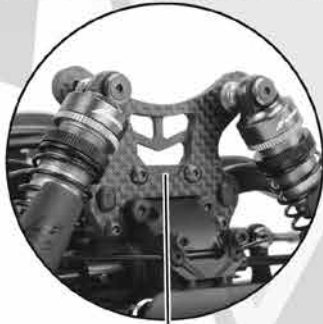
Using our 1/8th buggy materials we produced the S104 EVO series. The S104 EVO is very s  
a good balanced car. The SWORKz S104 EVO 4WD buggy with its FCSS chassis comes st  
with the SWORKz X-system transmission that provides excellent car acceleration. Equipped w  
Big Bore Shocks and 3 oil filled gear differentials, the S104 EVO delivers good traction and l  
any off road track. The pivot ball steering system gives the driver a good feel of the buggy.



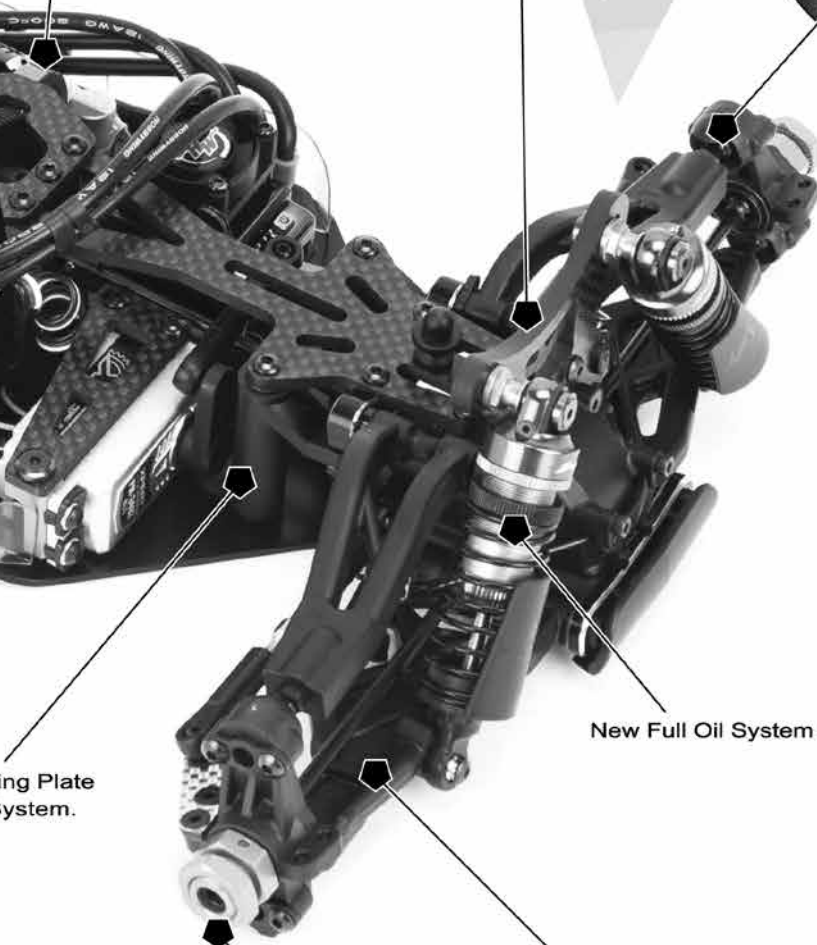
Easy Fit for Motor Holder  
Center Diff. Mount.



New Strengthen Carbon Fiber shock towers  
with New Geometry Shock Position.



Pivot Ball Steering System.



ing Plate  
system.

New Full Oil System Big Bore Shocks.

New Strengthen Material arms  
with new suspension geometry.

14mm Hex Wheel Hub system.

strong and  
standard  
with New  
balance on

# S104END

# SWORKZ



**SPEEDMASTER HOBBY CO., LTD.**  
TEL: +886-3-538-7638  
FAX: +886-3-538-7328  
No.42, Ruiguang St., Xiangshan Dist.,  
Hsinchu City 300, Taiwan (R.O.C.)  
[www.sworkz.com](http://www.sworkz.com)

S104EVO