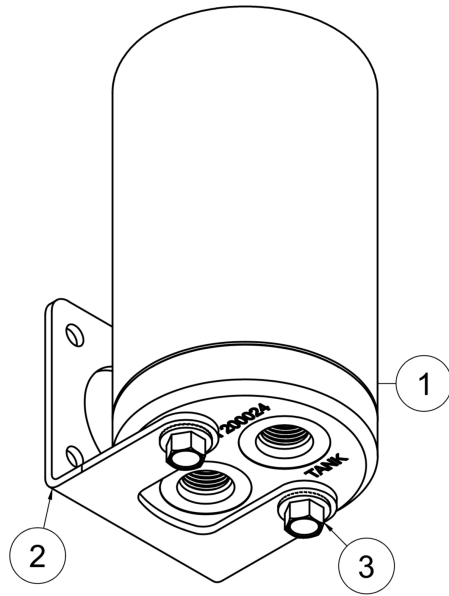




# INSTALLATION INSTRUCTION, IIMUCH® VSR, P/N 200024



No.	Description
1	VSR, (PN 200024)
2	Bracket, 304 SS
3	Screw, Hex Head 1/4-20, 5/8", 18-8 SS
4	Filter, sintered bronze, -6 ORB (PN 100026). Not shown
6	Decal, thermometer. Figure 2 (page 2)



## **Warning: Hazardous situations that, if not avoided, could result in death or serious injury**

1. The II MUCH VSR does NOT provide rollover protection. Rollover protection should be installed on hose between fuel tank and the "TANK" port on the bottom of the VSR per manufacturer's direction.
2. Working with fuel is dangerous. If fuel is handled improperly it can lead to fires and death. It is imperative above anything else that all appropriate safety measures be used to control the fuel and any ignition sources, including static electricity, heat, sparks, and any other sources. Fuel lines and connections must be used in accordance with manufacturer's specifications and routed away from any potential sources of heat, ignition, and protected from mechanical damage. If you are unsure about your work or safety, stop immediately and consult with a qualified automotive technician and/or safety official.
3. Install in coolest location practical away from ignition sources. The decal (figure 1) on the side of the vent will indicate if it has exceeded operating temperature. Call 888.216.6033 if this happens.

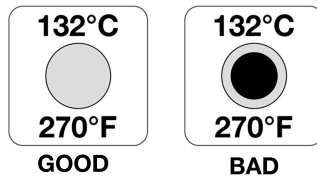


Figure 1

4. NOT compatible with nitromethane.
5. All methods, materials, and coatings in the VSR were chosen for compatibility with E85 and flex fuels, but under certain conditions these fuels become highly corrosive and as such we DO NOT warranty or guarantee products for use with E85 or fuels with more than 10% alcohol or other additives.
6. VSR is factory sealed and pressure tested, any attempt to open it will damage the seal.
7. The fuel tank must have a vapor dome. A tank with a vapor dome has approximately 10% of its volume capacity left unfilled after a maximum fill so fuel vapors can be routed from this volume to the VSR.

# INSTALLATION INSTRUCTION, IIMUCH® VSR, P/N 200024

8. If the fuel tank does not have a vapor dome, properly located vent ports(s), or the application, such as off-road or road racing, could cause the fuel tank vent port to be submerged, relocation or additional ports may be required. If the application has two or more vent ports they can be joined with a T fitting and a single hose routed to the VSR. **Failure to address this could result in liquid fuel bypassing through the VSR, pouring out on the ground creating a fire hazard.**
9. Any modifications of the fuel tank should be accomplished by a qualified mechanic who understands the inherent risks. If you have any questions its imperative you call II MUCH for Tech support.
10. Use only PTFE conductive core hose or steel hard lines, as all other known options may outgas significant fuel vapor, degrade internally, or develop leaks. SAE 30R9 is not sufficient.
11. For installations where the VSR is mounted inside a vehicle such as the trunk, its imperative to route a hose from the “FILTER” port to the outside of the vehicle. Failure to do so WILL result in fumes and possibly liquid fuel entering this passenger compartment which could cause a fire.
12. If the fuel in the tank is above ambient air temperature, allow to cool before parking in a confined space.
13. FiTECH users – DO NOT connect to the “Vent” port of the Command Center.

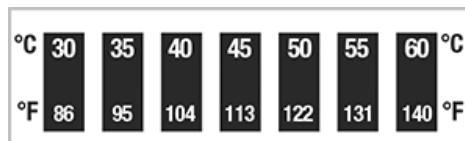
## BACKGROUND

The system prevents or eliminates fuel or lubricant discharges from vent hoses or vented fuel tank caps. It dramatically reduces or eliminates fuel and differential fluid odors. II MUCH vent products should not be used to replace or modify factory installed evaporative emissions systems.

## INSTALLATION

1. Figure 3 (below) is a typical when a VSR is mounted in the trunk of vehicle with a fuel tank located under the trunk floor. If the fuel tank vent port is inside the trunk, one bulkhead fitting is used to route outside of the vehicle. If the VSR is mounted outside of the vehicle, the filter can be threaded directly into the “FILTER” port on the VSR. VSR MUST BE MOUNTED VERTICALLY.
2. VSR must be mounted high enough to prevent surges of fuel from getting trapped in the hose(s) between the VSR and the fuel tank.
3. Route a hose from the fuel tank vent port to a bulkhead fitting in the floor. Next install an -6 o-ring boss (ORB) fitting into the “TANK” port on the VSR – torque to 13 ft. lbs.
4. Install another ORB adapter into the “FILTER” port of the VSR. Route a hose to the bulkhead on the floor with the filter installed in it.
5. The temperature indicating label installed on the side of the unit should be monitored to ensure the installed location is not too close to a heat source which may degrade performance or safety.
6. Inspect for leaks before and after use.
7. If fuel comes out of the filter at any time there is a problem with the location or quantity of vent ports on the tank. Immediately cease use and call II Much Tech Support.
8. Install the thermometer decal (figure 2) to the underside of the fuel tank. If it indicates fuel is 131°F or higher, fuel odor may be a problem in confined spaces as well as fuel boiling, and pump cavitation.

Figure 2



# INSTALLATION INSTRUCTION, IIMUCH® VSR, P/N 200024

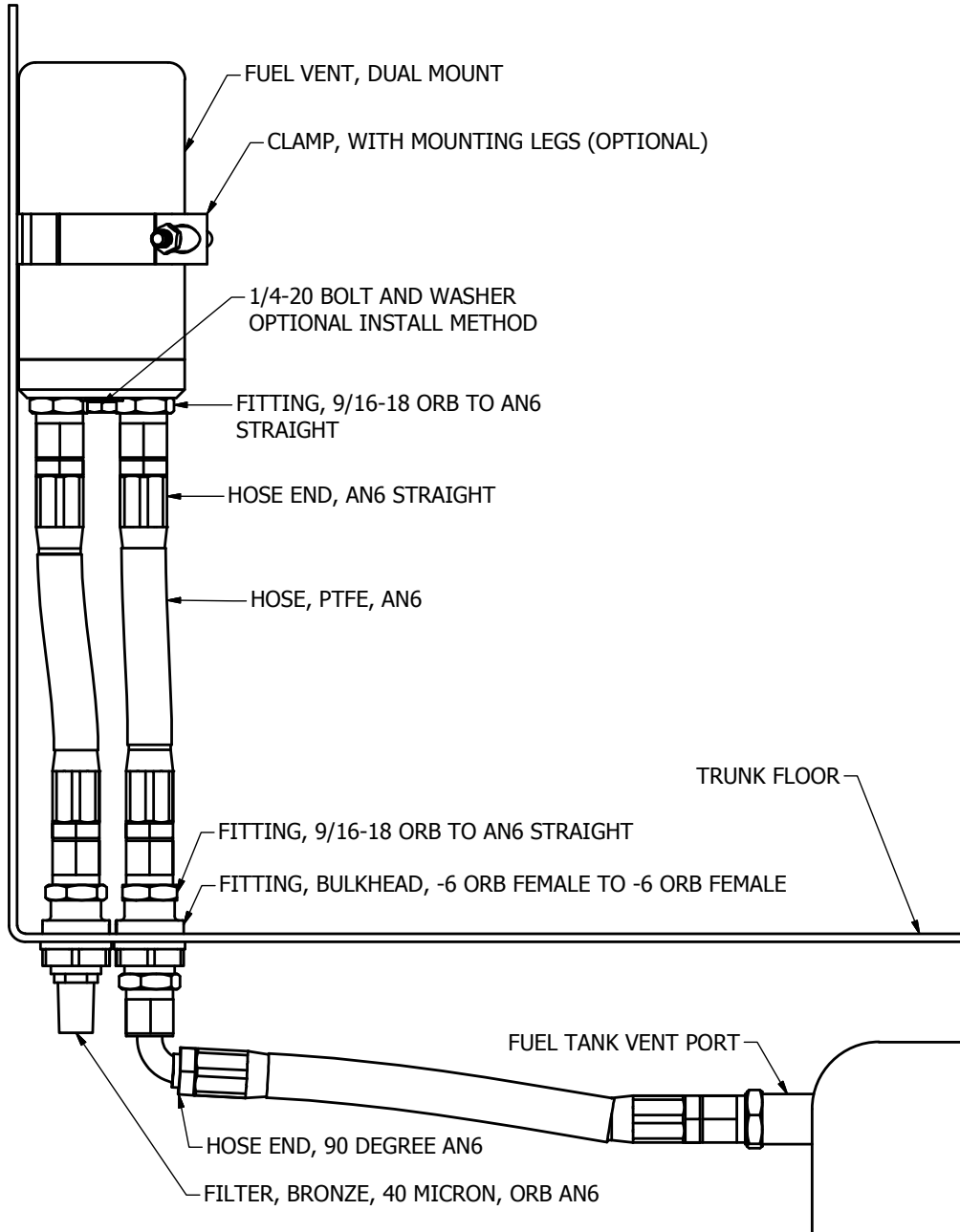


Figure 3

# INSTALLATION INSTRUCTION, IIMUCH® VSR, P/N 200024

## TROUBLESHOOTING

PROBLEM	CAUSE	SOLUTION
Fuel pouring out filter of VSR “FILTER” port.	No vapor dome in fuel tank. Poorly located vent port(s). Insufficient vent port(s). Tank over-filled.	Cease use of product. Call tank manufacturer or II MUCH Tech line 888-216-6033
Fuel Odor Still present after install	Wrong fuel hose Vented cap still in use Fuel leak Fuel too hot	Switch to steel hard lines or PTFE Conductive Core. Install sealed fuel tank cap. Inspect, repair, or replace any leaking items in system. Reroute fuel lines, install heat shielding, and in very high volume return style systems a fuel pump controller may be needed.
Air rushing out of tank when cap removed.	Fuel is trapped in vent hose. Filter is dirty/clogged VSR mounting location too low. Improperly located vent port(s) on fuel tank.	Reroute vent hose allowing gravity to return liquid to tank. Relocate VSR high enough to allow gravity to return liquid back to tank. Remove filter and clean. Contact II MUCH Tech Line

## FREQUENTLY ASKED QUESTIONS

Q: Can the VSR be mounted at an angle or horizontally?

A: It can be mounted up to 10 degrees from vertical, but the “TANK” side of the vent should be at the lowest point to prevent surges of fuel from being trapped in the VSR.

Q: Does the VSR require maintenance.

A: No, its factory sealed and attempts to open it could cause a fuel leak.

Q: Does the VSR contain active carbon or charcoal?

A: No, and its not designed to delete, modify, or replace emissions devices

Q: Can I use one VSR for both my fuel tank and differential?

A: No, this would cause fuel and differential lubricant to mix.

## Warranty

This products is warranted against defects in material and workmanship for one-year from the date of purchase. If, within one year, you find this product to be defective, return the product to us and we will – at our discretion – either repair or replace it at no cost to you. This warranty is your sole remedy in the event that the product fails in any way. We hereby also disclaim all liability for incidental or consequential damages arising from the use of this product. We DO NOT warranty or guarantee the products for use with E85 or gasoline with more than 10% alcohol or other additives.

Misuse, abuse, or any failure to follow the instructions provided with the product, will result in the voiding of this warranty.

**Call 888-216-6033 for any warranty or technical related issues.**