

 MASTER FX

FORCE8

DYNAMIC FX FAN



USER MANUAL

IMPORTANT: READ AND SAVE THESE INSTRUCTIONS

INTRODUCTION

Thank you for your purchase! Welcome to the Force 8 Dynamic FX Fan. This comprehensive guide is essential for maximizing the performance and safety of your machine. Please read everything thoroughly to understand the operation, maintenance, and safety precautions involved.

INDEX

PAGE 1
• Safety

PAGE 2
• Unpacking
• Dimensions / Overview

PAGE 3
• Getting Started
• Settings

PAGE 3
• Rigging
• Attaching the Solstice
• Troubleshooting

PAGE 5
• Maintenance
• Warranty

SAFETY



Please read the following information very carefully before operating your machine. This article contains important details regarding set up, usage, and maintenance. Failure to abide by all warning labels and instructions may result in personal harm, machine malfunction, and a void in warranty.



Prior to connecting power to your Force 8, verify the machine's operating voltage matches your provided voltage. Failure to do so may cause internal damage and a void in warranty.



Operate only in a well ventilated area and never leave unattended. Please allow at least 12 inches of space around unit to prevent obstruction of airflow.



Keep away from moisture and flammables.



Do not place any objects near or in the fan blade area. This could cause serious injury due to contact with the moving blade. Keep the area around the fan clear to prevent accidents and ensure safe operation.



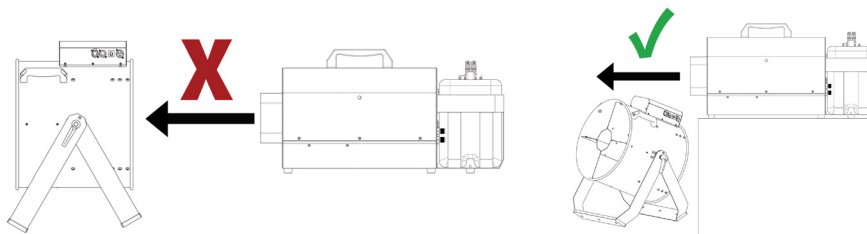
If your Force 8 is not working properly, promptly stop use and contact your Master FX dealer. Repair and service is to be done only by authorized technicians. Failure to comply will result in a voided warranty.



WARNING and CAUTION labels are key equipment parts. Do not remove, change or cover these labels. If the labels are not readable, contact help@masterfx.com



It is crucial to avoid placing atmospheric equipment such as haze, fog, or snow machines behind the Force 8 unit, as this may cause moisture buildup near electrical components and the fan motor, potentially leading to hazardous electrical failure and voiding warranty coverage. (see diagram below)



UNPACKING & INSPECTION

Upon receiving your Force 8 open the package and carefully remove contents to verify all components are accounted for and have been shipped and handled with care. If any parts are damaged or missing, notify your Master FX dealer.

Packing list includes:

- (1) Force 8 Dynamic FX Fan
- (1) Neutrik PowerCon TRUE1 Power Cable

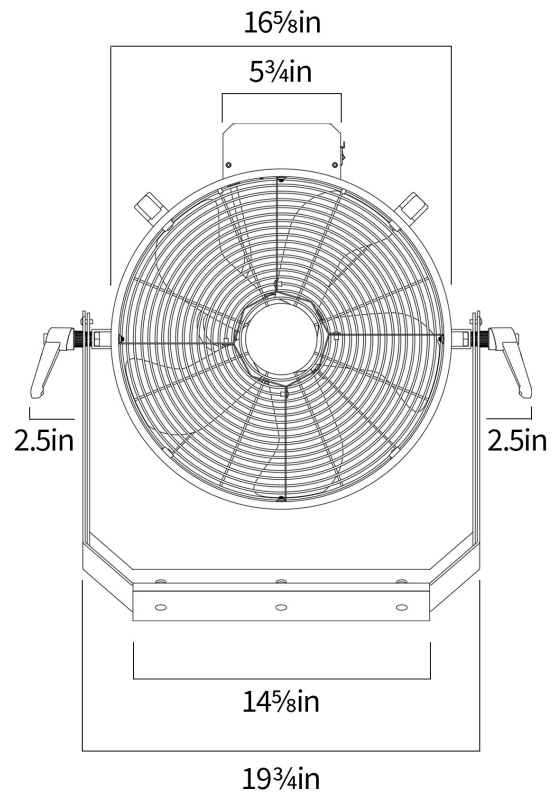
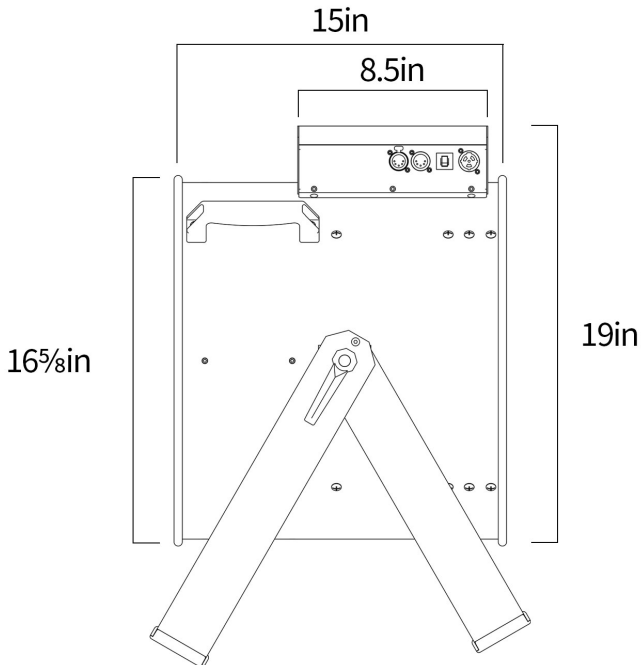
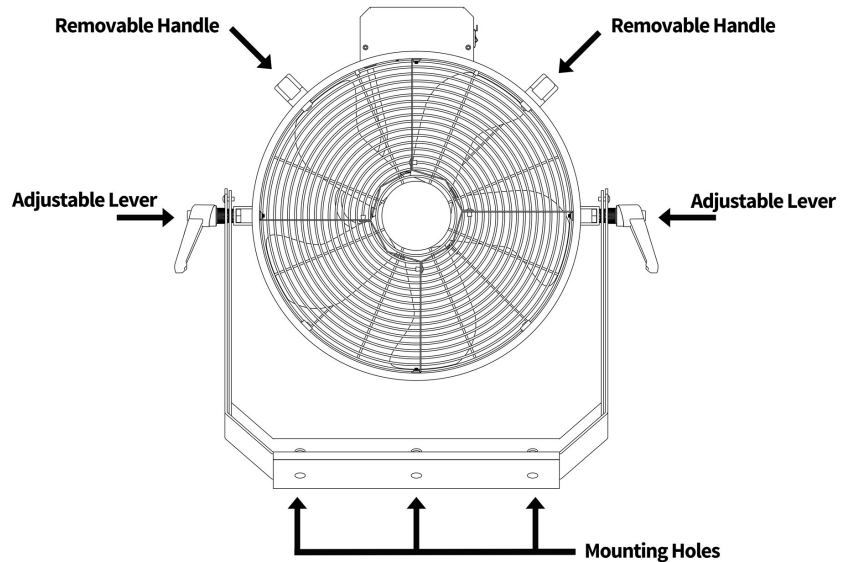
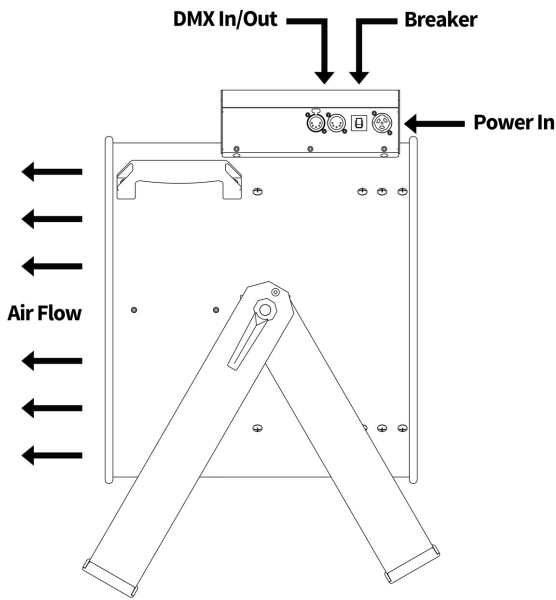
Optional Accessories:

- (1) Pair of hanging brackets

DIMENSIONS & OVERVIEW

Rated Voltage: 120vac
 Frequency: 50/60hz
 Power Consumption: 250W
 Breaker: 15A 250V
 Max Noise Level: 72db at 3ft

Ambient Temperature Range: -4°F – 104°F
 Air Flow: 3000CFM
 Fan Speed: 1550RPM
 Control Methods: Manual Control / DMX
 Weight: 53lbs



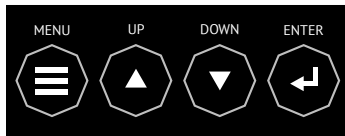
GETTING STARTED

1.) Getting started with your Force 8 Dynamic FX Fan is a breeze. Begin by placing the fan on the ground, ensuring it has at least 12 inches of space around it to optimize airflow. Utilize the adjustable levers to set the fan at your desired angle. Once you've found the perfect position, simply plug the machine into the appropriate power source to kickstart its performance.

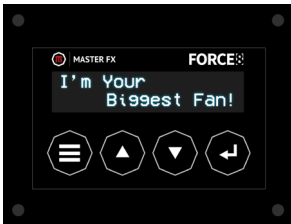
Conveniently located on the top of the fan, you'll find an OLED screen and buttons to control functions. Refer to the diagram below for a clear layout of the buttons and menu options.

For machine attachments and rigging directions, please see page 4.

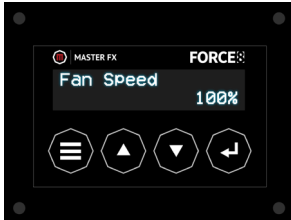
BUTTON LAYOUT



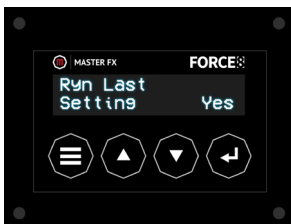
SETTINGS



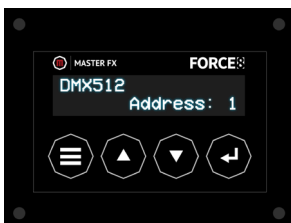
HOME SCREEN: Once your Force 8 is powered up and the screen reads "I'm Your Biggest Fan!" you are ready to go. Simply press the enter button to start and stop operation.



FAN SPEED: During manual operation, select your fan speed using the up and down arrows. Press enter to start and stop operation.

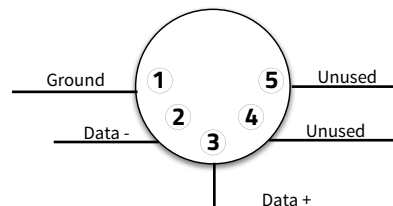


RUN LAST SETTING: Save your previous fan speed setting for quick set up.



DMX512: Select your desired DMX channel by using the arrow buttons, press enter to confirm. The Force 8 utilizes one channel (Fan Speed).

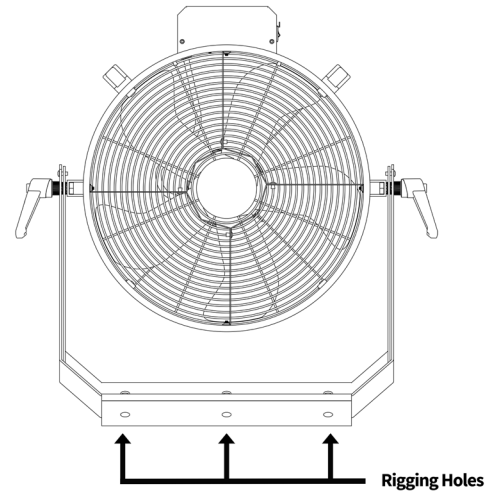
PIN LAYOUT:



Channel	Control	Value
1	Fan Speed	0-255

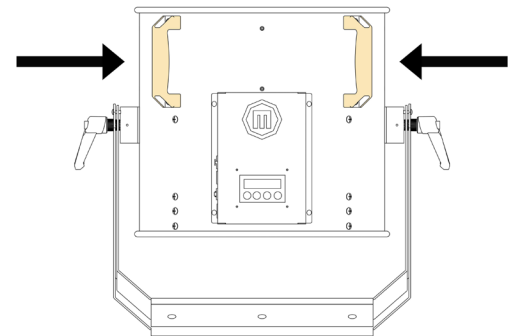
RIGGING

When rigging the Force 8 fan, it is strongly recommended to collapse the base of the unit and utilize two clamps inserted into the designated holes at the bottom. This method aids in evenly distributing the load and prevents the base from bending under pressure. Additionally, always incorporate a safety cable during mounting and ensure that all connections are securely fastened. Failure to adhere to these guidelines may result in equipment damage or personal injury. Please exercise caution and follow these recommendations for safe and effective rigging of the Force 8 fan.

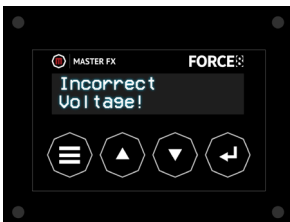


ATTACHING THE SOLSTICE SNOW MACHINE

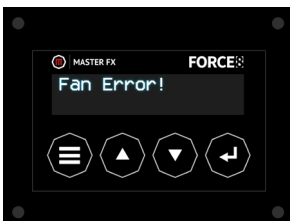
1. Begin by removing the handles (highlighted in yellow) using an allen key.
2. Next, attach the Solstice hanging bracket to the [Master FX universal mounting bracket](#).
3. Finally, fasten the mounting bracket to the Force 8 unit.



TROUBLESHOOTING



INCORRECT VOLTAGE: Verify the machine's operating voltage matches your provided voltage.



FAN ERROR: Please contact Master FX support at help@masterfx.com

MAINTENANCE

Regular maintenance of the Force 8 is essential for optimal performance and longevity. It's imperative to routinely clean the fan grates to prevent the accumulation of dust and debris, which can lead to restricted airflow and decreased efficiency. However, it's crucial to avoid using water during the cleaning process, as the machine is not water-resistant. Simply use a duster to remove any debris from the grates.

WARRANTY

**Please Visit [MasterFX.com/Warranty](https://www.masterfx.com/Warranty) to Register your machine. Master FX reserves the right to alter the following terms and conditions if contingencies develop which were not apparent at the time of sale.*

Master FX warrants the Force 8 Dynamic FX Fan to the original purchaser to be free from defects in materials and workmanship under normal use and service for a period of five (5) years from the date of purchase.

Scope of Warranty:

During the Warranty Period, Master FX will, at its sole discretion, repair or replace any defective parts or components of the Product, excluding external accessories. The service of the replacement or repair, as well as any necessary software updates, are covered under the warranty. However, it is important to note that any repair or replacement conducted by individuals other than certified Master FX technicians will void the warranty. The Customer shall bear the responsibility and cost of shipping the Product to the Master FX Service Center for assessment and repair. Return shipping costs from the Master FX Service Center to the Customer will be covered by Master FX. All repairs, replacements, and software updates must be carried out by authorized Master FX technicians only. Repairs and regular maintenance outside of the Extended Coverage Period will be at the expense of the owner, to be performed by Master FX or approved dealers at their discretion.

Return Authorization and Service:

To initiate a repair, the Customer must obtain a Return Authorization (RMA) number from Master FX by emailing info@masterfx.com or calling 877.578.6577. All packages must clearly display the RMA number on the exterior. Packages without a valid RMA number will not be accepted for service.

Exclusions:

This warranty does not cover defects or faults resulting from misuse, negligence, improper ventilation, accidental damage (such as dropping the machine), exposure to moisture, or failure to follow the guidelines laid out in the user manual. Any unauthorized tampering or modifications to the product will void the warranty.

Authorized Service Technicians:

All service and repairs must be performed by Master FX authorized technicians only.

Limitation of Liability:

Master FX shall not be liable for any delays in repair or service due to unforeseen circumstances such as fire, strikes, or other causes beyond our control.

WARRANTY CONTINUED

Disclaimer:

Insignificant deviations from regular production quality do not guarantee repair or replacement rights. By using the Product, the Customer agrees to abide by the terms and conditions outlined in this warranty disclaimer. Any claims under this warranty must be made within the applicable warranty period. This warranty is valid only for the original purchaser of the Product and is non-transferable.

For any inquiries or concerns regarding the warranty, please contact Master FX Customer Service.

email: info@masterfx.com

phone: 877-578-6577

Note: This warranty disclaimer is subject to change without prior notice.