



MantelMount®

MM340

MM540

MM700

Specifications And Install Guidelines with RB100 Recess Box



THE PULL-DOWN TV WALL MOUNT

No More Neck Pain, Eye-Strain, Headaches or TV Glare

MM340 with RB100 RECESS BOX

Max. Lowering Distance * 27"

Max. Mantel Depth † 15"

Swivel ± 30° or 60° One Way

Tilt 0°

TV Screen Size 44" TO 80"

Weight Capacity ‡ 20 - 90 LBS.

Vesa Compatibility Up to 600mm x 600mm

Mount Width 26"

RB100 Height 30.5"

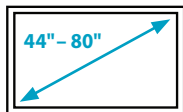
Mount Depth 1.75"

* Max. lowering distance can vary depending on installation configuration

‡ The total weight of the TV plus any sound bar added cannot exceed the top of range limit

BEFORE INSTALLATION

1 Verify TV and mount space meet these criteria:

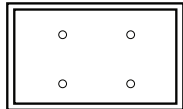


SCREEN SIZE
44" to 80"
(Diagonally)



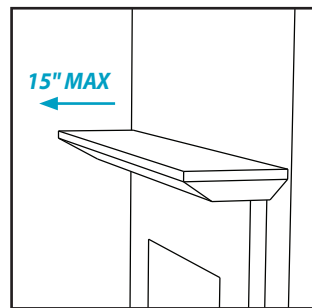
WEIGHT CAPACITY
20 to 90 LBS.
(Including Sound Bar)*

*MM340 requires accessory for sound bar, visit mantelmount.com.

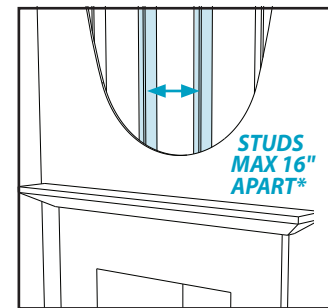


VESA COMPLIANT
Width: 200-600mm
Height: 200-600mm

MANTEL DEPTH
15" MAXIMUM



WOOD STUDS FOR MOUNTING
Studs Maximum 16" apart*;
Wall Covering Maximum 5/8"



2 Verify MantelMount will fit the wall space.

A. Use the reference diagram (right) and chart (below) to write down the following measurements (in inches):

Wall Space Height: _____ (Distance from mantel to ceiling/crown moulding.)

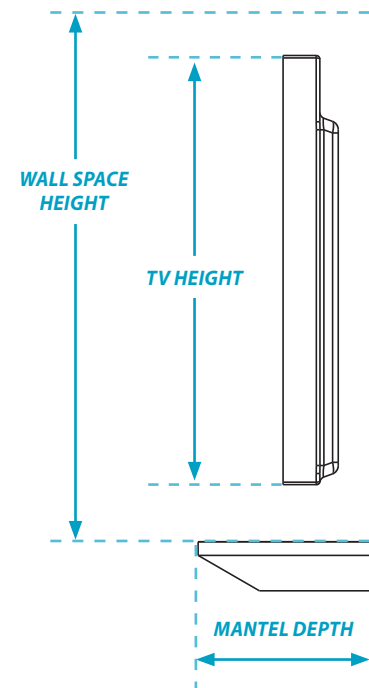
TV Height: _____ (Include sound bar height if placing below TV.)

Mantel Depth: _____ (Distance mantel extends away from the wall.)

Required Vertical Space: _____ (Calculation from chart below.)

B. If the Required Vertical Space is less than or equal to the Wall Space Height, then MantelMount will fit the wall space.

If Mantel Depth is:	Required Vertical Space is:
Less than 9"	TV height + 4"
9" - 11"	TV height + 5"
11" - 13"	TV height + 7"
13" - 15"	TV height + 10"



*Wider stud spacing will require the use of RBE10 Recess Box Extenders. Sold separately.

MM540 with RB100 RECESS BOX

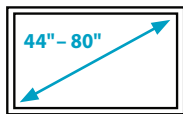
Max. Lowering Distance *	27	Weight Capacity †	20 - 90 LBS.
Max. Mantel Depth †	15	Vesa Compatibility	Up to 600mm x 600mm
Swivel	± 30° or 60° One Way	Mount Width	30"
Tilt	UP TO 9° (0° when in stowed position)	RB100 Height	30.5"
TV Screen Size	44" TO 80"	Mount Depth	1.75"

* Max. lowering distance can vary depending on installation configuration

†The total weight of the TV plus any sound bar added cannot exceed the top of range limit

BEFORE INSTALLATION

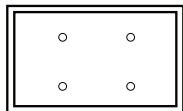
1 Verify TV and mount space meet these criteria:



SCREEN SIZE
44" to 80"
(Diagonally)

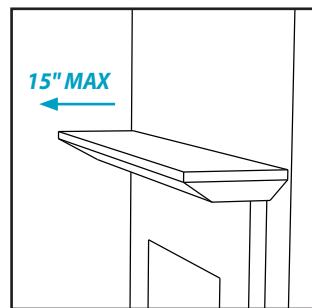


WEIGHT CAPACITY
20 to 90 LBS.
(Including Sound Bar)

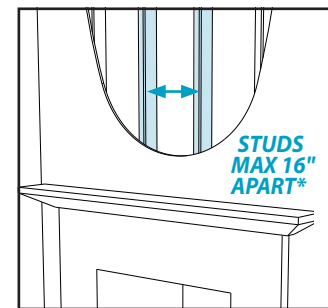


VESA COMPLIANT
Width: 200-600mm
Height: 200-600mm

MANTEL DEPTH
15" MAXIMUM



WOOD STUDS FOR MOUNTING
Studs Maximum 16" apart*;
Wall Covering Maximum 5/8"



2 Verify MantelMount will fit the wall space.

A. Use the reference diagram (right) and chart (below) to write down the following measurements (in inches):

Wall Space Height: _____ (Distance from mantel to ceiling/crown moulding.)

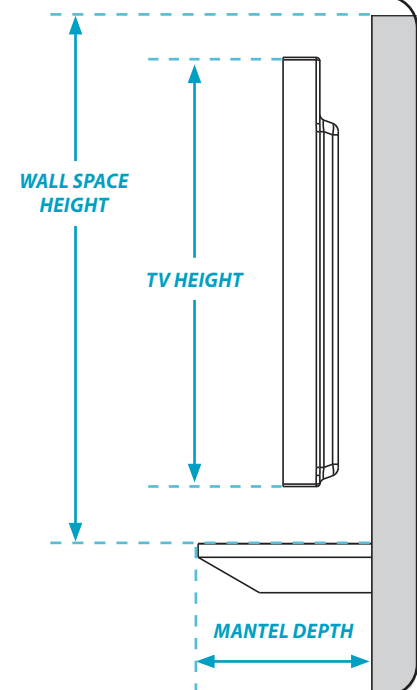
TV Height: _____ (Include sound bar height if placing below TV.)

Mantel Depth: _____ (Distance mantel extends away from the wall.)

Required Vertical Space: _____ (Calculation from chart below.)

B. If the Required Vertical Space is less than or equal to the Wall Space Height, then MantelMount will fit the wall space.

If Mantel Depth is:	Required Vertical Space is:
Less than 9"	TV height + 4"
9" - 11"	TV height + 5"
11" - 13"	TV height + 7"
13" - 15"	TV height + 10"



*Wider stud spacing will require the use of RBE10 Recess Box Extenders. Sold separately.

MM700 with RB100 RECESS BOX

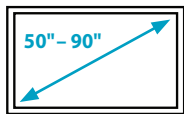
Max. Lowering Distance †	24"	Weight Capacity ‡	30 - 115 LBS.
Max. Mantel Depth †	12"	Vesa Compatibility	Up to 600mm x 600mm
Swivel	± 30° or 60° One Way	Mount Width	30"
Tilt	UP TO 9° (0° when in stowed position)	RB100 Height	30.5"
TV Screen Size	50" TO 90"	Mount Depth	1.75"

* Max. lowering distance can vary depending on installation configuration

† The total weight of the TV plus any sound bar added cannot exceed the top of range limit

BEFORE INSTALLATION

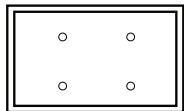
1 Verify TV and mount space meet these criteria:



SCREEN SIZE
50" to 90"
(Diagonally)

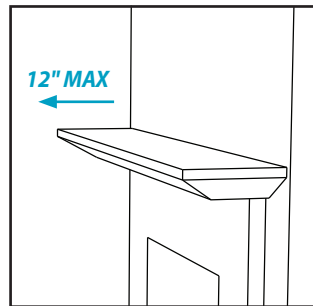


WEIGHT CAPACITY
30 to 115 LBS.
(Including Sound Bar)

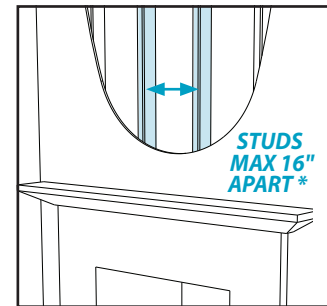


VESA COMPLIANT
Up to
600 X 600mm

MANTEL DEPTH
12" MAXIMUM



WOOD STUDS FOR MOUNTING
Studs Maximum 16" apart*;
Wall Covering Maximum 5/8"



2 Verify MantelMount will fit the wall space.

A. Use the reference diagram (right) and chart (below) to write down the following measurements (in inches):

Wall Space Height: _____ (Distance from mantel to ceiling/crown molding.)

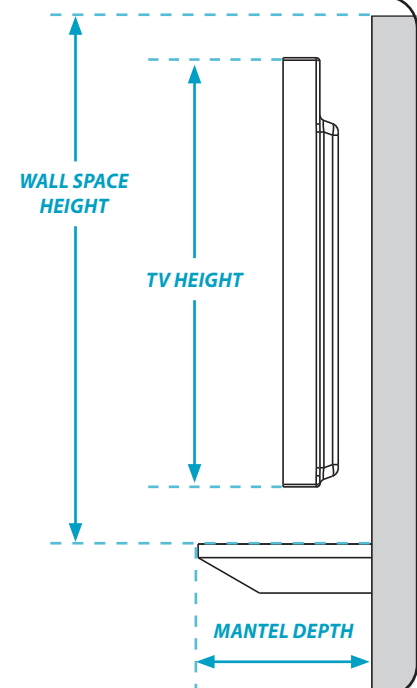
TV Height: _____ (Include sound bar height if placing below TV.)

Mantel Depth: _____ (Distance mantel extends away from the wall.)

Required Vertical Space: _____ (Calculation from chart below.)

B. If the Required Vertical Space is less than or equal to the Wall Space Height, then MantelMount will fit the wall space.

If Mantel Depth is:	Required Vertical Space is:
Less than 8"	TV height + 3"
8" - 10"	TV height + 5"
10" - 12"	TV height + 7"



*Wider stud spacing will require the use of RBE10 Recess Box Extenders. Sold separately.