




PLEASE READ THESE INSTRUCTIONS CAREFULLY AND KEEP FOR FUTURE REFERENCE! IF YOU DO NOT UNDERSTAND THE INSTRUCTIONS, OR DO NOT FEEL THAT YOU CAN FOLLOW THEM SAFELY, CONTACT A QUALIFIED CONTRACTOR. THE WARRANTY WILL BE HONOURED IF ACCOMPANIED BY AN ORIGINAL SALES RECEIPT, AND ONLY IF THE INSTRUCTIONS HAVE BEEN FOLLOWED EXACTLY.

Before beginning, please check to ensure you have all the parts listed below.

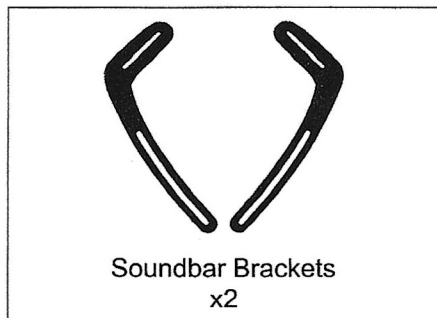
- The SBXL consists of two universal soundbar brackets that are compatible with most flat panel TV's and soundbar models.
- A second person will be required to assist with the installation.
- Do not exceed maximum load 20 lbs.

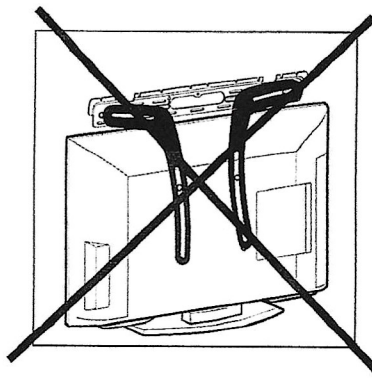
PARTS LIST

*For this assembly you will also use the mounting hardware provided with your wall bracket to attach your Soundbar Brackets to your mounting solution.

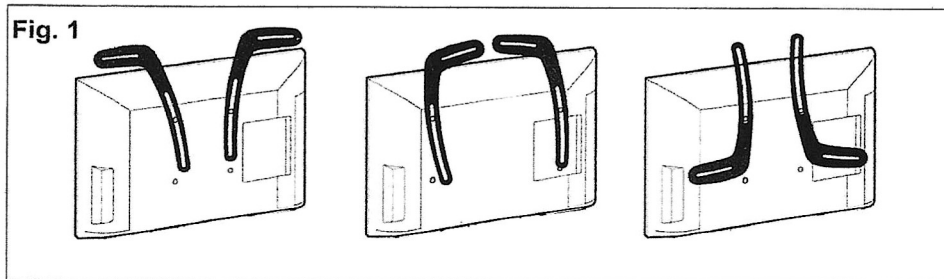
Bolt Bag		
Description		Qty.
#10x3/4" bolt		2
Small washer		4
#10 hex nut		4

NOTE: Due to the lack of industry standard in mounting patterns on soundbars, the provided hardware may not suit your specific model. Additional soundbar hardware may be required.



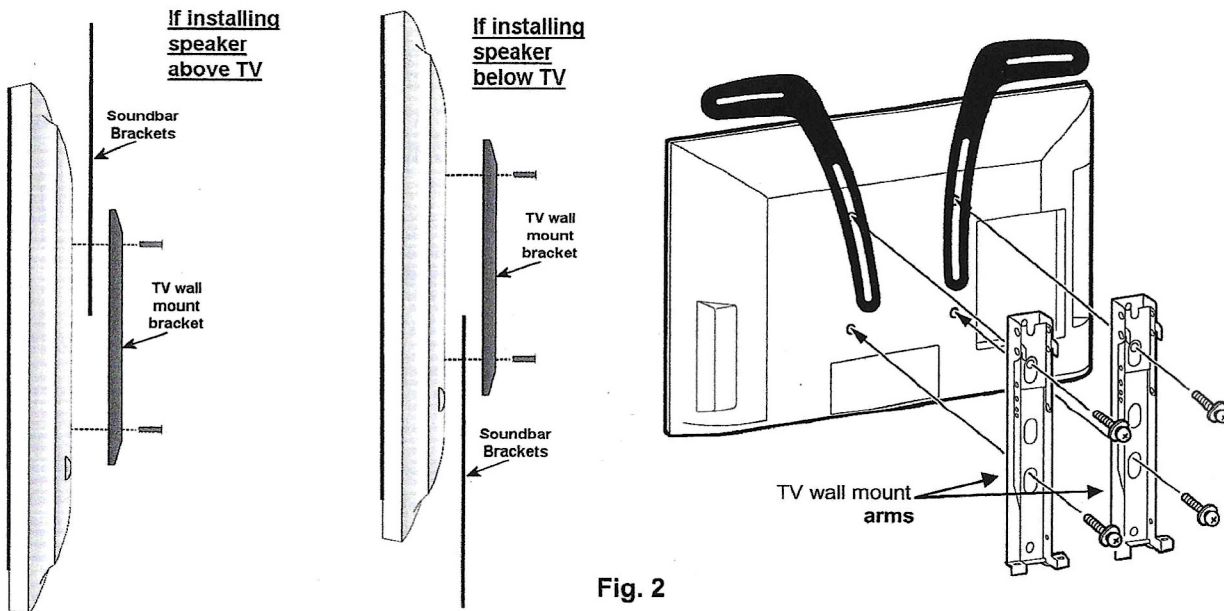


CAUTION!: PLEASE DO NOT MOUNT YOUR SOUNDBARS USING SOUNDBAR BRACKETS IF YOUR PANEL IS NOT WALL MOUNTED. MOUNTING TO A TV ON A PEDESTAL IS A TIPPING RISK. THIS COULD CAUSE DAMAGE TO EQUIPMENT AND POSSIBLY LEAD TO PERSONAL INJURY.



See Fig. 1 for examples of multiple configurations you can use to adapt the Soundbar Brackets to match your soundbar mounting holes. Use the configuration that works best with your soundbar.

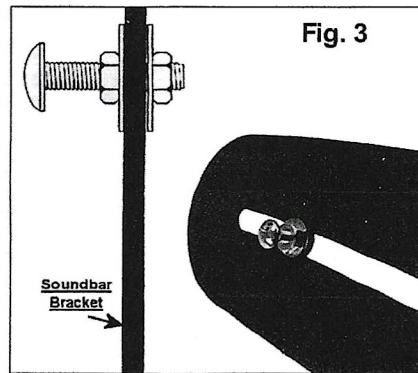
Installing Soundbar Brackets to a wall mounted flat panel



Insert the Soundbar Brackets in between the back of your flat panel and your wall mount, as shown in Fig. 2. You will be using your wall mount panel screws to affix the Soundbar Brackets to your TV. Secure with one bolt in each bracket as demonstrated in the diagram. Do not screw all the way as final adjustments may be necessary.

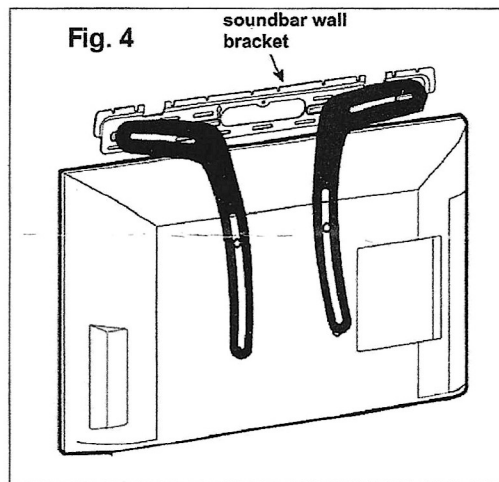
Installing the soundbar speaker to your Soundbar Brackets

There are three ways to mount your soundbar to the Soundbar Brackets, depending on the mounting specifications of your soundbar:



A) *If your soundbar has tear drop or keyhole mounting holes*

Use all the parts from the bolt bag and attach the bolts as shown in Fig. 3. Hang your soundbar on the bolts, making sure the bolt heads fit properly into the keyholes. Make desired alignment adjustments and tighten all bolts. Do not over tighten .



B) *If your soundbar is already affixed to a soundbar wall bracket*

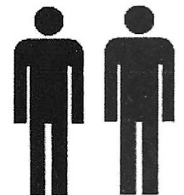
Using hardware from bolt bag, attach your soundbar's wall bracket to the Soundbar Brackets as shown in Fig. 4.

C) *If the back of your soundbar has threaded mounting holes*

Using hardware from the bolt bag, screw your soundbar directly into the Soundbar Brackets.

Final adjustments

Make any desired final alignment adjustments and tighten all bolts. Do not over tighten. With the help of a partner, carefully lift your TV (with the Soundbar Brackets now attached) back onto your wall plate. If further assistance is required, please use the instruction manual included with your wall mount.



Maintenance

It is recommended that you check the brackets once a month to ensure all connections are secure. Re-tighten screws when necessary.