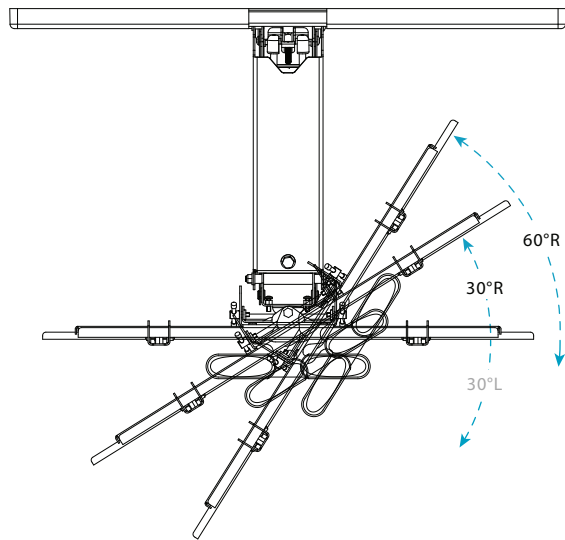


# MM540 SPECIFICATIONS

## OVERHEAD VIEW



**TV Weight Capacity** 20-90 pounds

**TV Size** 44" – 80" diag.

**Max Lowering Distance** 27"

**Flush-to-Wall Distance** 5.7"

**Max Mantel Clearance\*** 18"/15"

**Net Weight** 38 pounds

**Steel Thickness** 2.5mm

**Overall Dimensions**

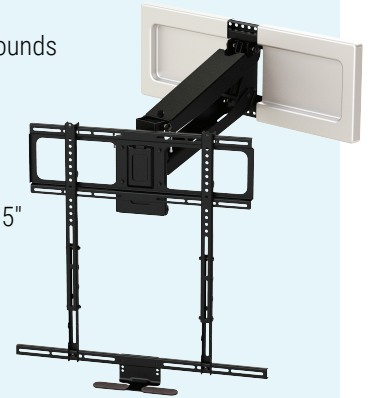
34"w x 25"h x 5.5"d

**Tilt** Up to 9°

**Swivel** 30° Left and 30° Right (or)  
60° Left or 60° Right

**Mounting Pattern** VESA Up to 600mm x 600mm

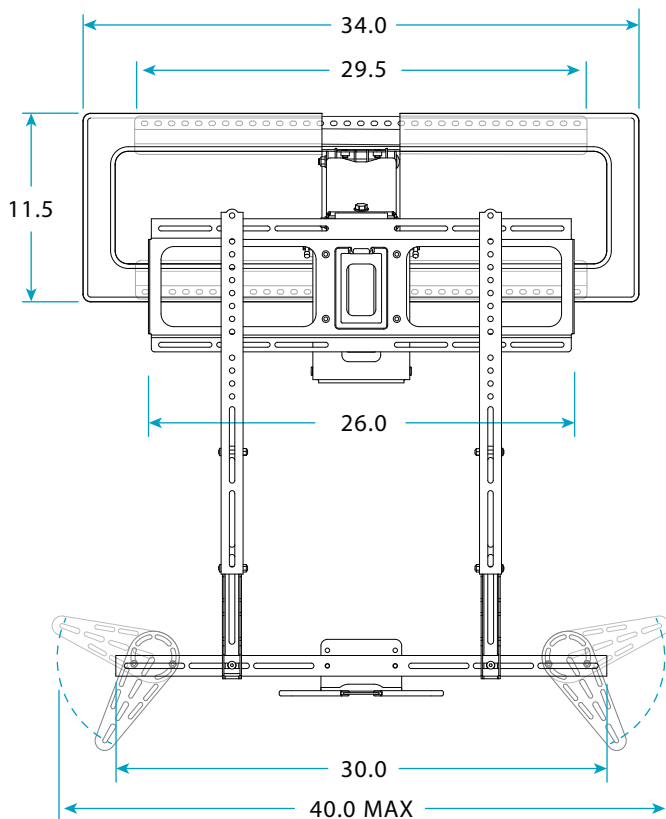
**Features** Heat-Sensing Center Handle (Changes Colors),  
Wall Plate Covers, Travel Stops in All Directions



U.S. Pat. No. 8,864,092

\* Max mantel clearance: non-recessed/recessed

## FRONT VIEW



## SIDE VIEW

