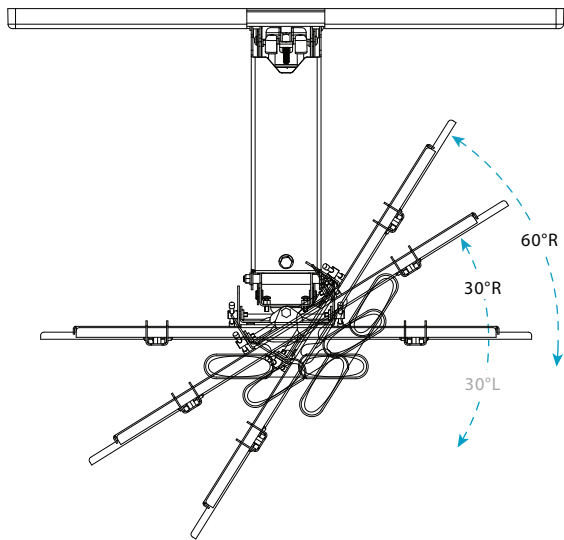


MM540 SPECIFICATIONS

OVERHEAD VIEW



TV Weight Capacity 20-90 pounds

TV Size 44" – 80" diag.

Max Lowering Distance 27"

Flush-to-Wall Distance 5.7"

Net Weight 38 pounds

Steel Thickness 2.5mm

Overall Dimensions

34"w x 25"h x 5.5"d

Tilt Up to 9°

Swivel 30° Left and 30° Right (or)

60° Left or 60° Right

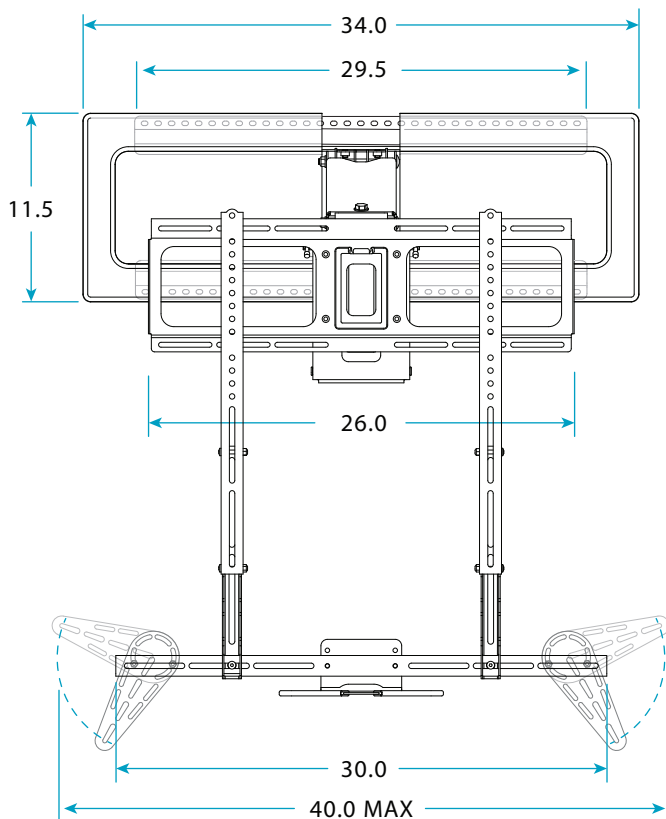
Mounting Pattern VESA Up to 600mm x 600mm

Features Heat-Sensing Center Handle (Changes Colors),
Wall Plate Covers, Travel Stops in All Directions



U.S. Pat. No. 8,864,092

FRONT VIEW



SIDE VIEW

