

The Woodhaven

AMERICAN ORIGINAL



ASSEMBLY:

To assemble, bolt the horizontal bottom tube (B) on the inside of the welded end section (A)-see inset. Slide the bolts through from the outside of the rack to give a nice, clean look (Drilled holes can be tight and may need the bolts to be tapped thru drilled holes). The nuts have a nylon insert to prevent them from working loose. The threaded side of the nut goes on first and will require (2) 7/16" wrenches to tighten. Do not over tighten. Connect the horizontal bottom tubes (B) using the bent outside bracket (C), flat bracket (D) and the short bolts. The bent "foot" should face the inside of the rack with the bolts going through the bent bracket.

COVER:

Woodhaven was the first to design covers to cover firewood the way it needs to be! It keeps the top dry and ready to burn, and allows for air to flow through the firewood to reduce mold and mildew and promote curing. Our standard cover fits around the uprights of the rack and moves down as the wood stack is used. Sewn-in wind straps may be used for windy conditions.

IMPORTANT PLACEMENT:

To prevent the possibility of this product tipping over, it MUST be placed on a hard, level surface such as concrete or heavy concrete stepping stones.

NEVER PLACE THIS RACK ON DIRT OR ANY OTHER UNSTABLE SURFACE.

CHILDREN SHOULD NOT BE ALLOWED TO PLAY ON THE RACK.

We value your feedback. Visit firewoodracks.com to leave any comments, suggestions or testimonials.

Shop "Woodhaven" Gear, Replacement Parts & Covers at firewoodracks.com

8 Pack Replacement Caps \$9.95 • 6 Pack of "Woodhaven" Cozzies \$9.95

The Woodhaven American Original Ball Cap \$19.95

Full Line of Full Covers in Black, Brown and Mossy Oak

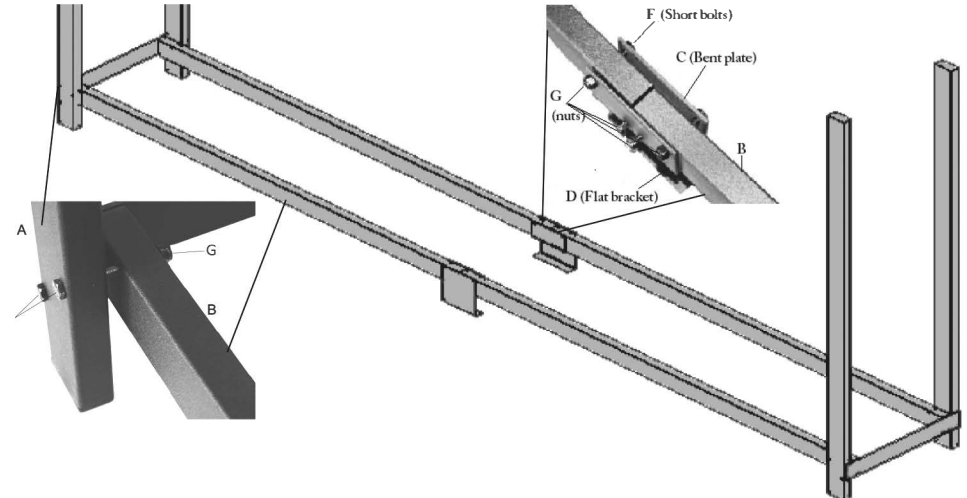
For customer service, please call us toll free at
888-421-5010 8 am -5 pm M-F CST



Assembly
Videos

Patent Pending Alexander Mfg. Co., Inc

Firewood Rack Assembly Instructions 8 ft & 10 ft Firewood Racks



Parts Required for 8 ft & 10 ft Woodhaven Firewood Racks

PART	IMAGE	DESCRIPTION	QUANTITY
A		WELDED END SECTION	2
B		BOTTOM RAIL	4
C		BENT OUTSIDE BRACKET	2
D		FLAT INSIDE BRACKET	2
E		LONG 2 1/2 BOLT	8
F		SHORT 1 3/4 BOLT	8
G		SELF LOCKING NUT	16