



TOM FIELLO



2023

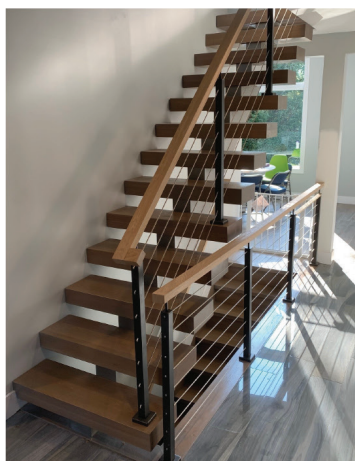
CUSTOM FLOATING TREADS SUPPLIER

 +1 386 405 4281

 [tfstairs.com](https://www.tfstairs.com)

 customstairtreads@gmail.com

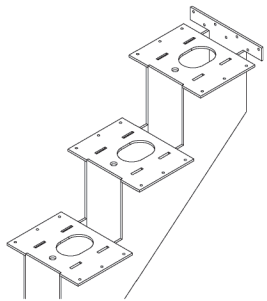
 405 Timaquan Trail #7 Edgewater, FL



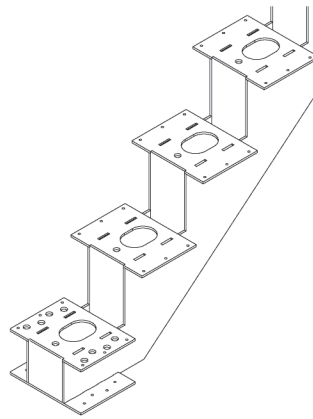
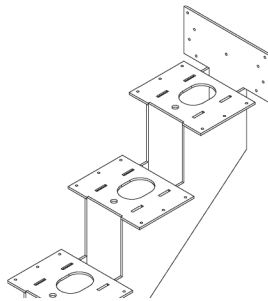
PARIS

TOP OF THE STAIRS

Option of an upper fixed plate of 1 5/8"

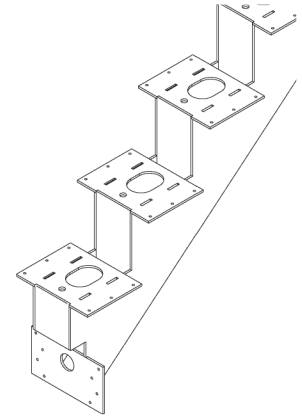


Option of an upper fixed plate of 6"



BOTTOM OF THE STAIRS

Option Plat
Fixed with a flat plate



Option Angle
Fixed with an angle mounting plate

STRINGER
WIDTH

5 1/2"

ESTIMATED WEIGHT
PER STEP

26 Lbs

OPTION

Screw cover for
stringer mounting
plate

COLORS

**Painted steel stringer
(Powder coated).**
Available colors:
ACV, BU, BW, CM,
CU, GU, MU, NT, NU

DETAILS

- Recommended step's thickness: 1 5/8" and over.
- Step's width : 54" maximum.
- Available for 2 or 3 angle stairs or a landing (a mechanical coupling may be required).
- Fasteners included. Refer to the certification for models and their positions.
- A reinforcement is necessary at all times. Please refer to the reinforcement suggested by Prestige Metal at the end of this section.
- Please contact our customer service for other special requests.
- In conformity with the National Building Code.

CUSTOM STRINGERS

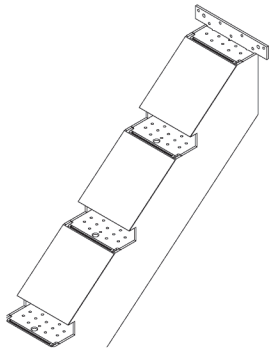
NEW YORK



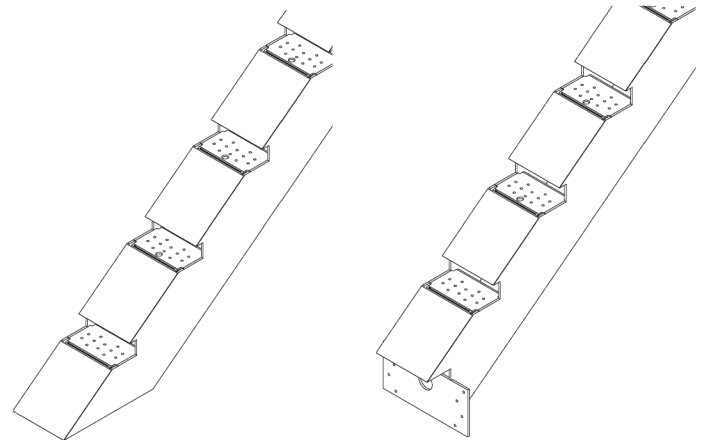
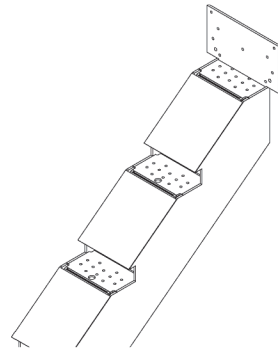
NEW YORK

TOP OF THE STAIRS

Option of an upper fixed plate of 1 5/8"



Option of an upper fixed plate of 6"



BOTTOM OF THE STAIRS

Option Plat
Interior fixing plate

Option Angle
Fixed with an angle mounting plate

STRINGER
WIDTH

7 1/2"

ESIMATED WEIGHT
PER STEP

24 Lbs

OPTION

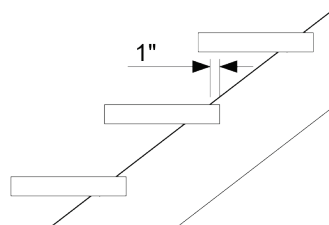
Screw cover for
stringer mounting
plate

COLORS

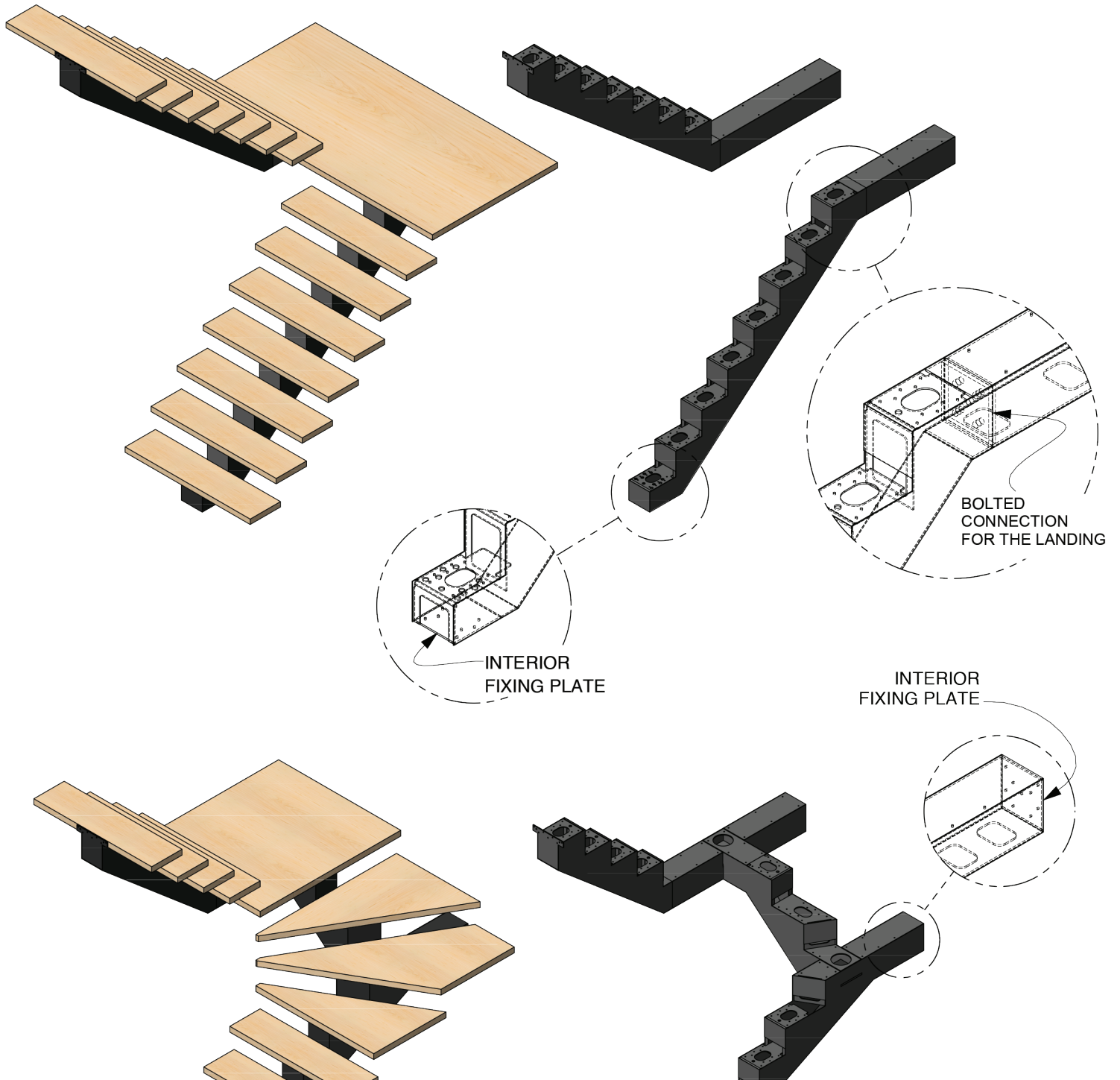
**Painted steel stringer
(Powder coated).**
Available colors:
ACV, BU, BW, CM, CU,
GU, MU, NT, NU

DETAILS

- Recommended step's thickness: 2" at 3".
- Step's width : 54" maximum.
- Available for a 2 or 3 angle stairs or a landing (a mechanical coupling may be required).
- Fasteners included. Refer to the certification for models and their positions.
- A reinforcement is necessary at all times. Please refer to the reinforcement suggested by Prestige Metal at the end of this section.
- Please contact our customer service for any quote or other special requests.
- In conformity with the National Building Code.
- 1" of depth will need to be added to the tread.



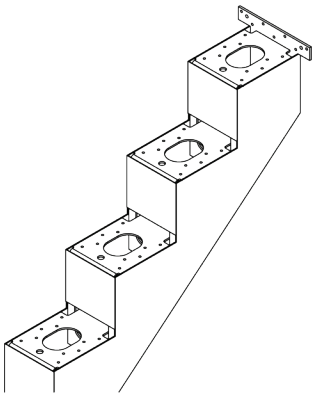
Ex: Run: 9"
Nosing / overhang: 1-1/2"
Tread: 11-1/2"



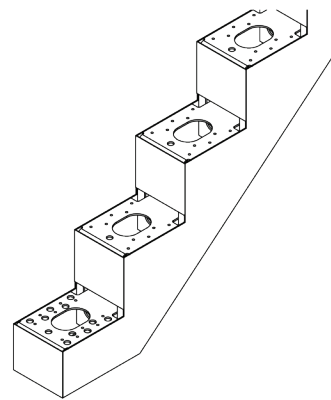
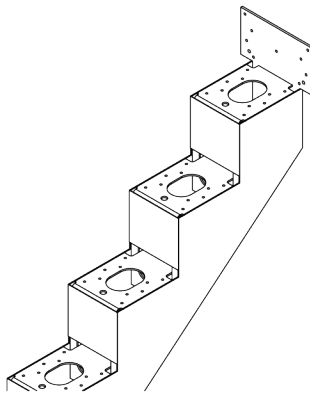
SEATTLE

TOP OF THE STAIRS

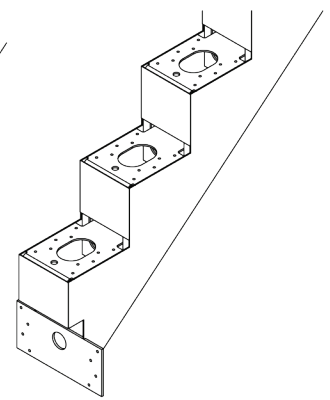
Option of an upper fixed plate of 1 5/8"



Option of an upper fixed plate of 6"


BOTTOM OF THE STAIRS

Option Plat
Interior fixing plate



Option Angle
Fixed with an angle mounting plate

STRINGER
WIDTH

7 1/4"

ESIMATED WEIGHT
PER STEP

15 Lbs

OPTION

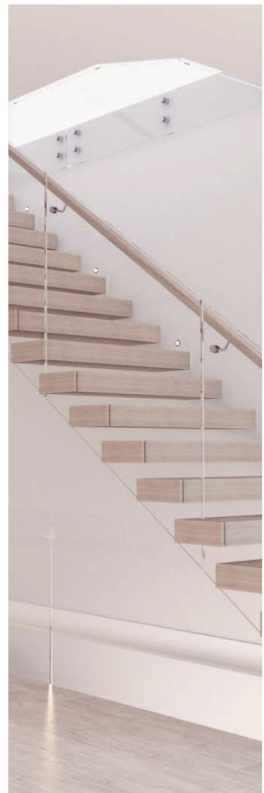
Screw cover for
stringer mounting
plate

COLORS

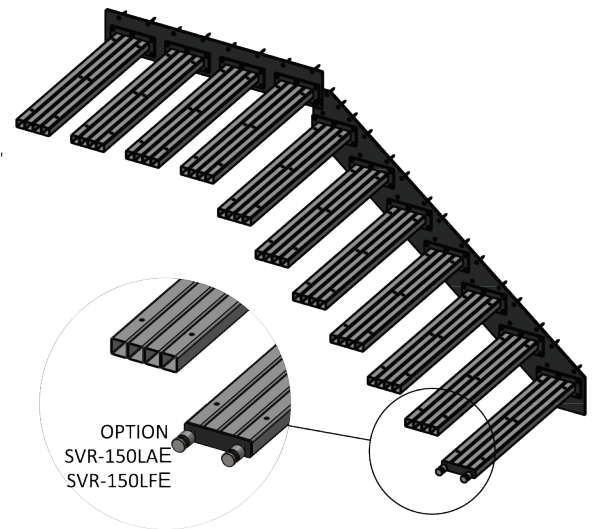
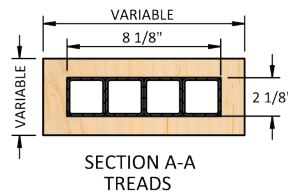
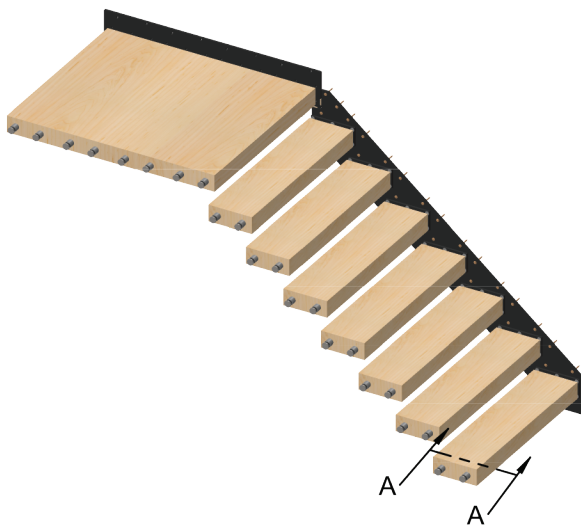
**Painted steel stringer
(Powder coated).**
Available colors:
ACV, BU, BW, CM, CU,
GU, MU, NT, NU

DETAILS

- Recommended step's thickness: 1 5/8" and over.
- Maximum 16 steps
- Step's width : 54" maximum.
- Available for 2 or 3 angle stairs or a landing (a mechanical coupling may be required).
- Fasteners included. Refer to the certification for models and their positions.
- Please contact our customer service for other special requests.
- In conformity with the National Building Code.
- A reinforcement is necessary at all times. Please refer to the reinforcement suggested by Prestige Metal at the end of this section.



CHICAGO



ESTIMATED WEIGHT
STRINGER / PER STEP
20 Lbs

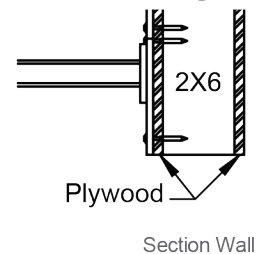
ESTIMATED WEIGHT
PER STEP
58 Lbs

COLORS
Steel stringer with
primer

DETAILS

- Recommended tread thickness : see section A-A.
- Step's width : 54" maximum.
- Available for 3 angle stairs or a landing (a mechanical coupling may be required).
- Fasteners included. Refer to the certification for models and their positions.
- Reinforcement is necessary at all times. The composition on the wall must be made of solid 2x6 covered with 3/4 " plywood screwed and glued on each side (see Section Wall).

- Please contact our customer service for any quote or other special requests.
- In conformity with the National Building Code.



*Photos and drawings are indicative. The installer is responsible for checking the current regulations, in their area, with their local building inspector.



TOM FIELLO

CUSTOM FLOATING TREADS SUPPLIER



+1 386 405 4281



tfstairs.com



customstairtreads@gmail.com



405 Timaquan Trail #7 Edgewater, FL