



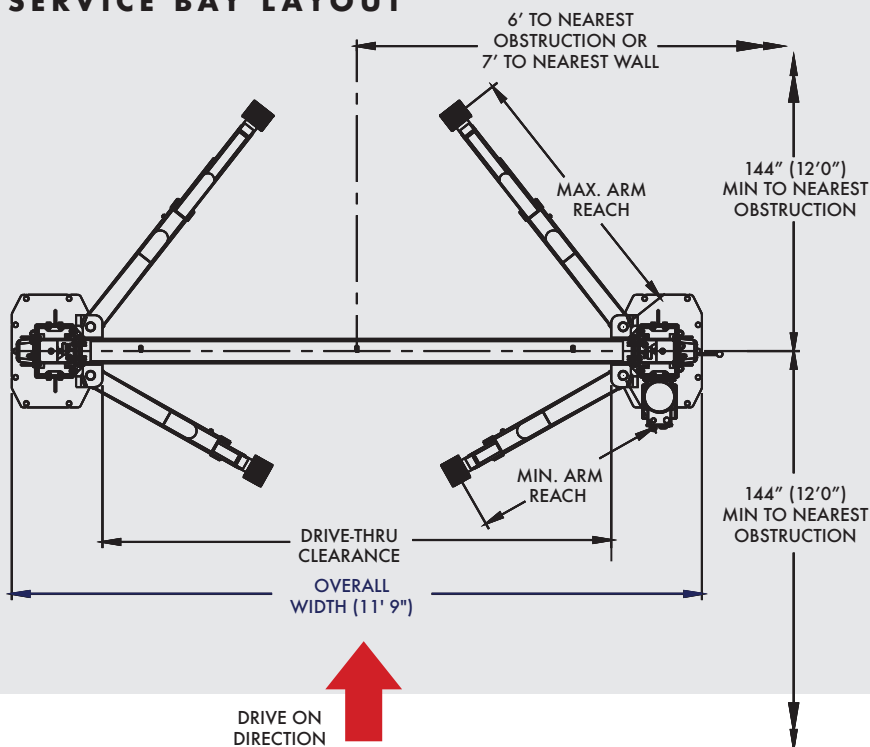
CL Challenger Lifts


E12

SITE SPECIFICATIONS

- **BAY HEIGHT:** 14' minimum
- **BAY WIDTH:** 14' recommended
- **BAY DEPTH:** 24' recommended
- **POWER REQ.:** 208-230v Single Phase*, 30-amp breaker
- **MIN. CONCRETE SPEC:** 4" thick, reinforced, free from cracks/seams, rated at 3500+ psi, cured at least 28 days

SERVICE BAY LAYOUT



Model Number	E12
Lifting Capacity	12,000 lbs.
Arms	2-stage front/2-stage rear
Lifting Configuration	Symmetric
Rise Height	77.75"
Overall Height	166"/175"
Overall Width	139.75"
Drive-Thru Clearance	103"
Floor to Overhead Switch	159.5"/168.5"
Minimum Arm Reach	35.75"
Maximum Arm Reach	54.5"
Screw Pad Height	5.25"-6.75"
Inside Columns	115"
Ceiling Height Required	167"/176"
Motor / Voltage	2HP, 208v - 230v
Speed of Rise	84 s
ALI/ETL Certified	√
2' Height Extension Available	√
Colors Available	

*3-phase upgrade is available for purchase

www.challengerlifts.com
1-800-648-5438