

# quook

baby food processor



## USER GUIDE

Q K - 9 0 0 6



Intertek  
5010201

CONFORMS TO UL STD.982 & 1082  
CERTIFIED TO CSA STD.C22.2 No.  
1335.2.14 & 1335.1 & 60335-1 & 60335-2-15

quark™

# thank you for choosing **quark**

In order to get the most out of your new Quark baby food processor, please read this user guide carefully. We're sure you'll love your new device, but if you have any issues or just need a hand getting started, please get in touch with our support team at [quarkbaby.com](http://quarkbaby.com)

The images and diagrams in this user guide are for reference only and may not be to scale. This 5-in-1 baby food processor (Steam, blend, auto clean, sterilize, bottle warming) is designed to make fresh baby food at home in minutes. Always operate the unit according to this user guide.

**questions?** for more information please visit [quarkbaby.com](http://quarkbaby.com)

## **1** warnings

---

1. Check if the voltage indicated on the bottom of the appliance corresponds to the standard voltage in your area before connecting the power cable.
2. Do not use the appliance if the electrical connector, power cable, or the appliance itself is damaged.
3. If the power cord is faulty or damaged, it must be replaced by Quark, or a service center authorized by Quark in order to avoid a hazard.
4. If the blade is stuck, only clean the blockage after disconnecting the power cord.
5. To avoid scalding, please do not touch the water tank or stirring cup which can reach high temperatures when steaming. Only touch the stirring cup using the affixed handle.
6. Be cautious of high temperature steam which may vent from the stirring cup during steaming or when opening the lid.
7. Ensure the stirring cup is correctly attached to the base before use, otherwise the unit will display an error code and will not operate.
8. Be careful when adding water or cleaning. Overfilling may cause water to enter the appliance, resulting in a short circuit and/or other issues.
9. Always test the temperature of baby food and milk by hand before feeding.
10. After steaming, the food must be poured from the steaming basket into the stirring cup. Ensure the stirring cup is cooled before removing the lid, and that the food does not exceed the 'MAX' indicator on the stirring cup.
11. Empty the water tank and add new purified water before steaming.

## 2 cautions

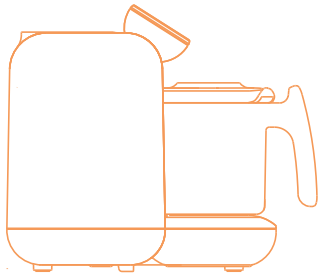
---

1. Using accessories or parts produced by other manufacturers or not recommended by Quark, may cause injury and will void the warranty.
2. Do not immerse the unit in water. Do not put the unit on or near sources of heat.
3. Do not use a sterilizer or microwave to disinfect the stirring cup or other parts of the appliance. These methods are not suitable for the handle or blade.
4. **This unit is designed for household use only.** If operated in contravention of this user guide in any way, the warranty will become void. **Quark is not responsible for any loss or damage as a result of improper operation of the unit.**
5. Place the unit on a stable, flat surface away from cabinets or fixtures which may be damaged by steam emitted from the unit during operation.
6. Do not attempt to steam without adding water.
7. If the unit becomes damaged or broken, do not use the device. Send for service. For more information visit <https://quarkbaby.com>
8. Do not place purée or juice in the water reservoir in order to avoid corrosion of the reservoir coating due to acidity or basicity of the purée or juice.
9. Do not move the unit when in operation.
10. Do not insert any objects into the water inlet or steam outlet.
11. **Do not open or add water to the reservoir when steaming.** Otherwise, hot water and steam may be expelled from the reservoir.
12. Always check the uniformity of the blended food to ensure there are no foreign objects or coagulation.
13. Do not blend bones or nuts of any kind.
14. Do not initiate blending with an empty stirring cup. Wait 10 seconds after each blending cycle before blending again. Wash parts and sterilize twice for fifteen minutes before first use.
15. The stirring cup may become discoloured by food over time. Clean the stirring cup regularly, and only once cooled.
16. **The blades are sharp.** Be careful when handling, emptying, or cleaning.
17. If hot liquid is poured into the unit it can be expelled due to sudden steaming.
18. Switch off and disconnect the unit from the power outlet before handling parts that move during operation.
19. Always disconnect the unit from the power outlet if the unit is left unattended and before assembly, disassembly, or cleaning.
20. This unit is designed for use only by adults. **Keep the unit and power cable out of reach of children.**
21. To protect against electric shock, do not immerse the unit or power cable in water or other liquids.

## 3 product specifications

---

- ▶ Quook Smart Baby Food Processor
- ▶ Model: QK-9006 (BFP-1600E)
- ▶ Heating Power: 300W
- ▶ Blending Power: 130W
- ▶ Rated Power: 120V ~ 60Hz
- ▶ Water Reservoir Capacity: 200ml
- ▶ Stirring Cup Capacity: 300ml
- ▶ Net Weight: 1.76kg
- ▶ Gross Weight: 2.52kg
- ▶ Dimensions: 25.6cm x 13cm x 25.2cm



## 4 warranty

---

For more information on our 1 year limited warranty or to register your product, please visit [quarkbaby.com/warranty](https://quarkbaby.com/warranty).

**NOTE:** Original proof of purchase is required in order for our support team to validate your warranty request.

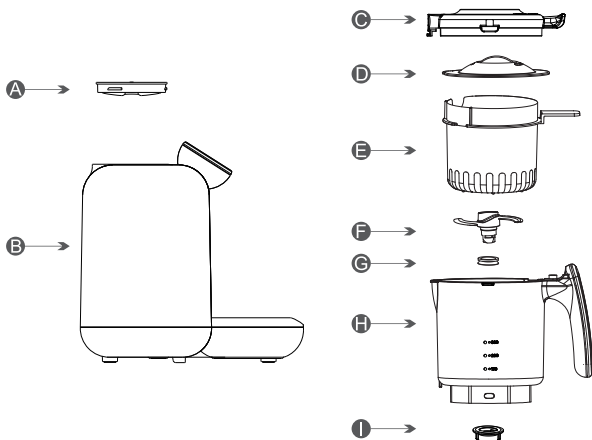
## 5 recipes + tips

---

For cooking tips, recipes, how-to videos, accessory products and more, please visit <https://quarkbaby.com>

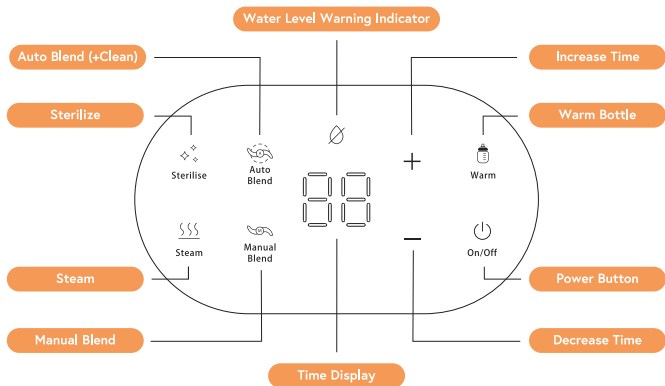


## 6 product components



ITEM	NAME	MATERIAL	HEAT RESISTANCE TEMPERATURE	COLD RESISTANCE TEMPERATURE	QUANTITY
A	Reservoir Lid	Food-grade PP	120°C	-20°C	1
B	Main Body	PP	120°C	-20°C	1
C	Stirring Cup Lid	Food-grade PP	120°C	-20°C	1
D	Spill-proof Cover	Food-grade PP	120°C	-20°C	1
E	Steaming Basket	Food-grade PP	120°C	-20°C	1
F	Blade	Food-grade PA + Stainless Steel	200°C	-20°C	1
G	Blade Gasket	Food-grade Silicone	120°C	-20°C	2
H	Stirring Cup	Tritan	120°C	-20°C	1
I	Blade Holder	Food-grade PA	200°C	-20°C	1

## 7 touch display panel features



**Power On/Off:** To start, insert plug into wall outlet. When the unit is connected to power, the "⏻" button will illuminate in blue. Simply tap the On/Off button to turn the unit on and enter standby mode. The button will illuminate in white. Press and hold the "⏻" button for three seconds to turn off.

**Time Display:** Indicates the selected/remaining time (in minutes) for the 'Steam' or 'Sterilize' functions.

**Time Increase:** Manually increase the selected/remaining time (in minutes) for the 'Steam' or 'Sterilize' functions.

**Time Decrease:** Manually decrease the selected/remaining time (in minutes) for the 'Steam' or 'Sterilize' functions.

**Steam:** Initiates the steaming function. When pressed, the 'Steam' button will illuminate, the unit will emit a beep, and the time display will indicate 15 minutes remaining by default. You can adjust the steaming time by using the 'Increase/Decrease Time' buttons according to your preference. The unit will beep 5 times upon completion of the steaming cycle.

**Sterilize:** Initiates the sterilization function. When pressed, the 'Sterilize' button will illuminate, the unit will emit a beep, and the time display will indicate 10 minutes remaining by default. You can also adjust the sterilization time by using the 'Increase/Decrease Time' buttons according to your preference. The unit will beep 5 times upon completion of the cycle.

**Auto Blend (+Clean):** Initiates the automatic blending function. When pressed, the 'Auto Blend' button will illuminate, the unit will emit a beep, and will begin blending for approximately one minute. The unit will beep 5 times upon completion of the cycle. To stop the process at any time, simply press the 'Auto Blend' button again and the unit will pause.

Your quook baby food processor is designed to allow maximum control. You can customize the consistency of your baby food by Auto Blending multiple times in a row, or by using the Manual Blend function. The auto blend function can be repeated up to six times consecutively before the unit enters standby mode. To clean quick messes, simply add 300ml of water to the stirring cup and initiate an 'Auto Blend' cycle which will clean the stirring cup. Always follow with a sterilization cycle.

**Manual Blend:** Initiates the manual blending function. When held, the 'Manual Blend' button will illuminate, the unit will emit a beep and will begin blending. Releasing the button will stop the function and the light will dim. Repeat this process to 'Pulse'.

**Warm:** Initiates the 'Bottle Warming' function. Add approximately 60ml of water to the reservoir. With reservoir lid removed, place the baby bottle into the reservoir and press the 'Warm' button to start warming the bottle. The unit will beep 5 times upon completion of the cycle, which takes approximately 6 minutes. **WARNING:** Always check the temperature of the milk by hand before feeding.

**Water Level Warning Indicator:** If there is no water in the reservoir, the water level warning indicator will flash, and the water reservoir will not heat. After filling the reservoir, the water level indicator will stop flashing.

## start up guide

---

**Step 1:** Make sure to clean all parts before use.

**Step 2:** To start, insert plug into wall outlet. When the unit is connected to power, the "⏻" button will illuminate.

**Step 3:** Open water reservoir lid, add approximately 200ml of purified or distilled water into the reservoir being careful not to exceed the 'MAX' fill level. Replace and rotate the lid firmly to secure it in place before use. Press the power button to start up your quook baby food processor.

**NOTE:** Use purified water to avoid scaling. Do not exceed 'MAX' fill level.

## 9 cooking + controls

### 1. steaming



15MIN



15MIN



15MIN



20MIN

**Step 1:** If you haven't already, fill the water reservoir to the 'MAX' fill line indicated on the reservoir (approximately 200ml). Close the lid by gently turning to secure it in place.



**Step 2:** Remove the stirring cup from the unit by rotating the handle clockwise and lifting out. Open the lid of the stirring cup by turning clockwise. Cut food into small cubes, place the cubes the steaming basket and replace the lid. The unit can handle fruits, vegetables, meat, poultry, and fish – just ensure they're cut into small enough pieces. Be careful not to overfill.



**Step 3:** Align the handle with the 'OPEN' label on the base. While holding the handle, position your thumb on the lid closure, then turn the stirring cup counter-clockwise to secure it in place. Press the 'Steam' button and the steaming cycle will begin automatically. Remember, the steaming time can be adjusted by using the '+' and '-' buttons for maximum control. The unit will beep 5 times upon completion of the steaming cycle.

### 2. blending



**Step 1:** Carefully remove stirring cup lid and empty the contents of the steaming basket into the stirring cup. Add or remove water depending on your preferred consistency of baby food.

**Step 2:** Ensure the 'Spill-Proof Cover' has been installed before replacing the lid, and then reattach the stirring cup to the unit.

**Step 3:** Press the 'Auto Blend' button to blend your baby food. For smoother consistency, you can use the 'Auto Blend' function up to 6 times. If you prefer to manually blend, press and hold the 'Manual Blend' button until desired consistency. Do not remove lid when blade is moving.

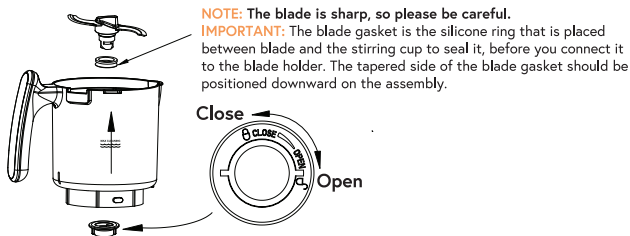


### 3. cleaning + maintenance

To clean the 'Blade':

**Step 1:** Power off the unit and remove the stirring cup.

**Step 2:** Remove the lid and carefully remove the blade from the stirring cup as shown. Review the 'Product Components' section of this manual if you need a visual aid of components. To remove the blade, disengage the blade from the blade holder at the base of the stirring cup. The blade holder is rotated to the right to disengage and remove, and once clean, rotated left to install.



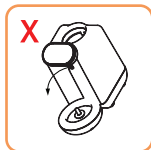
To use the 'Auto Clean' function:

**Step 1:** Rinse any remaining purée from the cup, and fill the stirring cup with water to the 'MAX CLEAN' fill line. Secure the spill-proof cover and lid onto the stirring cup and attach it to the unit. Power on the unit and press the 'Auto Blend' button.

**Step 2:** Drain the water, rinse the stirring cup, and run a 'Sterilize' cycle to disinfect the stirring cup. **NOTE:** If you prefer to use a dishwasher to clean your quook components, the stirring.cup and blade components are top rack dishwasher safe.



**Maintenance:** We recommend regular cleaning of the water reservoir to prevent damage to the machine from mineral deposits. The frequency of cleaning will depend on the type of water you are using and how much mineral deposit build up forms. Always unplug before cleaning.



Put 1/3 cup of white vinegar and 1/3 cup of distilled water in unit and let sit overnight. Carefully pour out the vinegar and water solution by following instructions shown. Refill Water Reservoir with purified water, plug in machine and run 'Steam' cycle for 15 minutes. Rinse with purified water to eliminate any remaining vinegar taste. Empty any remaining water and refill with purified water before steaming new recipes.

NEVER USE A CHEMICAL DESCALER IN THE MACHINE.

## 4. sterilizing

**Step 1:** Ensure the water reservoir is filled to the 'MAX' fill line (approximately 200ml).

**Step 2:** Power on the unit and press the 'Sterilize' button to start. You can initiate a sterilization cycle on the empty stirring cup to clean before or after use. The unit will beep 5 times upon completion of the steaming cycle. **NOTE:** You can place small items which are safe for steam sterilization (i.e. pacifiers, bottle nipples) into the stirring cup to sterilize.

## 5. warming



**Step 1:** Add approximately 60ml of water to the water reservoir.

**Step 2:** With reservoir lid removed, place the baby bottle into the reservoir and press the 'Warm' button to start warming the bottle. The unit will beep 5 times upon completion of the cycle, which takes approximately 6 minutes.

**NOTE:** The 'Warm' function is designed to warm milk safely and evenly. Due to the fact that liquid temperature is affected by the ambient temperature, amount of water in the reservoir, and bottle material and thickness, always be sure to test the temperature of the liquid by hand before feeding.

## 10 troubleshooting

---

For a full list of troubleshooting tips and additional FAQs, visit [quarkbaby.com](http://quarkbaby.com)

**The time display is showing error 'E1':** This usually means the stirring cup is not correctly attached to the unit. Follow the instructions in 'Steaming: Step 3' to ensure the stirring cup is correctly attached.

**Water is leaking from the reservoir during the steaming cycle:** The reservoir has likely been over-filled. Please do not fill the reservoir past the 'MAX' fill line indicated on the reservoir interior.

**The food is not being cooked thoroughly enough:** Ensure that the water reservoir is not low or empty. Check to confirm that there is no blockage of the steam outlet. Lastly, ensure the steaming basket is not over-filled. Always ensure the ingredients are prepared correctly by cutting them into small cubes.

**The unit is overheated or isn't working:** As a safety feature, the unit will shut down automatically in the event that it becomes overheated in any way. In this case, disconnect the unit from power and let it rest for 3-5 minutes. Ensure the water reservoir is sufficiently filled before resuming use.