

User Manual Putogesafe Photoelectric Smoke Alarm ZA208B

Thank you for purchasing our smoke alarm. Please take a few minutes to read the user's manual thoroughly and familiarize yourself and your family with its operation. Please keep the user manual for the entire lifetime of the product.



Product Specifications

Power supply : 1PC DC3V built-in lithium battery (Pairdeer CR123A-I / Huiderrui CR123A) with 10-year lifetime (included & not replaceable)

Operation current	: <5uA(standby), <100mA(alarm)
Alarm volume	: > 85 dB (A) at 3 meters
Alarm sensitivity	: 0,100 - 0,160 dB/m
Operating temperature	: 0 °C - 40 °C
Operating humidity	: < 93 %
Individual alarm indicator	: Yes
Alarm silence facility	: Yes Hush time: approx 10minutes
Low battery & fault warning	: Yes

•**SOUND PATTERN:** BI 0.5s - pause 0.5s – BI 0.5s – pause 0.5s – BI 0.5s – pause 1.5s, with the red LED flash, repeat this alarm pattern.

•**COMPLY WITH STANDARD:** EN14604:2005/AC:2008

Description

The unit is a photoelectric smoke alarm. With the photoelectric technology, it is more sensitive to detecting slow smolder fires which is general thick and black smoke along with a little heat and may smolder for hours before bursting into flames. The smoke alarm does not contain the radioactive material, which is harmless to the environment.

Important Safety Information

1. Press the test button to test smoke alarm function. Do not use any other test method. Test smoke alarm weekly to ensure proper operation.
2. When the smoke alarm is alarming, if you're sure it isn't a really alarm, open windows or fan the air around smoke alarm to silence it. Do not remove or disconnect battery. This will take your protection away.
3. Observe and follow all local and national electrical and building codes for installation.
4. This smoke alarm is designed to be used inside a single family only. In multifamily buildings, each individual living unit should have its own smoke alarms. Do not install in non-residential buildings. And this smoke alarm is not a substitute for a complete alarm system.

5. Install a smoke alarm in every room and on every level of the house. Smoke may not reach the smoke alarm for many reasons. For example, if a fire starts in a remote part of the house, on another floor, in a chimney, or on the other side of a closed door, wall or roof, smoke may not reach the smoke alarm in time to alert household members. A smoke alarm will not promptly detect a fire except in the area or room in which it is installed.

6. Smoke alarm may not alert every household member every time. The alarm horn is loud in order to alert individuals to a potential danger. However, there may be some circumstances where a household member may not hear the alarm (i.e. outdoor or indoor noise, sound sleepers, drug or alcohol usage, bad hearing, etc.). If you suspect that this smoke alarm may not alert a household member, install and maintain specialty smoke alarms. Household member must hear the alarm and quickly respond to it to reduce the risk of damage, injury or death that may result from fire. If a household member is with bad hearing, install special smoke alarms with lights or vibrating devices to alert occupants.

7. Smoke alarms can only alarm when they detect smoke or combustion particles in the air. They do not sense heat, flame or gas. This smoke alarm is designed to give audible warning of a developing fire. However, many fires are fast - burning, explosive, intentional or caused by carelessness or safety hazards. In this circs, smoke may not remake the unit alarm **QUICKLY ENOUGH** to ensure safe escape.

8. Smoke alarms have limitations. This smoke alarm is not foolproof and is not warranted to protect lives or property from fire. Smoke alarms are not a substitute for insurance. Homeowners and renters should insure their lives and property. In addition, it is possible for the smoke alarm to fail at any time. For this reason, you must test the smoke alarm weekly and replace the unit every 10 years.

Indication of Different Status

Standby Status: red LED flashes once every 40 seconds indicating the smoke alarm is operating properly.

Alarm & Test Status: when the test button is pressed or when the smoke alarm senses particles of combustion and goes into alarm (constant pulsed sound), the red LED will flash once per second.

The flashes of LED and pulsating alarm will continue until the air is cleared or the test button is release.

Low Battery Voltage Status: An intermittent chirp with red LED flashes once every 40 seconds.

Fault Status: 16 seconds after the alarm chirps every 40 seconds, the red light flashes once

Silence Mode Status: the red LED will flash once every 8 seconds after pressing the test button in alarm status

do not disturb function: 10 hours do not disturb function

Operation

Before commissioning the smoke alarm, it is important to activate it and test it for correct operation.

Activation

Press the test button and hold it for approximately 3 seconds until the LED indicator lights up and then release the test button immediately.

The smoke alarm will generate a beep to indicate that it's activated.

Note: If no sound is generated, the smoke alarm is not activated properly and should not be used!

The unit are not allowed to deactivation!

Test

Right after activation, test is necessary.

Test the unit to ensure proper operation by pressing the test button for at least 5 seconds, which will trigger alarm if the electronic circuitry, horn and battery are working properly.

If no alarm, the unit has a defective battery or other failure. Refer to “Trouble Shooting” section for a solution.

DO NOT use an open flame to test your alarm, you could damage the alarm or ignite combustible materials and start a fire.

CAUTION: Due to the sound volume (85 decibels) of the alarm, always stand an-arm-length away from the unit when testing.

Erratic or low sound volume coming from your alarm may indicate a defective alarm, you can refer to **Trouble Shooting** section for solution.

NOTE: WEEKLY TEST IS REQUIRED.

Silence Mode (Hush Mode)

The Silence Mode has the capability of temporarily forbidding the alarm circuit to detect smoke for about 10 minutes. This feature is to be used to minimize nuisance alarms only when a known alarm condition, such as smoke from cooking activates the alarm.

Press the test button on the top cover for at least 5 seconds (or until the unit sounds) to active Silence Mode, if the smoke is not too dense, the alarm will enter into Silence Mode for approx 10 minutes and the alarm is temporarily in desensitized condition.

The smoke alarm will automatically reset after approximately 10 minutes. If particles of combustion still exists after this period, the smoke alarm will alarm again.

The Silence Mode can be repeated until the air has been cleared.

Combustion particles from cooking may set off the alarm if the alarm is located close to the cooking area. Using a fan on a range hood venting to outside (non-recirculation type) will help remove these combustible particles from the kitchen. So the Silence Mode is extremely useful in a kitchen area or other areas prone to nuisance alarms.

CAUTION: Before activating the Silence Mode, identify the source of the smoke and be certain the condition is safe.

DANGER: If the detector pulsed alarms constantly and not because of test, the unit is sensing smoke, **THE SOUND OF THE ALARM REQUIRES YOUR IMMEDIATE ATTENTION AND ACTION.**

Trouble Shooting

Problem	Method of Disposal
Smoke alarm does not sound when testing NOTE: Press test button for at least 5 seconds while testing.	Please replace a new smoke alarm.
The alarm chirps with red LED flashing once every 40 seconds.	Please replace a new smoke alarm.
16 seconds after the alarm chirps every 40 seconds, the red light flashes once (The alarm goes into fault mode)	Clean smoke alarm referring to the Maintenance and Cleaning section. Change a new smoke alarm if the problem still exists.

Smoke alarm sounds unwanted alarms intermittently or when residents are cooking, taking showers, etc.	Press test button to pause alarm. Clean smoke alarm. Please refer to the Maintenance and Cleaning section. Move smoke alarm to new location and press test button.
The alarm sounds different from it is used to. It starts and stops.	Clean smoke alarm. Please refer to the Maintenance and Cleaning section. If there are still failures during warranty, you can return to your retailer. If the unit is out of warranty, please replace a new alarm.

Installation

The smoke alarm should be installed in every room (except the bathroom and kitchen) and every other area of the home, making sure the people in the home will be able to hear and respond to the alarm. For minimum protection you should fit an alarm in the hallway between the living areas and sleeping areas. Place the unit near the living areas as possible and ensure the alarm is audible in bedrooms.

Recommendation on typical single storey dwelling

Install a smoke alarm on the ceiling of each bedroom and in the hallway outside each separate sleeping area. If a bedroom area hallway is more than 30 feet long, install a smoke alarm at each end. If there is a basement: install a smoke alarm on the basement ceiling at the bottom of the stairwell.

Recommendation on typical multi-storey dwelling

Install a smoke alarm on the ceiling of each bedroom and in the hallway outside each separate sleeping area. If a bedroom area hallway is more than 30 feet long, install a smoke alarm at each end. Install a smoke alarm at the top of a first – to- second floor stairwell.

Don't install smoke alarms in the following places

1. Near appliances or areas where normal combustion regularly occurs (kitchens, near furnaces, water heaters). Use special smoke alarm with unwanted alarm to control for this areas.
2. In areas with high humidity, like bathrooms or areas near dishwashers or washing machines. Install at least 10 feet away from these areas.
3. Near return air or heating and cooling vents. Install at least 3 feet away from these areas. The air could blow smoke away from the detector and interrupting its alarm.
4. In rooms where temperatures may fall below 0°C or rise above 40°C, or in humidity higher than 93%. These conditions will reduce battery life or cause fault alarm.
5. In extremely dusty, dirty, or insect – infested areas, influence particles can interfere with smoke alarm operation.

Where is the best installation place

- At first you need install an alarm in the bedroom and route way. In the case of several bedrooms, you shall install an alarm in every bedroom.
- Install it in the stairway and in every floor.
- Smoke, heat and burning things spread horizontally after rising to the ceiling, so install the alarm on middle of the ceiling of ordinary structure house.
- If alarm couldn't be installed in the middle of the ceiling for some reasons, the distance which the alarm from the wall corner should be beyond 50cm. (See Diagram 1).

- If the length of the room or the hall is beyond 30 feet, you need install several alarms in the hall.
- Smoke alarms in rooms with ceiling slopes higher than 1m in 8m horizontally shall be located on the high side of the room. Install a smoke alarm on sloping, peak or cathedral ceiling between 500mm and 1500mm from the highest point of the ceiling. (See Diagram 2).
- For single storey dwelling and multiple storey dwelling, please refer to Diagram 3

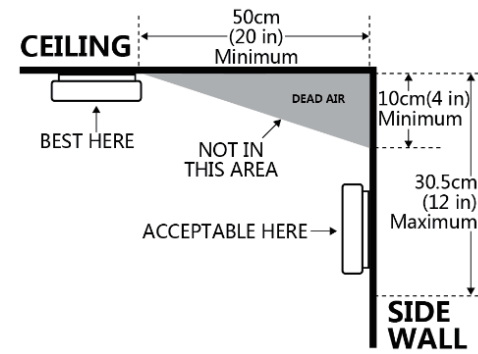


Diagram 1

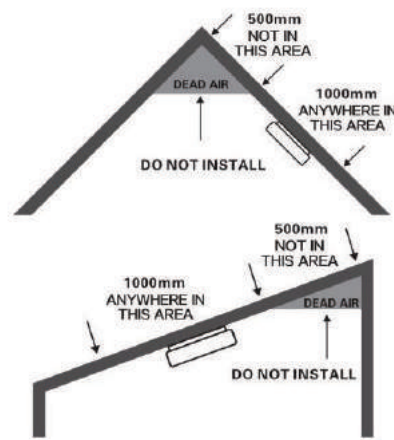


Diagram 2

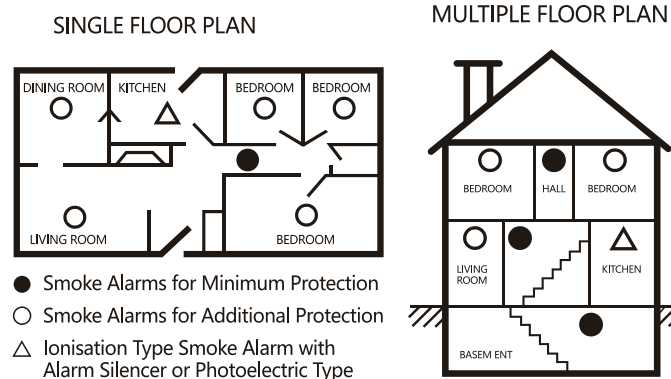


Diagram 3

- Installation Steps** (Please refer to Diagram 4)
- Remove the fixing plug from the mounting plate (if necessary, use a screw driver for this);
 - Place the bracket on the desired installation place and mark the installation holes on the wall with pencil.
 - Bore two installation holes with diameter 5mm with electric drill.
 - Strike the two plastic plugs into holes with hammer.
 - Insert the screws into bracket and tighten them firmly into plastic plugs
 - Fit the alarm on the bracket and turn the alarm body clockwise, until matching well on the bracket.
 - Insert the fixing plug into the hole between the mounting plate and the smoke alarm to fix your alarm.
 - Press the button for test. If no sound, please replace a new one.
- If you have any questions on installation, you can contact your retailer.
- WARNING:** To prevent injury, this unit must be securely attached to the ceiling in accordance with the installation instructions.

Installation Sketch Map

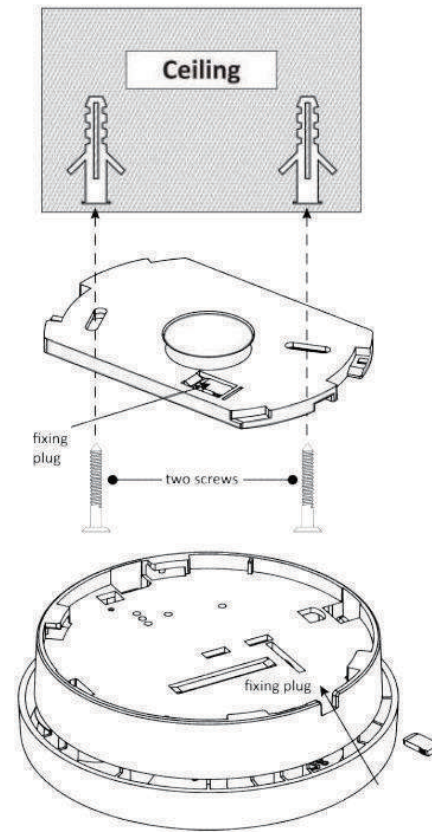


Diagram 4

Maintenance and Cleaning

In addition to weekly testing, the alarm requires periodic clean to remove dust, dirt and debris. Clean the alarm at least once a month. Vacuum all sides of smoke alarm by a vacuum cleaner with the soft brush. Be sure all the vents are free of debris. Use a damp cloth to clean the alarm's cover.

This alarm has a low battery voltage monitor which will cause the alarm to chirp and at the same time the red LED flashes approx every 40 seconds for a

minimum of 30 days when the battery voltage gets low. Replace a new smoke alarm

IMPORTANT: Do not attempt to remove the cover to clean inside. This will affect warranty.

Repair

DO NOT attempt to repair the alarm. It will affect your warranty. If the alarm is not operating properly and is still under warranty, return it to the original place you bought by packing it in a well-padded carton. If the alarm is no longer under warranty, replace it immediately with a comparable alarm.

Practice Fire Safety

- If the detector pulsed alarms constantly and you have not pushed the test button, it is warning of a dangerous situation, your immediate response is necessary. Please prepare for such occurrences by developing family escape plans with all household members and practice them regularly.
- 1: Expose everyone to the sound of a smoke alarm and explain what the sound means.
 - 2: Determine two exits of each room and an escape route to the outside from each exit.
 - 3: Teach all household members to touch the doors before opening them. Instruct them not to open the door and use an alternate exit when the door is hot.
 - 4: Teach household members to crawl along the floor to stay below dangerous smoke, fumes and gases.
 - 5: Determine a safe meeting place for all members outside the building.

What to do in case of fire

1. Do not be panic and stay calm.
2. Leave the building as quickly as possible. Touch doors to feel if they are hot before opening them. Use an alternate exit if necessary. Crawl along the floor and do stop to collect anything.
3. Meet at a pre-arranged meeting place outside the building.
4. Call the fire department from outside the building.
5. Do not go back inside a burning building. Wait for the fire department to arrive.

Note: These guidelines will assist you in the event of a fire, however, to rise the rate of safe escape, please practice fire safety rules and prevent hazardous situations.

Warranty Information

Company warrants to the original consumer. New smoke alarm free from defects in material and workmanship and under correct operation has a period of 3-year warranty from the date of purchase. This warranty does not cover damage resulting from accident, misuse, abuse or lack of reasonable care of the product.

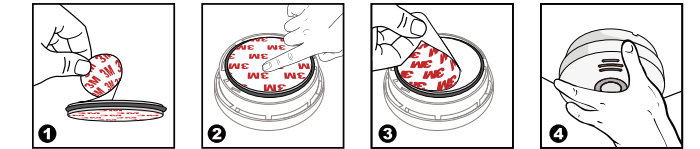
In no case shall company be liable for any incidental or consequential damages by breach of this or any other warranty expressed or implied, whatsoever.

The bad product can be mailed to the following address with a detail explanation of problem.

Manufacturer:

NINGBO EVERS SAFE ELECTRONICS CO.,LTD
 Address: NO. 1 Jiangjia, Dali Village, Shenzhen Town, Ninghai County, Ningbo City, Zhejiang Province 315614 P.R. China
 E-mail:vivian@china-siter.com

MAGNET INSTALLATION METHOD



- 1.Remove the 3M film from any of the two sides of the magnetic sheet.
- 2.Stick the peeled side to the back cover of the detector.
- 3.Remove the other side film from themagnet sheet.
- 4.Stick the detector where you need it.



Benutzerhandbuch

Putogesafe Photoelektrischer Rauchwarnmelder ZA208B

Vielen Dank, dass Sie sich für unseren Rauchmelder entschieden haben. Bitte nehmen Sie sich ein paar Minuten Zeit, um die Bedienungsanleitung gründlich zu lesen und sich und Ihre Familie mit der Bedienung vertraut zu machen. Bitte bewahren Sie die Gebrauchsanweisung während der gesamten Lebensdauer des Produkts auf.



Produktspezifikationen

Stromversorgung: 1PC DC3V eingebaute Lithium-Batterie (Pairdeer CR123A-I / Huiderui CR123A) mit 10 Jahren Lebensdauer (im Lieferumfang enthalten & nicht austauschbar)

Betriebsstrom: <5uA (Standby), <100mA (Alarm)
Alarmlautstärke : > 85 dB (A) in 3 Metern Entfernung
Alarmempfindlichkeit: 0,100 - 0,160 dB/m
Betriebstemperatur: 0 °C - 40 °C
Luftfeuchtigkeit bei Betrieb: < 93 %.

Individuelle Alarmanzeige : Ja
Alarmstummenschaltung : Ja | Stummzeit: ca. 10 Minuten
Warnung bei niedrigem Batteriestand und Störungen : Ja
•**SOUND PATTERN:** BI 0,5s - Pause 0,5s - BI 0,5s - Pause 0,5s - BI 0,5s - Pause 1,5s, wenn die rote LED blinkt, wird dieses Alarmmuster wiederholt.
•**ENTSPRICHT DER NORM:** EN14604:2005/AC:2008

Anzeige der verschiedenen Status

Standby-Status: Die rote LED blinkt einmal alle 40 Sekunden und zeigt an, dass der Rauchmelder ordnungsgemäß funktioniert.
Alarm- und Teststatus: Wenn die Testtaste gedrückt wird oder wenn der Rauchwarnmelder Verbrennungspartikel erkennt und in Alarmbereitschaft geht (konstanter pulsierender Ton), blinkt die rote LED einmal pro Sekunde. Das Blinken der LED und der pulsierende Alarm dauern an, bis die Luft rein ist oder die Testtaste losgelassen wird.
Niedrige Batteriespannung Status: Ein intermittierendes Zwitschern mit roter LED blinkt einmal alle 40 Sekunden.
Störungstatus: 16 Sekunden, nachdem der Alarm alle 40 Sekunden piept, blinkt die rote LED einmal.
Stiller Modus: rote LED blinkt alle 8 Sekunden, wenn die Testtaste im Alarmmodus gedrückt wird; Nicht-Stören-Funktion: 10 Stunden Nicht-Stören-Funktion

Betrieb

Bevor Sie den Rauchwarnmelder in Betrieb nehmen, ist es wichtig, ihn zu aktivieren und seine Funktionstüchtigkeit zu testen.

Aktivierung

Drücken Sie die Prüftaste und halten Sie sie ca. 3 Sekunden lang gedrückt, bis die LED-Anzeige aufleuchtet, und lassen Sie dann die Prüftaste sofort los. Der Rauchmelder gibt einen Piepton ab, um anzuzeigen, dass er aktiviert ist. Hinweis: Wenn kein Ton ertönt, ist der Rauchwarnmelder nicht richtig aktiviert und sollte nicht verwendet werden!
Das Gerät darf nicht ausgeschaltet werden!

Test

Direkt nach der Aktivierung ist ein Test erforderlich. Testen Sie das Gerät, um sicherzustellen, dass es ordnungsgemäß funktioniert, indem Sie die Testtaste mindestens 5 Sekunden lang drücken. Dadurch wird ein Alarm ausgelöst, wenn die elektronischen Schaltkreise, die Hupe und die Batterie ordnungsgemäß funktionieren.

Wenn kein Alarm ausgelöst wird, ist die Batterie defekt oder es liegt ein anderer Fehler vor. Lesen Sie den Abschnitt "Fehlersuche", um eine Lösung zu finden. Verwenden Sie KEINE offene Flamme, um Ihren Alarm zu testen, Sie könnten den Alarm beschädigen oder brennbare Materialien entzünden und einen Brand auslösen.

ACHTUNG: Aufgrund der Lautstärke des Alarms (85 Dezibel) sollten Sie beim Testen immer eine Armlänge vom Gerät entfernt stehen.

Eine unregelmäßige oder geringe Lautstärke Ihres Alarms kann auf einen defekten Alarm hindeuten; eine Lösung finden Sie im Abschnitt Fehlerbehebung.

HINWEIS: EIN WÖCHENTLICHER TEST IST ERFORDERLICH.

Stumm-Modus

Der Stummschaltungsmodus ermöglicht es, dem Alarmkreislauf vorübergehend für etwa 10 Minuten Rauch zu erkennen. Diese Funktion wird verwendet, um zu minimieren, wenn eine bekannte Alarmbedingung, wie z. B. Rauch beim Kochen, den Alarm auslöst. Drücken Sie die Testtaste auf der oberen Abdeckung mindestens 5 Sekunden lang (oder bis das Gerät einen Ton von sich gibt), um den Stummschaltmodus zu aktivieren. Der Alarm wird für ca. 10 Minuten in den Stummschaltmodus versetzt und der Alarm ist vorübergehend desensibilisierten Zustand.

Der Rauchalarm wird nach ca. 10 Minuten automatisch zurückgesetzt. Wenn nach dieser Zeit immer noch Verbrennungspartikel vorhanden sind, schlägt der Rauchalarm erneut Alarm. Der Stummschaltmodus kann wiederholt werden, bis die Luft gereinigt ist. Verbrennungspartikel vom Kochen können den Alarm auslösen, wenn sich der Alarm in der Nähe des Kochbereichs befindet.

Die Verwendung eines Gebläses an einer Dunstabzugshaube, die nach außen abzieht (kein Umluftbetrieb), hilft, diese brennbaren Partikel aus der Küche zu entfernen. Daher ist der Stummschaltmodus in der Küche oder anderen Bereichen, in denen es häufig zu Fehlalarmen kommt, äußerst nützlich.

VORSICHT: Bevor Sie den Stummschaltmodus aktivieren, sollten Sie die Quelle des Rauchquelle identifizieren und sich vergewissern, dass der Zustand sicher ist.

GEFAHR: Wenn der Melder ständig pulsierende Alarme auslöst und nicht aufgrund eines Tests, das Gerät Rauch wahrnimmt, **ERFORDERT DER TON DES ALARMS IHRE SOFORTIGE AUFMERKSAMKEIT UND MASSNAHMEN.**

Störungsbeseitigung

Problem	Entsorgungsmethode
Rauchalarm ertönt beim Testen nicht HINWEIS: Drücken Sie die Testtaste während des Tests mindestens 5 Sekunden lang.	Bitte ersetzen Sie einen neuen Rauchmelder.
Der Alarm ertönt und die rote LED blinkt einmal alle 40 Sekunden.	Bitte ersetzen Sie einen neuen Rauchmelder.
Das rote Licht blinkt einmal alle 16 Sekunden, nachdem der Alarm alle 40 Sekunden gepiept hat (der Alarm geht in den Störungsmodus).	Reinigen Sie den Rauchmelder gemäß dem Abschnitt Wartung und Reinigung. Tauschen Sie einen neuen Rauchmelder aus, wenn das Problem weiterhin besteht.
Rauchalarm ertönt unerwünschte Alarme sporadisch oder wenn die Bewohner kochen, Duschen, etc.	Drücken Sie die Testtaste, um den Alarm anzuhalten. Rauchmelder reinigen. Bitte lesen Sie den Abschnitt Wartung und Reinigung. Bringen Sie den Rauchmelder an einen neuen Standort und drücken Sie die Testtaste.
Der Alarm klingt anders als gewohnt. Er startet und stoppt.	Rauchmelder reinigen. Bitte beachten Sie den Abschnitt Wartung und Reinigung. Wenn während der Garantiezeit immer noch Störungen auftreten, können Sie das Gerät zu Ihrem Händler zurückbringen. Wenn das Gerät außerhalb der Garantiezeit ist, ersetzen Sie bitte einen neuen Alarm.

Installation

Der Rauchmelder sollte in jedem Zimmer (außer in Badezimmer und Küche) und in jedem anderen Bereich der Wohnung installiert werden, sicherstellen, dass die Personen in der Wohnung den Alarm hören und darauf reagieren können. Für einen Mindestschutz sollten Sie einen Alarm im Flur zwischen den Wohn- und Schlafräumen angebracht Bereichen anbringen. Platzieren Sie das Gerät möglichst in der Nähe der Wohnräume und stellen Sie sicher dass der Alarm in den Schlafzimmern hörbar ist.

Wo ist der beste Installationsort?

- Installieren Sie zunächst eine Alarmanlage im Schlafzimmer und im Flur. Bei mehreren Schlafzimmern sollten Sie in jedem Schlafzimmer eine Alarmanlage installieren.
- Installieren Sie ihn im Treppenhaus und in jedem Stockwerk.
- Rauch, Hitze und brennende Gegenstände verbreiten sich horizontal, nachdem sie zur Decke aufgestiegen sind, installieren Sie also den Alarm in der Mitte der Decke eines Hauses mit normaler Struktur.
- Wenn der Alarm aus bestimmten Gründen nicht in der Mitte der Decke installiert werden kann, sollte der Abstand des Alarms von der Wandecke mehr als 50 cm betragen (siehe Diagramm 1).
- Wenn die Länge des Raums oder des Flurs mehr als 30 Fuß beträgt, müssen Sie mehrere Melder im Flur installieren.
- Rauchwarnmelder in Räumen mit einer Deckenneigung von mehr als 1m in 8m waagrecht müssen auf der hohen Seite des Raumes angebracht werden. Installieren Sie einen Rauchwarnmelder an schrägen, spitzen oder katedralen Decken zwischen 500 mm und 1500 mm vom höchsten Punkt der Decke entfernt. (Siehe Diagramm 2).
- Für eingeschossige Wohnungen und mehrgeschossige Wohnungen siehe Schaubild 3

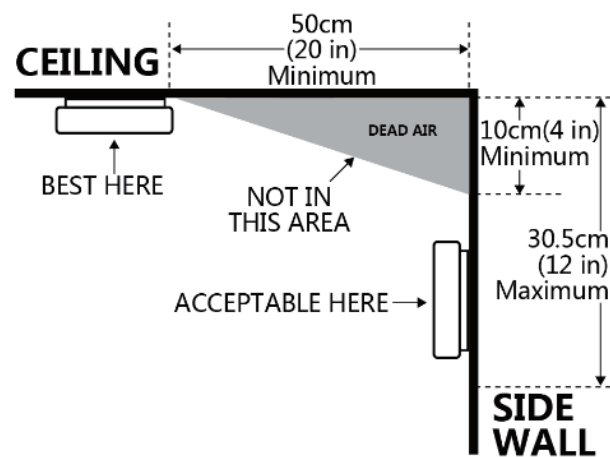


Diagram 1

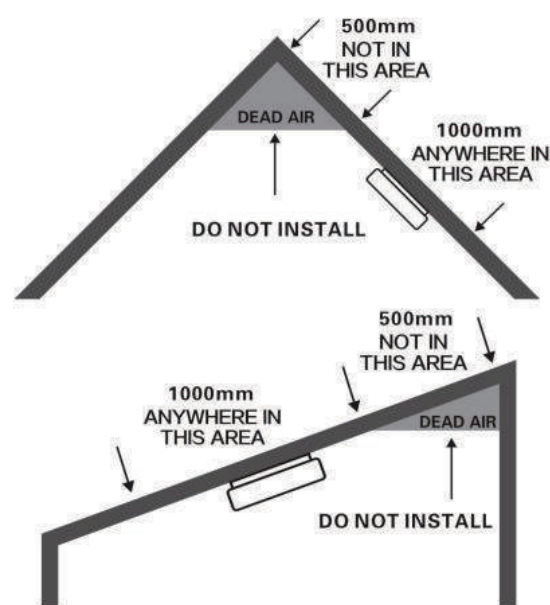


Diagram 2

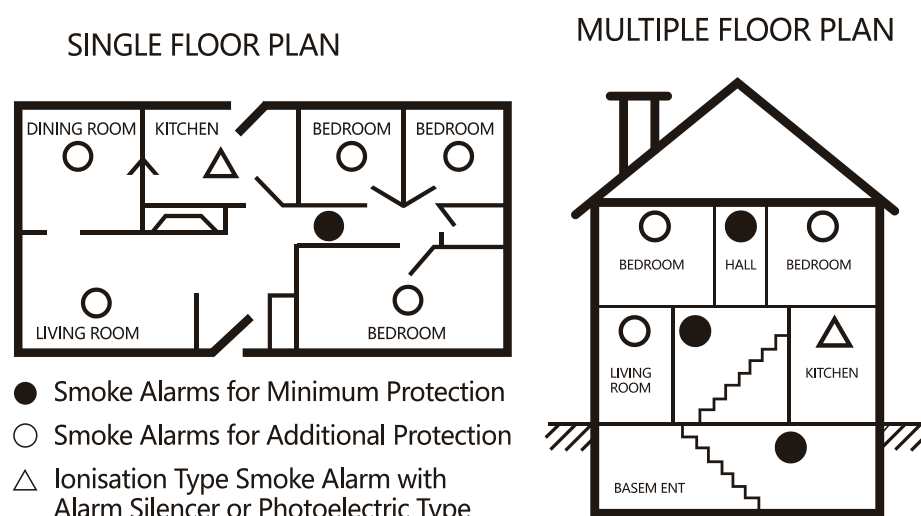


Diagram 3

Montageschritte (siehe Diagramm 4)

- Entfernen Sie die Befestigungsschraube von der Montageplatte (ggf. mit einem Schraubendreher);
- Setzen Sie die Halterung an den gewünschten Montageort und markieren Sie die Montagebohrungen an der Wand mit Bleistift an.
- Bohren Sie zwei Montagelöcher mit einem Durchmesser von 5 mm mit einer elektrischen Bohrmaschine.
- Schlagen Sie die beiden Kunststoffdübel mit einem Hammer in die Löcher.
- Setzen Sie die Schrauben in die Halterung ein und ziehen Sie sie in den Kunststoffdübeln fest an.
- Montieren Sie die Alarmanlage an der Halterung und drehen Sie das Gehäuse im Uhrzeigersinn, bis gut auf die Halterung passt.
- Stecken Sie den Befestigungsdübel in das Loch zwischen der Montageplatte und dem Rauchwarnmelder ein, um den Alarm zu befestigen.
- Drücken Sie den Knopf zum Testen. Wenn kein Ton ertönt, ersetzen Sie bitte einen neuen Melder. Wenn Sie Fragen zur Installation haben, können Sie sich an Ihren Händler wenden.

WARNUNG: Um Verletzungen zu vermeiden, muss dieses Gerät gemäß der Installationsanleitung sicher an der Decke befestigt werden.

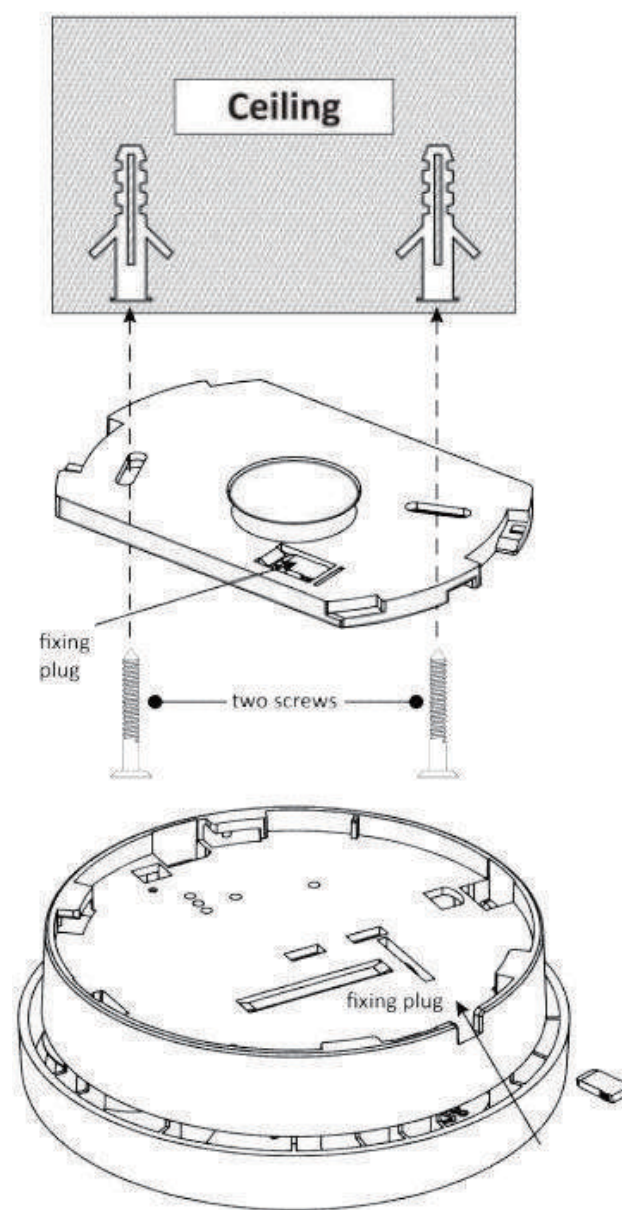


Diagram 4

Wartung und Reinigung

Zusätzlich zu den wöchentlichen Tests muss der Alarm regelmäßig gereinigt werden, um Staub, Schmutz und Ablagerungen zu entfernen. Reinigen Sie den Melder mindestens einmal im Monat. Saugen Sie alle Seiten des Rauchwarnmelders mit einem Staubsauger und einer weichen Bürste ab. Vergewissern Sie sich, dass alle Lüftungsöffnungen frei von Verschmutzungen sind. Verwenden Sie ein feuchtes Tuch, um die Abdeckung des Melders zu reinigen. Dieser Melder verfügt über eine Batteriespannungsüberwachung, die den Melder dazu veranlasst, zu piepsen und gleichzeitig blinkt die rote LED ca. alle 32 Sekunden für mindestens 30 Tage, wenn die Batteriespannung zu niedrig wird. Tauschen Sie die Batterie aus, wenn diese Bedingung eintritt. Siehe Batterie austauschen. **WICHTIG:** Versuchen Sie nicht, die Abdeckung zu entfernen, um das Innere zu reinigen. Dies würde beeinträchtigt die Garantie.

Reparatur

Versuchen Sie NICHT, den Alarm zu reparieren. Dadurch wird Ihre Garantie beeinträchtigt. Wenn die Alarmanlage nicht ordnungsgemäß funktioniert und noch unter die Garantie fällt, senden Sie sie an es in einem gut gepolsterten Karton an den Händler zurück, bei dem Sie es gekauft haben. Wenn der Alarm nicht mehr unter die Garantie fällt, ersetzen Sie ihn sofort durch einen vergleichbaren Alarm.

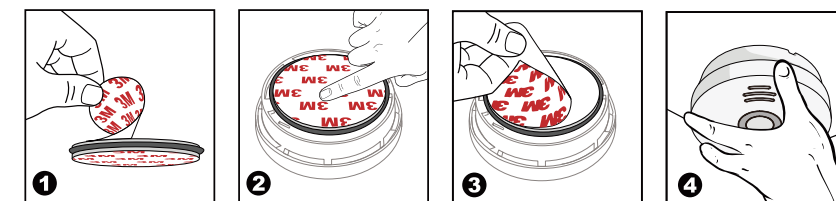
Informationen zur Garantie

Das Unternehmen garantiert dem Erstverbraucher. Neue Rauchmelder, die frei von Material- und Verarbeitungsfehlern sind und ordnungsgemäß funktionieren, haben eine Garantiezeit von 3 Jahren ab Kaufdatum. Diese Garantie deckt keine Schäden ab, die durch Unfälle, unsachgemäßen Gebrauch, Missbrauch oder mangelnde Sorgfalt mit dem Produkt entstehen. In keinem Fall haftet das Unternehmen für zufällige oder Folgeschäden, die durch die Verletzung dieser oder einer anderen ausdrücklichen oder stillschweigenden Garantie entstehen. Das defekte Produkt kann mit einer detaillierten Erklärung des Problems an die folgende Adresse geschickt werden.

Hersteller:

NINGBO EVERSAFE ELECTRONICS CO.,LTD
 Adresse: NO. 1 Jiangjia, Dali Village, Shenzhen Town, Ninghai County, Ningbo Stadt, Zhejiang Provinz 315614 P.R. China
 E-mail: vivian@china-siter.com

Methode der Magnetinstallation



1. Entfernen Sie die 3M-Folie von einer der beiden Seite der Magnetfolie ab.
2. Kleben Sie die abgezogene Seite auf die hintere Abdeckung des Rauchmelders.
3. Entfernen Sie die andere Seite der Folie von der Magnetfolie ab.
4. Kleben Sie den Rauchmelder an die gewünschte Stelle.