

Marking information / Prüfungsinformation / Oznaka	CE EN 303-5 : 2012
Notified Body / Benanntes Labor / Ovlašteno tijelo	TU Wien; Prüflabor für Feuerungsanlagen - Inst. f. Verfahrenstechnik, Umwelttechnik und Techn. Biowissenschaften Getreidemarkt 9 / 166; A-1060 Wien
Test Report / Prüfbericht / Izvještaj o ispitivanju	PL-11160-P ;PL-14023-P; PL-13069-P

PELLING ECO 25			
Technical data / Technische daten / Tehnički podaci proizvoda			
Net weight / Nettogewicht / Težina	267		kg
Pellet silo total capacity / Pellets Tank-Gesamtkapazität / Zapremina spremnika za pelet standard / maxi	75/135		kg
Rated voltage / Nennspannung / Elektro priključak	230		V
Rated frequency / Nennfrequenz / Frekvencija	50		Hz
Rated input power max. / Elektrische Leistungsaufnahme max. / Potrošnja el. energije max.	340		W
Recommended flue pipe draft / Empfohlener Zug des Kamins / Potrebni podtlak dimnjaka	5 - 12		Pa
Fluid contents of the exchanger / Gehalt Flüssigkeit im Ausstauscher / Sadržaj vode	60		L
Maximum working pressure / Max Betriebsdruck / Maksimalni radni pritisak	3		bar
Maximum working temperature / Max Betriebstemperatur / Maksimalna radna temperatura	80		°C
Boiler class / Kesselklasse / Klasa kotla	5		
Certification data / Daten der Zulassung / Podaci sa ispitivanja	Min	Max	
Nominal thermal power (Heat output) / Nennwärmeleistung / Nazivna snaga	8	25	kW
Hourly consumption / Stundenverbrauch / Potrošnja peleta	1,6	5,2	kg/h
Rendimento / Efficiency / Rendement / Wirkungsgrad / Rendimiento	92	91,3	%
Mean CO ₂ emission / Durchschn CO ₂ Emission / Emisija CO ₂	8,2	12,4	%
Mean CO emission (10% O ₂) / Durchschn CO Emission(10% O ₂) / Emisija CO (10% O ₂)	174	85	mg/Nm ³
	89	43	mg/MJ
Mean NO _x emission (10% O ₂) / Durchschn NO _x Emission (10% O ₂) / Emisija NO _x (10% O ₂)	162	182	mg/Nm ³
	83	93	mg/MJ
Mean OGC emission (10% O ₂) / Durchschn OGC Emission (10% O ₂) / Emisija OGC (10% O ₂)	<3	<3	mg/Nm ³
	<3	<3	mg/MJ
Mean dust emission (10% O ₂) / Durchschn StaubEmission (10% O ₂) / Emisija prašine (10% O ₂)	18	15	mg/Nm ³
	11	8	mg/MJ
Mean flue gas temperature / Durchschn Abgastemperatur / Temperatura dimnih plinova	82,5	155	°C
Flue gas mass flow rate / Brenngasfluss / Protok dimnih plinova	7,2	14	g/s

All the datas have been measured using approved pellets in compliance with EN ISO 17225-2.

Alle Angaben sind unter Einsatz laut EN ISO 17225-2 homologierten Pellet festgestellt worden.

Svi podaci su mjereni koristeći certifičirani pelet sukladno normama EN ISO 17225-2.

PELLING ECO 35			
Technical data / Technische daten / Tehnički podaci proizvoda			
Net weight / Nettogewicht / Težina	348	kg	
Pellet silo total capacity / Pellets Tank-Gesamtkapazität / Zapremina spremnika za pelet standard / maxi	95/151	kg	
Rated voltage / Nennspannung / Elektro priključak	230	V	
Rated frequency / Nennfrequenz / Frekvencija	50	Hz	
Rated input power max. / Elektrische Leistungsaufnahme max. / Potrošnja el. energije max.	420	W	
Recommended flue pipe draft / Empfohlener Zug des Kamins / Potrebni podtlak dimnjaka	5 - 12	Pa	
Fluid contents of the exchanger / Gehalt Flüssigkeit im Ausstauscher / Sadržaj vode	90	L	
Maximum working pressure / Max Betriebsdruck / Maksimalni radni pritisak	3	bar	
Maximum working temperature / Max Betriebstemperatur / Maksimalna radna temperatura	80	°C	
Boiler class / Kesselklasse / Klasa kotla	5		
Certification data / Daten der Zulassung / Podaci sa ispitivanja	Min	Max	
Nominal thermal power (Heat output) / Nennwärmeleistung / Nazivna snaga	11,7	35	kW
Hourly consumption / Stundenverbrauch / Potrošnja peleta	2,3	6,7	kg/h
Rendimento / Efficiency / Rendement / Wirkungsgrad / Rendimiento	91,5	91	%
Mean CO ₂ emission / Durchschn CO ₂ Emission / Emisija CO ₂	8,2	12,4	%
Mean CO emission (10% O ₂) / Durchschn CO Emission(10% O ₂) / Emisija CO (10% O ₂)	302	80	mg/Nm
	146	39	mg/MJ
Mean NO _x emission (10% O ₂) / Durchschn NO _x Emission (10% O ₂) / Emisija NO _x (10% O ₂)	146	176	mg/Nm
	72	87	mg/MJ
Mean OGC emission (10% O ₂) / Durchschn OGC Emission (10% O ₂) / Emisija OGC (10% O ₂)	6	<3	mg/Nm
	4	<3	mg/MJ
Mean dust emission (10% O ₂) / Durchschn StaubEmission (10% O ₂) / Emisija prašine (10% O ₂)	23	14	mg/Nm
	12	7	mg/MJ
Mean flue gas temperature / Durchschn Abgastemperatur / Temperatura dimnih plinova	87	145	°C
Flue gas mass flow rate / Brenngasfluss / Protok dimnih plinova	11	22	g/s

All the datas have been measured using approved pellets in compliance with EN ISO 17225-2.

Alle Angaben sind unter Einsatz laut EN ISO 17225-2 homologierten Pellet festgestellt worden.

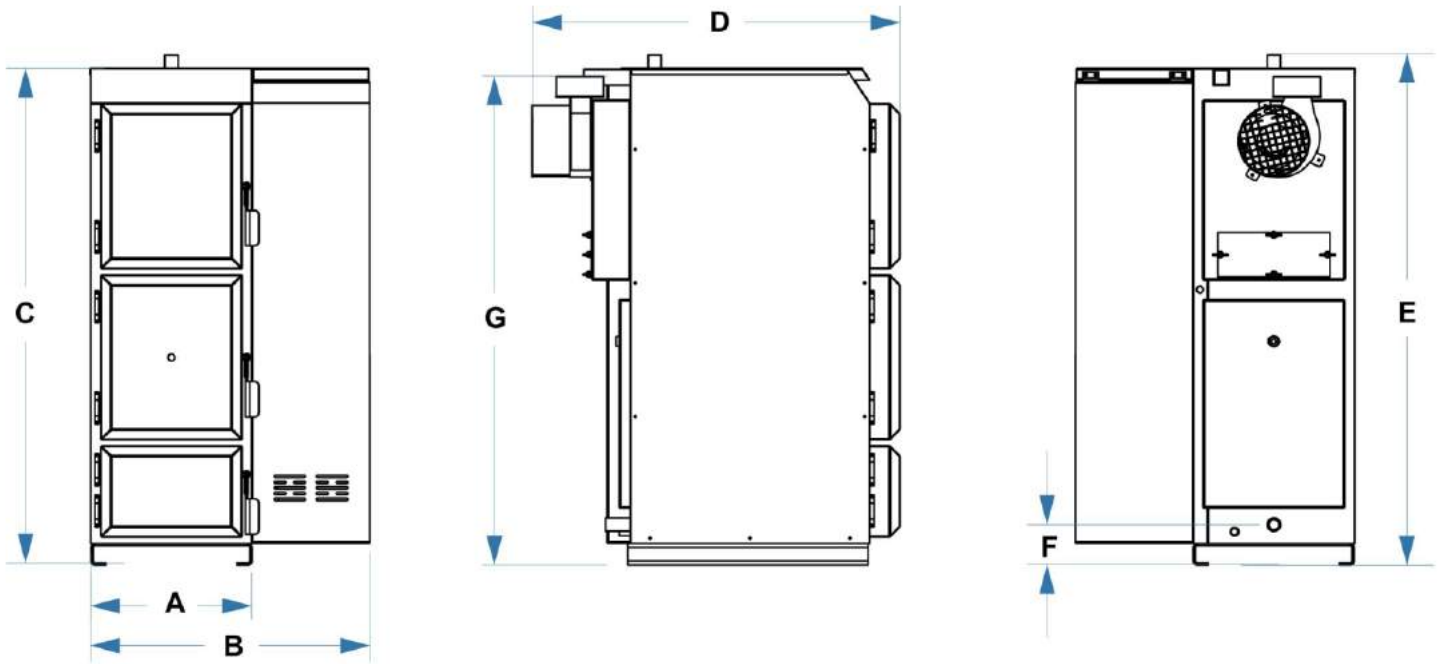
Svi podaci su mjereni koristeći certificirani pelet sukladno normama EN ISO 17225-2.

PELLING ECO 50			
Technical data / Technische daten / Tehnički podaci proizvoda			
Net weight / Nettogewicht / Težina	392	kg	
Pellet silo total capacity / Pellets Tank-Gesamtkapazität / Zapremina spremnika za pelet standard / maxi	110/185	kg	
Rated voltage / Nennspannung / Elektro priključak	230	V	
Rated frequency / Nennfrequenz / Frekvencija	50	Hz	
Rated input power max. / Elektrische Leistungsaufnahme max. / Potrošnja el. energije max.	420	W	
Recommended flue pipe draft / Empfohlener Zug des Kamins / Potrebni podtlak dimnjaka	5 - 12	Pa	
Fluid contents of the exchanger / Gehalt Flüssigkeit im Ausstauscher / Sadržaj vode	120	L	
Maximum working pressure / Max Betriebsdruck / Maksimalni radni pritisak	3	bar	
Maximum working temperature / Max Betriebstemperatur / Maksimalna radna temperatura	80	°C	
Boiler class / Kesselklasse / Klasa kotla	5		
Certification data / Daten der Zulassung / Podaci sa ispitivanja	Min	Max	
Nominal thermal power (Heat output) / Nennwärmeleistung / Nazivna snaga	15,7	47	kW
Hourly consumption / Stundenverbrauch / Potrošnja peleta	3,5	11,1	kg/h
Rendimento / Efficiency / Rendement / Wirkungsgrad / Rendimiento	91	90,7	%
Mean CO ₂ emission / Durchschn CO ₂ Emission / Emisija CO ₂	8,2	12,4	%
Mean CO emission (10% O ₂) / Durchschn CO Emission(10% O ₂) / Emisija CO (10% O ₂)	431	74	mg/Nm
	203	35	mg/MJ
Mean NO _x emission (10% O ₂) / Durchschn NO _x Emission (10% O ₂) / Emisija NO _x (10% O ₂)	129	169	mg/Nm
	61	80	mg/MJ
Mean OGC emission (10% O ₂) / Durchschn OGC Emission (10% O ₂) / Emisija OGC (10% O ₂)	10	<3	mg/Nm
	6	<3	mg/MJ
Mean dust emission (10% O ₂) / Durchschn StaubEmission (10% O ₂) / Emisija prašine (10% O ₂)	23	14	mg/Nm
	11	7	mg/MJ
Mean flue gas temperature / Durchschn Abgastemperatur / Temperatura dimnih plinova	90	141	°C
Flue gas mass flow rate / Brenngasfluss / Protok dimnih plinova	15	30	g/s

All the datas have been measured using approved pellets in compliance with EN ISO 17225-2.

Alle Angaben sind unter Einsatz laut EN ISO 17225-2 homologierten Pellet festgestellt worden.

Svi podaci su mjereni koristeći certificirani pelet sukladno normama EN ISO 17225-2.



	Technical data / Technische daten / Tehnički podaci proizvođača		PELLING 25 ECO	PELLING 35 ECO	PELLING 50ECO
A	Boiler width / Kesselbreite/ Širina kotla	mm	410	510	510
B	Boiler width with pellet silo / Kesselbreite mit Silo / Širina kotla sa spremnikom (standard / maxi)	mm	710/910	810/1010	810/1010
C	Boiler height / Kesselhöhe / Visina kotla	mm	1245	1385	1385
D	Boiler depth / Kesseltiefe / Dubina kotla	mm	948	948	1098
E	Outlet height / Voranschluss Höhe / Visina odlaza	mm	1280	1415	1415
F	Inlet height / Rücklaufanschluss Höhe / Visina povrata	mm	88	85	85
G	Flue gas exhaust pipe height / Rauchabzugsleitung höhe/ Visina dimovodnog izlaza	mm	1240	1440	1440
	Boiler flow outlet / Kessel - vorlauf/ausgang / Odlaz	"	1"	5/4"	5/4"
	Boiler return/inlet / Kessel - rücklauf/ingang / Povrat	"	1"	5/4"	5/4"
	Flue gas exhaust pipe / Rauchabzugsleitung / Promjer dimovodnog izlaza	mm	Ø 120		
	Air intake boiler room / Zuluftansaugleitung / Minimalni otvor za dovod svježeg zraka na kotlovnici	cm	30 x 10		



DECLARATION OF CONFORMITY EU (DoC)



Manufacturer : **ThermoFLUX d.o.o.**
Bage 3, 70101 Jajce
Bosna i Hercegovina

We declare under our sole responsibility that the product:

Name / Mark.....: Heating pellet boilers

Type / Model.....: PELLING 25 ECO, PELLING 35 ECO, PELLING 50 ECO

To which this declaration relates, in accordance with the following normative documents:

Directives: MD 2006/42/EC
LVD 2014/35/EU
EMCD 2014/30/EU
RoHS 2011/65/EU

Applied harmonized standards: EN 303-5:2012; EN ISO 12100:2010;
EN 287-1: 2011, EN 61000-6-2; EN 61000-6-3; EN 60335-1; EN 60335-2-102;
EN 62233; EN 50581

Other specified standards and specifications: EN 55014-1:2006/A2:2011;
EN 55014-2:1997/A2:2008; EN 61000-3-2:2006/A2:2009; EN 61000-3-3:2008;
EN 10204:2004; EN ISO 7000 :2004

Applied procedures for assessing compliance: Modul B-D

Limit values for emissions of combustion products (class): 5

Certificates that are issued: Report on type testing no. PL-14023-P; PL-13069-P

Accredited body: TU Wien; Prüflabor für Feuerungsanlagen - Inst. f.
Verfahrenstechnik, Umwelttechnik und Techn.
Biowissenschaften Getreidemarkt 9 / 166; A-1060 Wien

We hereby declare that the above named product concept and method of preparation, in accordance with safety and security standards that comply with the above directives and standards.

In doing all operating conditions and terms of use in accordance with the attached instruction manual and technical documentation.

When only one change to the product which is not in agreement with us, this declaration loses its importance.

Last name, first name and title of signatory:

Jajce, 01.02.2017

.....
Place and date of issue



General Manager, Tomislav Ladan

.....
Signature, seal