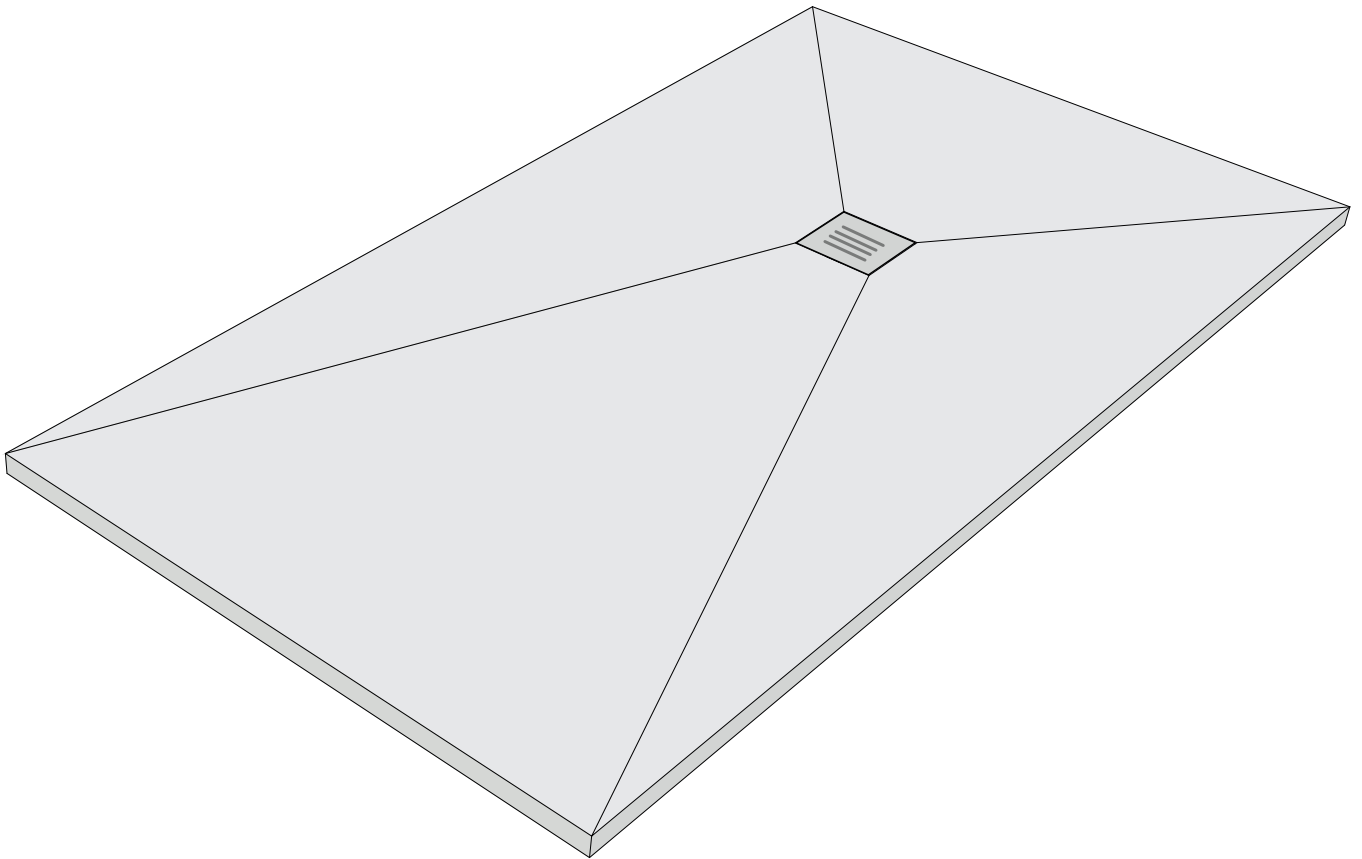


Royal Bath & Marble

your source for luxury

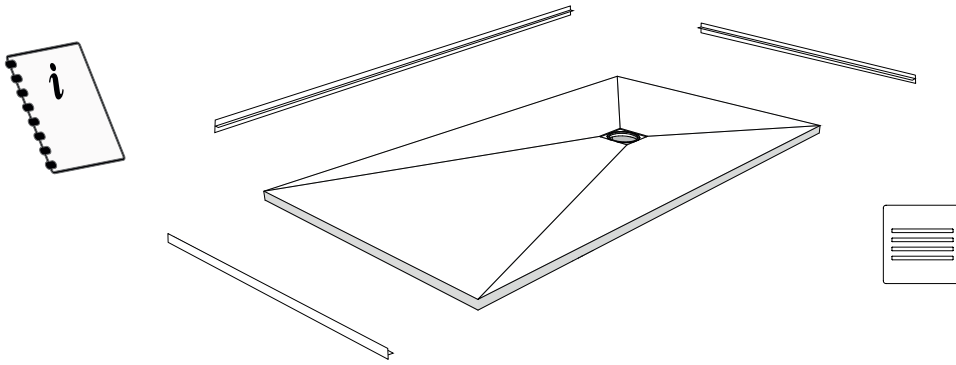
Installation Manual **Shower trays**

**5 YEARS
WARRANTY**

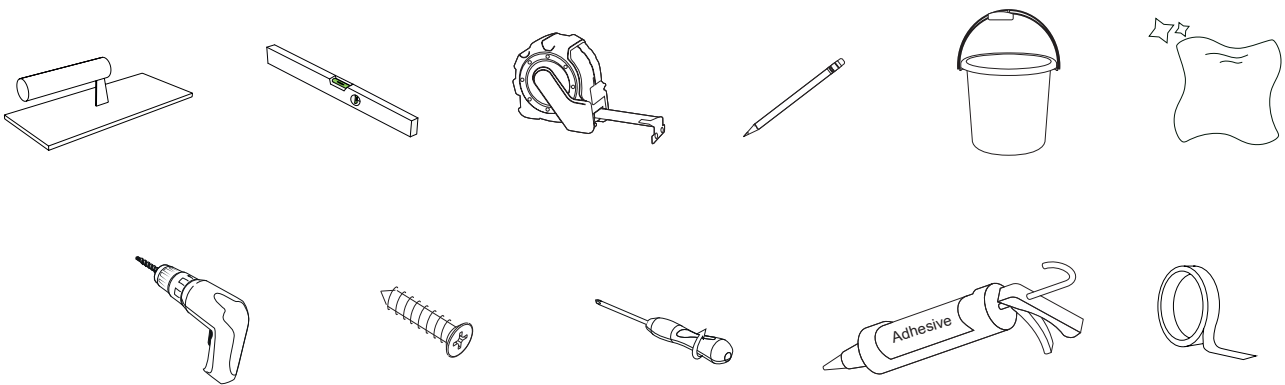


Montreal – New York
info@royalbandmarble.com
Royalbandmarble.com
1 800 413 5130

INCLUDED ITEMS

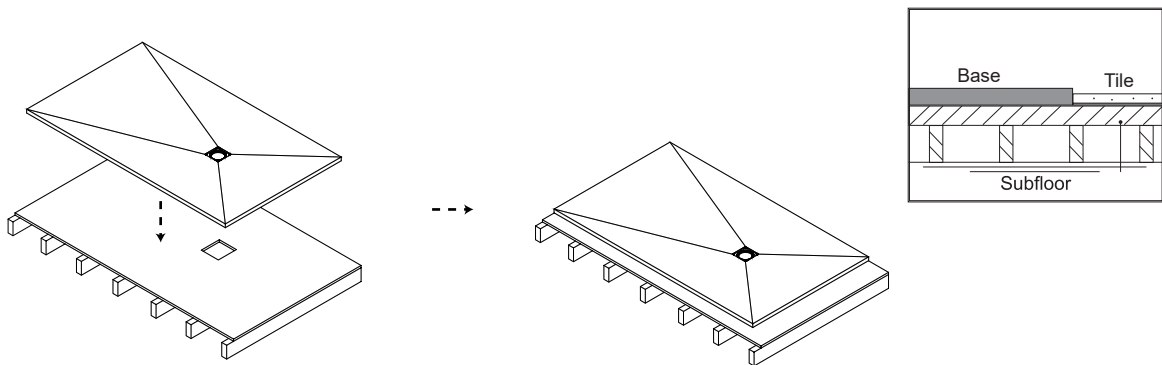


NECESSARY TOOLS

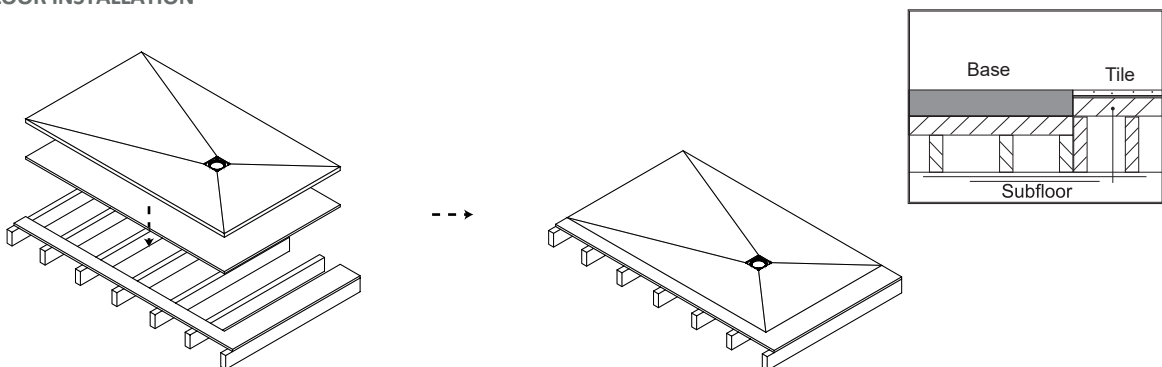


INSTALLATION OPTIONS

SURFACE MOUNT INSTALLATION



RECESSED IN FLOOR INSTALLATION



GUIDE TO INSTALL SHOWER TRAY

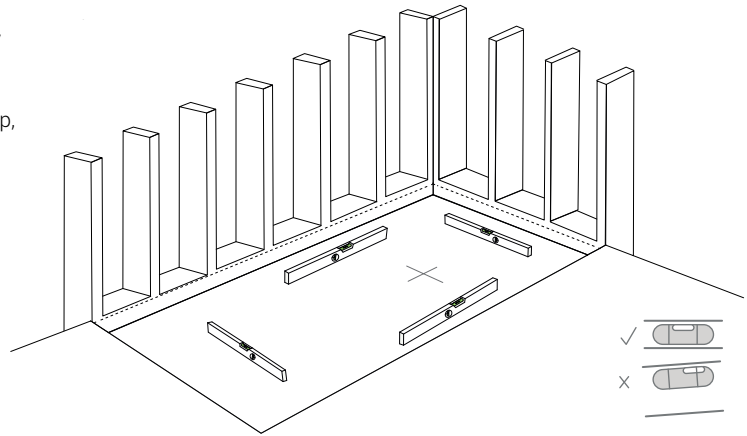
1



·Please check immediately that delivered shower tray is in conformity with your order, doesn't have any imperfection, scratch, impact, etc, and is in perfect conditions for installation. Use for cleaning liquid soap, water and non-abrasive sponge or rag.

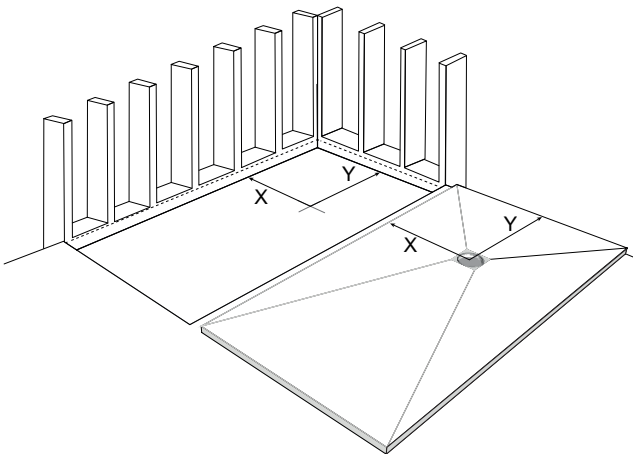
·Do not fit and/or use the product without first having read the manuals in their entirety (and always remember to keep the said manuals). It should be installed by a professional fitter, following the instructions in the manual.

·Fit the product on a properly finished flat substrate able to provide sufficient support.

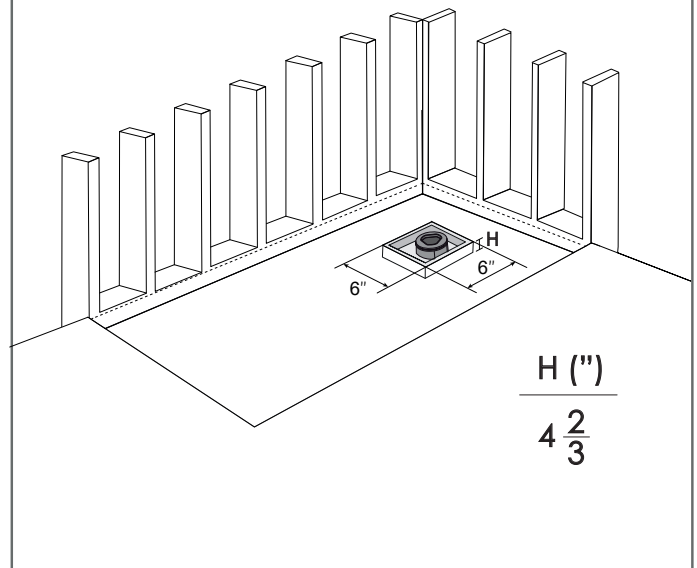


2

Measure the installation Space for installation, and prepare the plumbing at the center of the drain opening position.

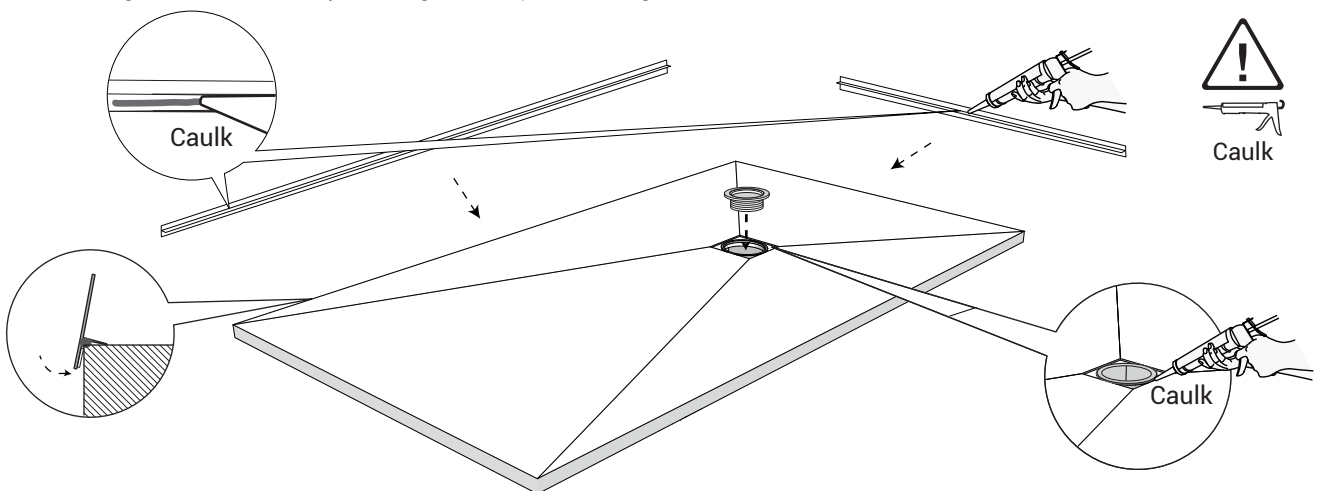


3



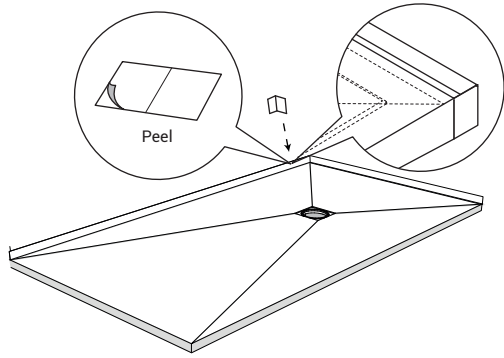
4

Install Tile Flanges on Shower Base by removing sticker tape and adding Caulk on the lower side.



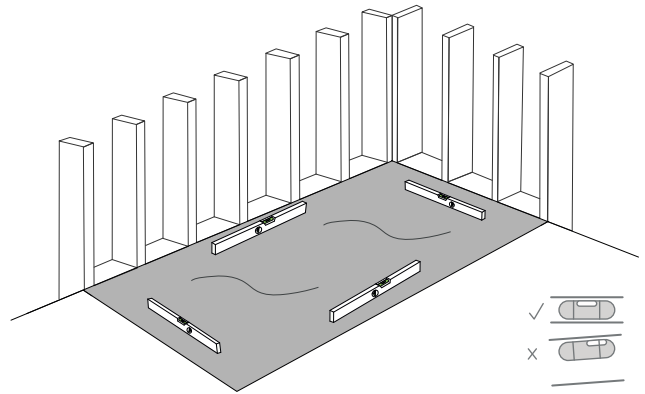
5

Join Tile Flanges with Sticker Joints supplied.



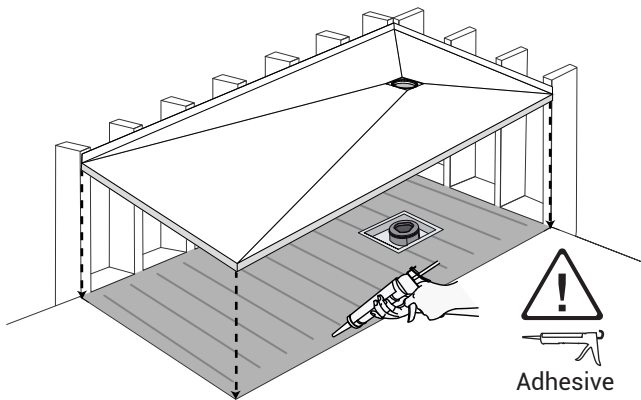
6

Add Self-leveling Cement if necessary.



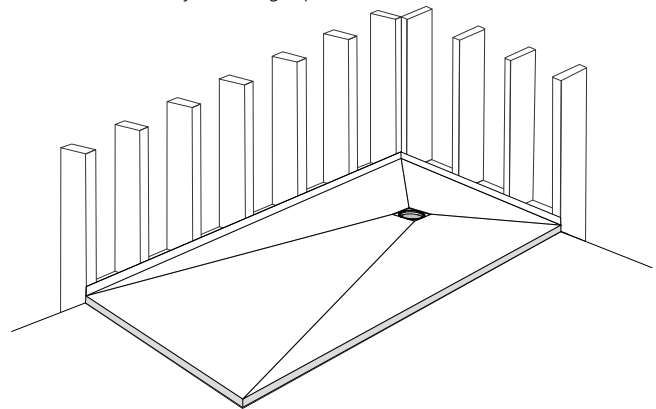
7

Apply Adhesive on the Installation Surface.

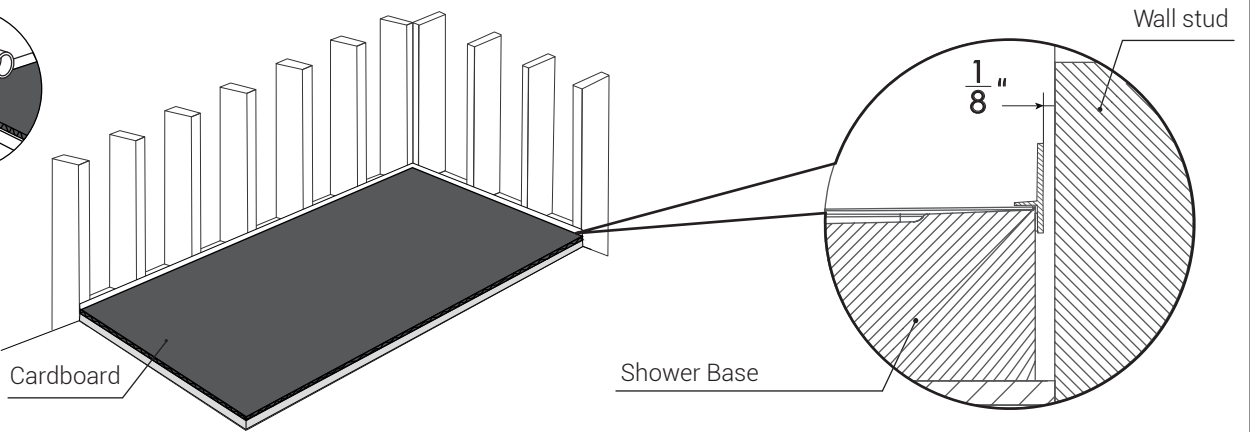
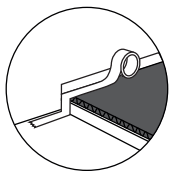


8

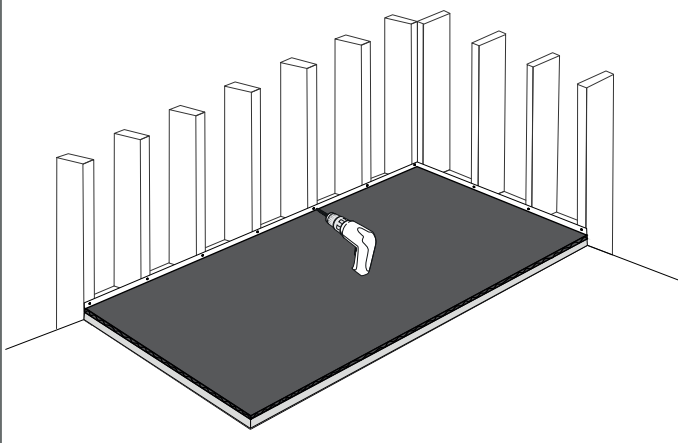
Install Shower tray at the right position.



9

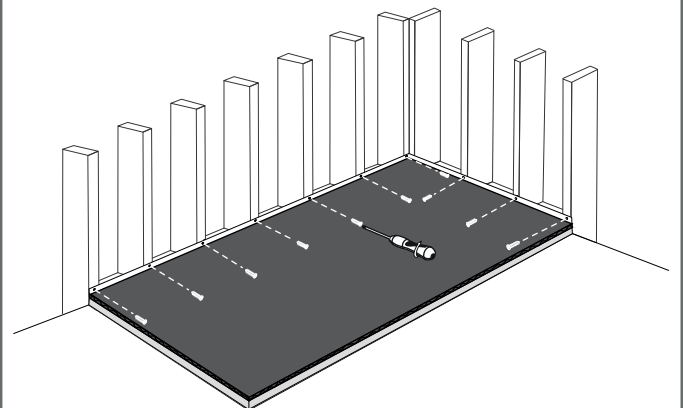


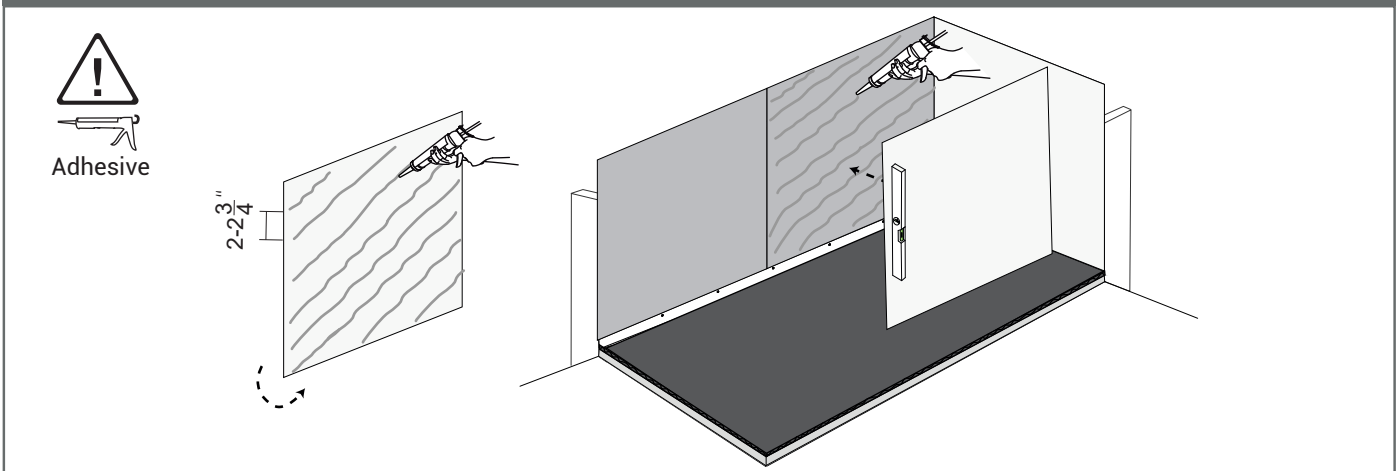
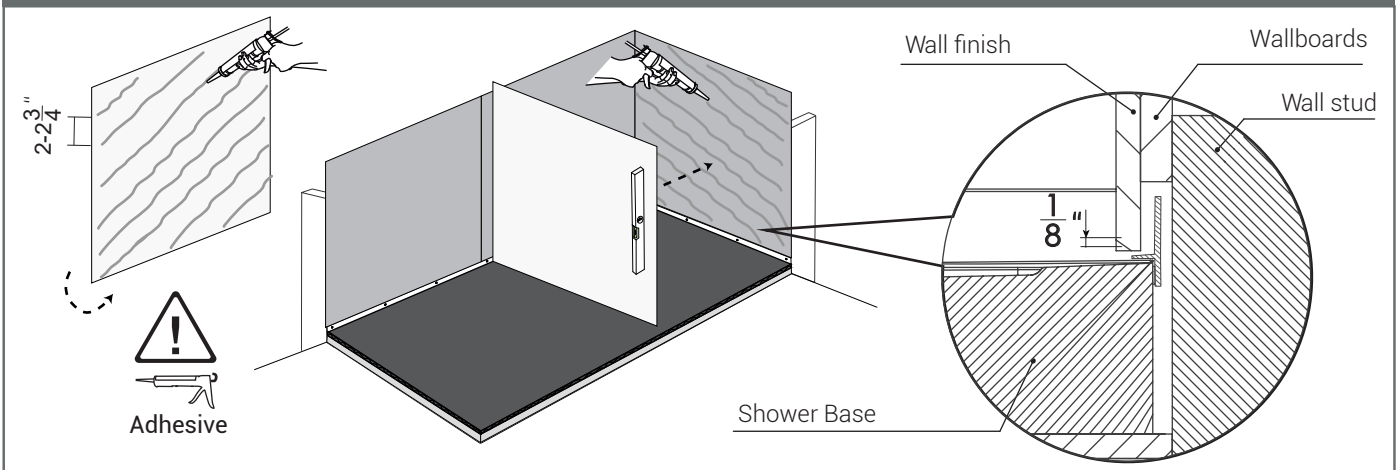
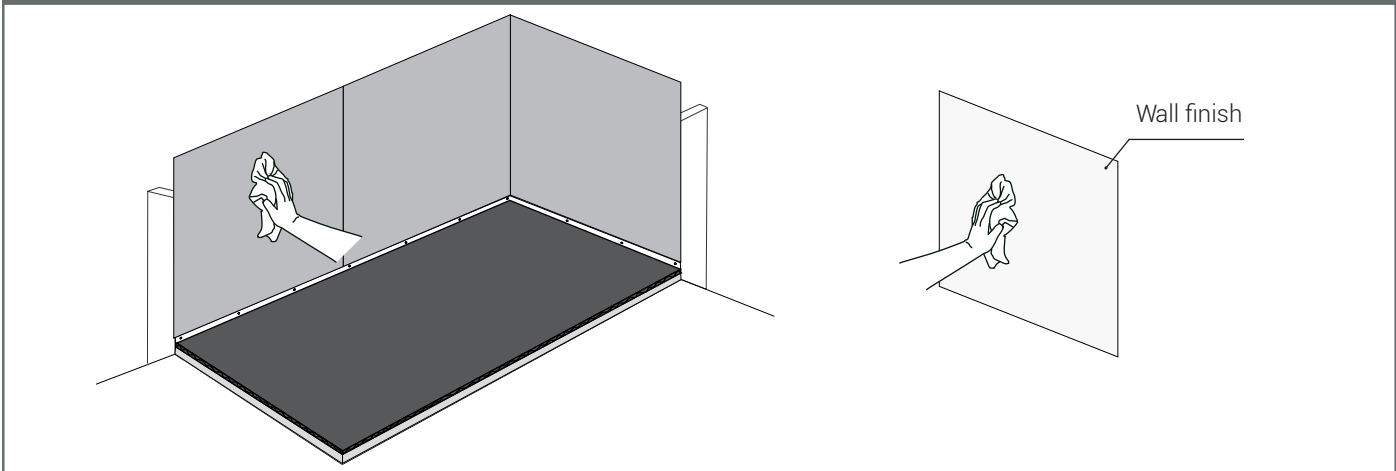
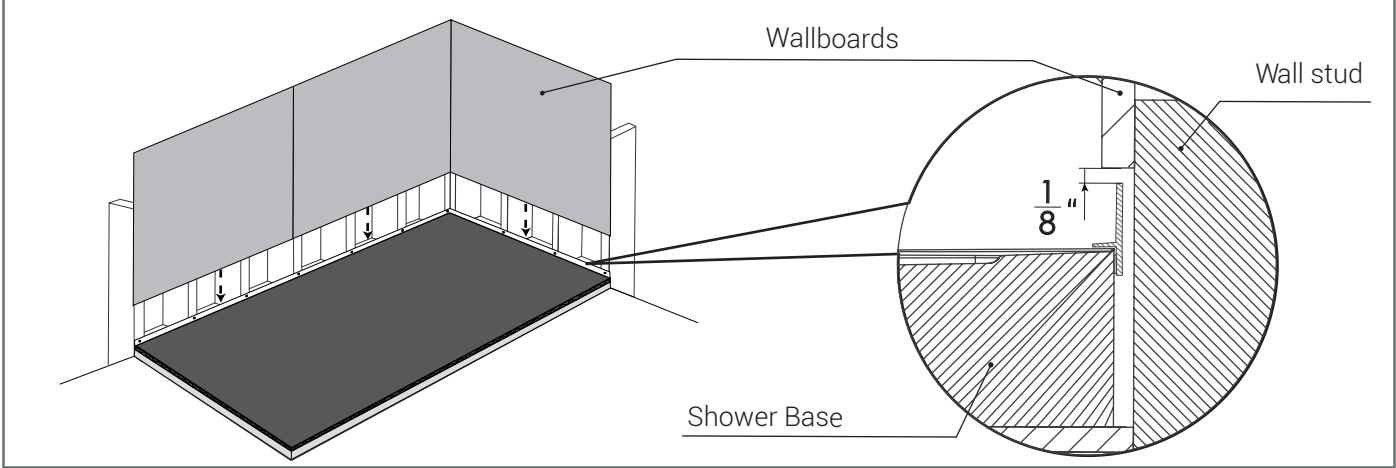
10

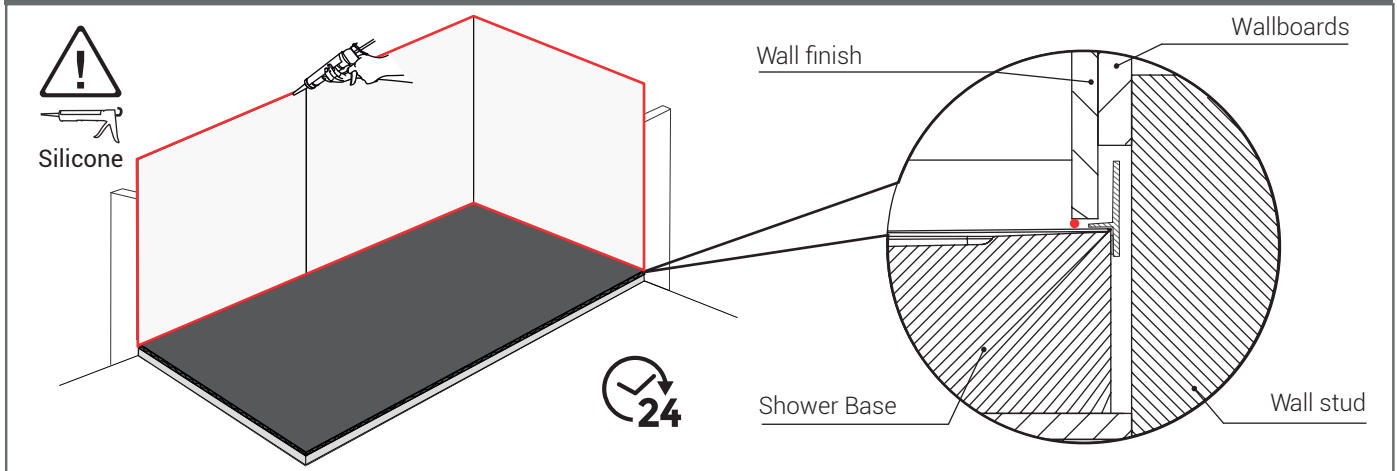
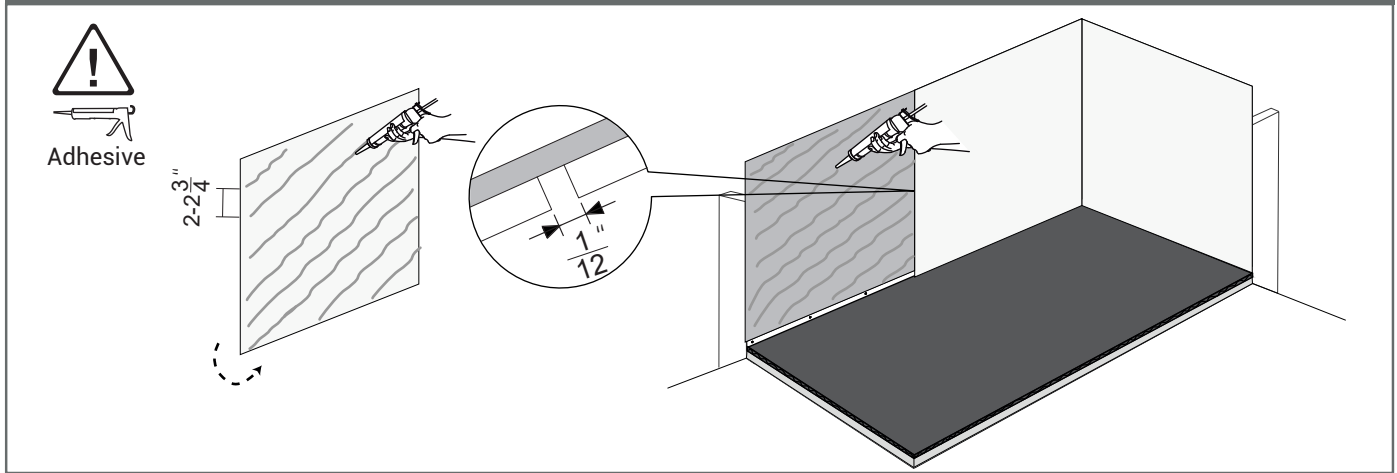


11

Screw tile flanges to the wall studs if necessary.







CLEANING INSTRUCTIONS

SOLID COLOURS

Once the shower tray has been installed, to eliminate any cement glue residue or mortar residue that have remained in the same, use descaling for joints or cement removers. Avoid rubbing directly on the shower tray to avoid scratching.

It should be cleaned with water after use and ensure good ventilation of the bathroom.

For the routine cleaning of the shower tray, use water, liquid cleaners and soft cloths or non-abrasive sponges. Never use a scourer as they can damage the surface of the shower tray. Don't mix different products in cleaning.

Periodically, to remove any traces of lime that may remain in the shower tray, use a domestic anti-lime as follows:

- 1- Remove the grid from the drain and apply the anti-lime with a damp cloth on the entire surface of the shower tray.
- 2- Let the product act for 15 minutes, after this time, rinse with water.
- 3- Place the grid at his place and rinse again the shower tray.

Grid should be regularly cleaned, remove it from the drain and use a speciale stainless steel cleaner following instructions of products.

If hair dyes are used, rinse the shower tray with soap and water after the shower is finished.

The logo can be damaged in the cleaning process, cleaned gently.

When the surface of the shower tray is wet, increases the potential risk of slippage, this is more significant with the use of soap, shampoo, bath oils or similar products.

DECOR

Pay special attention to the product installation, any mortar or concrete residue may damage it. In the event you need to eliminate them, use a cement remover. Avoid rubbing directly on the shower tray to avoid scratching.

It should be cleaned with water after use and ensure good ventilation of the bathroom.

For the routine cleaning of the shower tray, use water, liquid cleaners and soft cloths or non-abrasive sponges. Never use a scourer as they can damage the surface of the shower tray. Don't mix different products in cleaning.

Periodically, to remove any traces of lime that may remain in the shower tray, use a domestic anti-lime as follows:

- 1- Remove the grid from the drain and apply the anti-lime with a damp cloth on the entire surface of the shower tray.
- 2- Let the product act for 15 minutes, after this time, rinse with water.
- 3- Place the grid at his place and rinse again the shower tray.

Avoid contact with nail polish, nail polish remover, solvents, etc. These contacts can damage the shower tray surface.

If hair dyes are used, rinse the shower tray with soap and water after the shower is finished.

The logo can be damaged in the cleaning process, cleaned gently.

When the surface of the shower tray is wet, increases the potential risk of slippage, this is more significant with the use of soap, shampoo, bath oils or similar products.