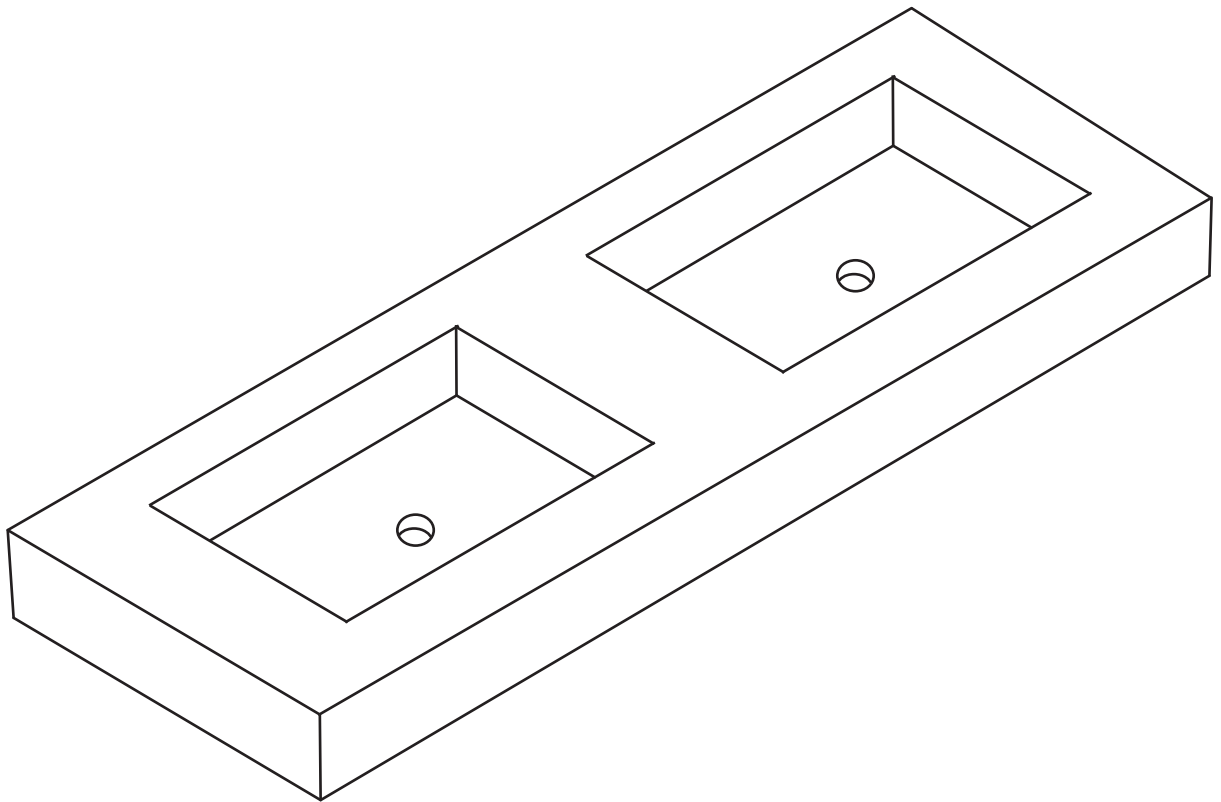


Royal Bath & Marble

your source for luxury

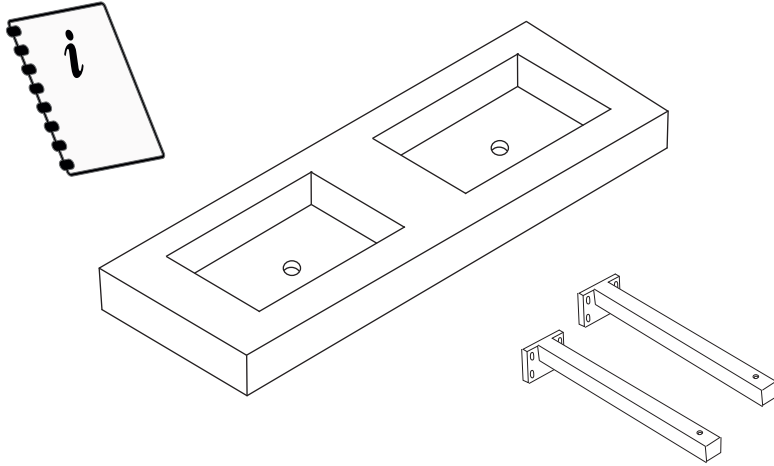
Installation Manual Petra

**5 YEARS
WARRANTY**



Montreal – New York
info@royalbathandmarble.com
Royalbathandmarble.com
1 800 413 5130

INCLUDED ITEMS

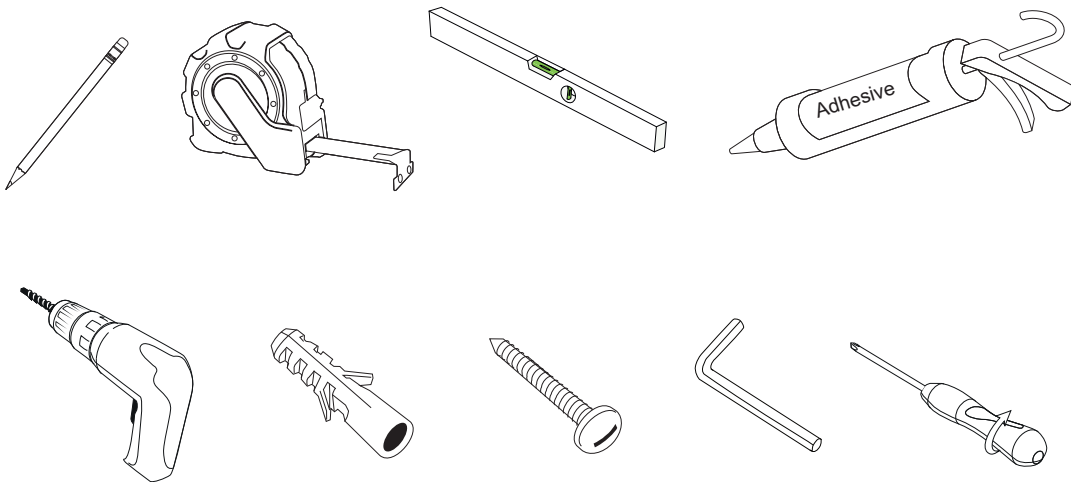


*Nº of units included according to washbasin's length.

From $27 \frac{2}{16}$ " to $47 \frac{1}{4}$ " -> 2 Units

From $55 \frac{1}{8}$ " -> 3 units.

NECESSARY TOOLS



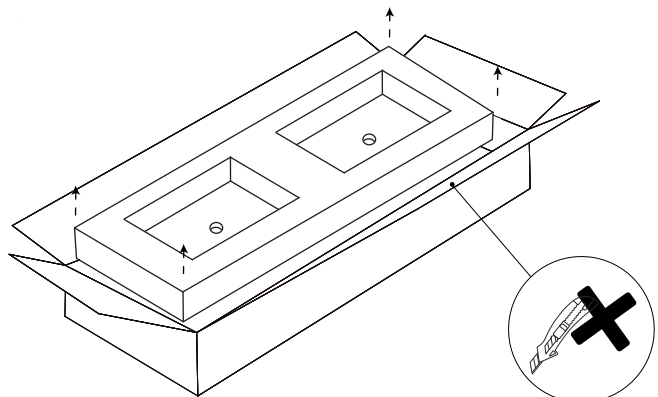
GUIDE TO INSTALL

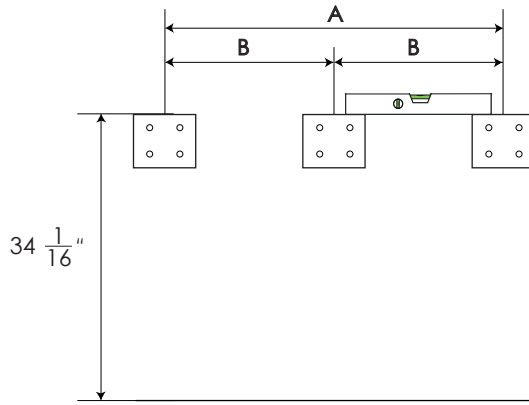
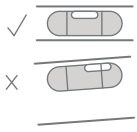
1



Please check immediately that delivered shower tray is in conformity with your order, doesn't have any imperfection, scratch, impact, etc, and is in perfect conditions for installation. Use for cleaning liquid soap, water and non-abrasive sponge or rag.

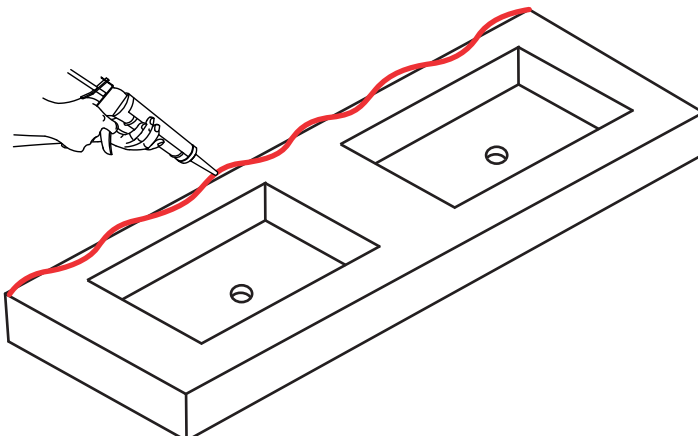
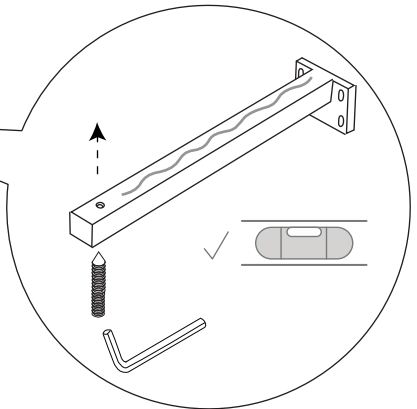
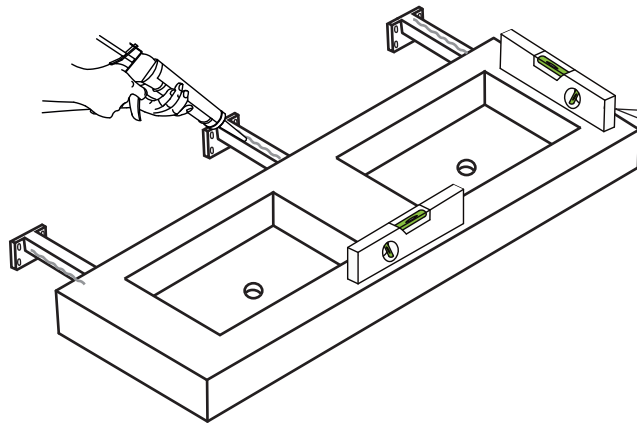
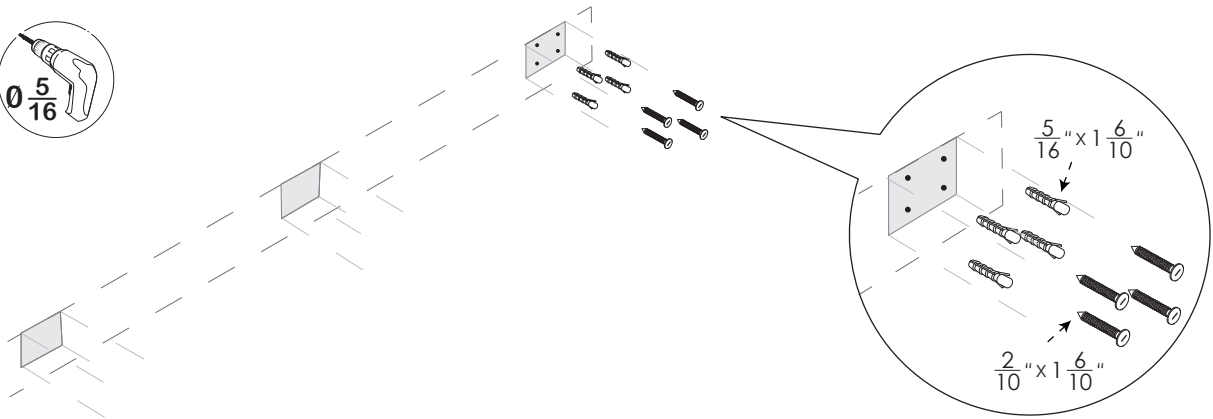
Do not fit and/or use the product without first having read the manuals in their entirety (and always remember to keep the said manuals). It should be installed by a professional fitter, following the instructions in the manual.





Washbasin Length A and B

Washbasin Length	A and B
27 $\frac{9}{16}$ "	A: 22 $\frac{7}{16}$ "
31 $\frac{1}{2}$ "	A: 24 $\frac{4}{10}$ "
39 $\frac{3}{8}$ "	A: 29 $\frac{4}{8}$ "
47 $\frac{1}{4}$ "	A: 33 $\frac{4}{8}$ "
55 $\frac{1}{8}$ "	B: 24 $\frac{5}{6}$ "



CLEANING INSTRUCTIONS

Once the product has been installed, to eliminate any cement glue residue or mortar residue that have remained in the same, use descaling for joints or cement removers. Avoid rubbing directly on the surface to avoid scratching.

For the routine cleaning, use water, liquid cleaners and soft cloths or non-abrasive sponges. Never use a scourer as they can damage the worktops surface . Don't mix different products in cleaning.

Periodically, to remove any traces of lime that may remain, use a domestic anti-lime as follows:

1- Apply the anti-lime with a damp cloth on the entire surface of the surface.

2- Let the product act for 15 minutes, after this time, rinse with water.

Avoid contact with nail polish, nail polish remover, solvents, etc. The logo can be damaged in the cleaning process, cleaned gently.