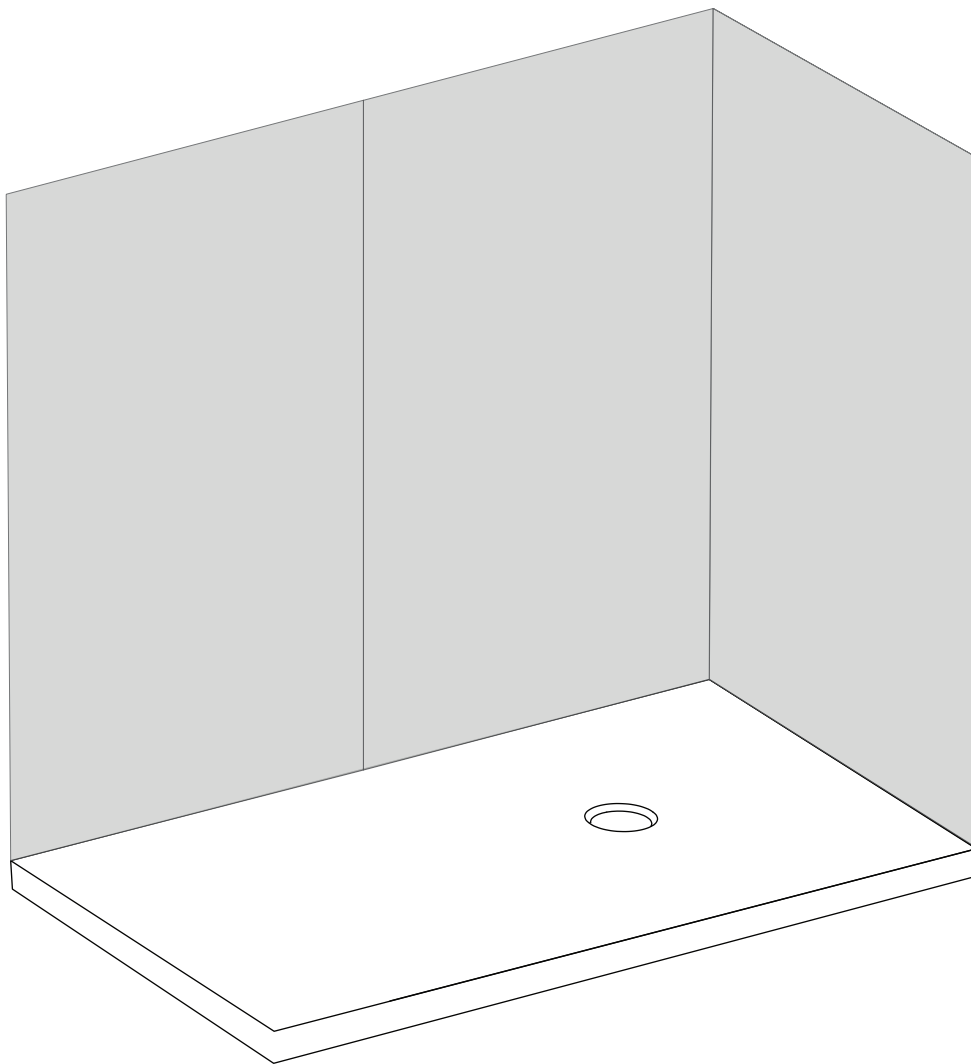


Royal Bath & Marble

your source for luxury

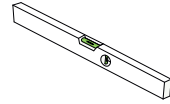
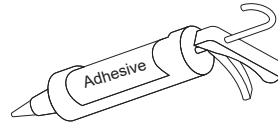
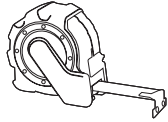
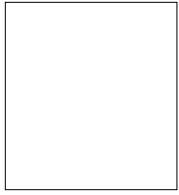
Installation Manual Panels

**5 YEARS
WARRANTY**



Montreal – New York
info@royalbathandmarble.com
Royalbathandmarble.com
1 800 413 5130

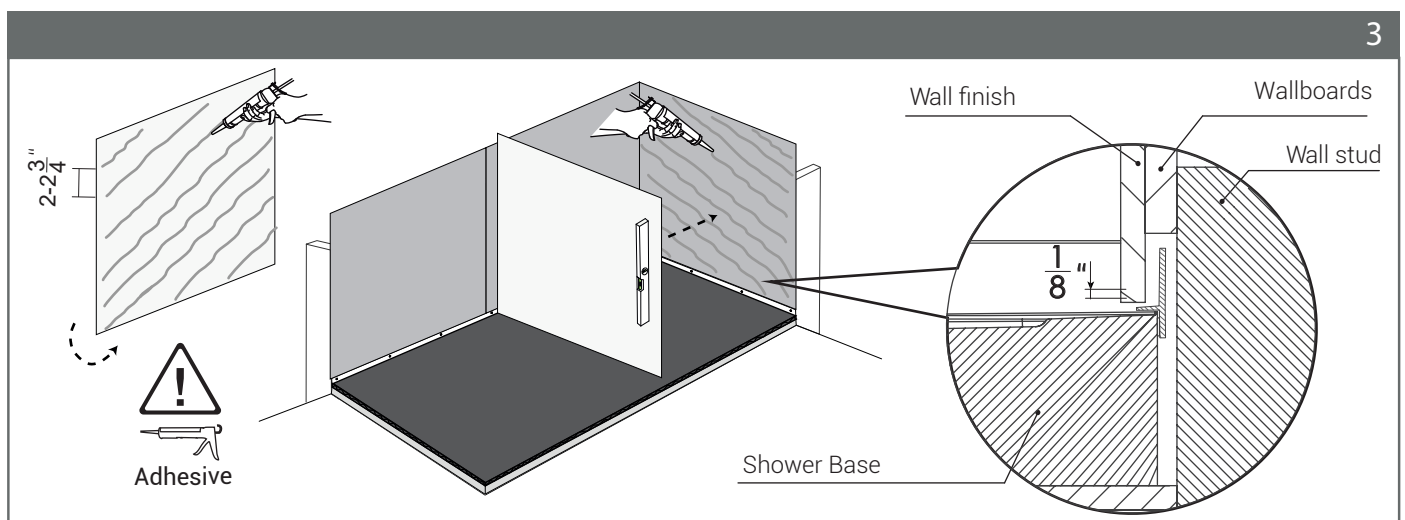
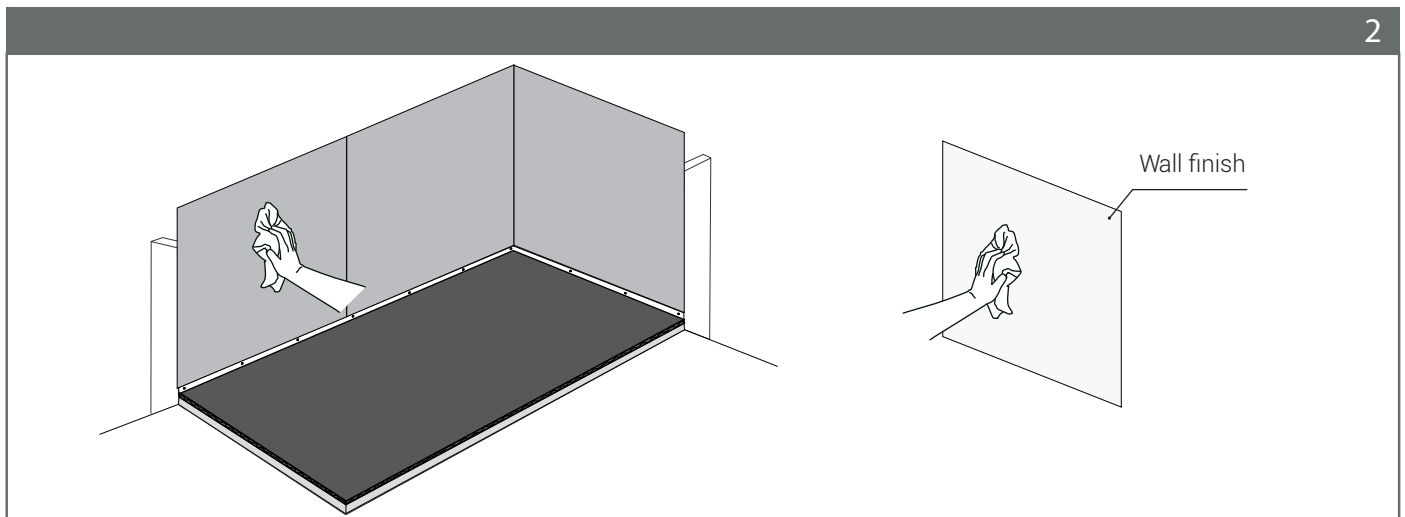
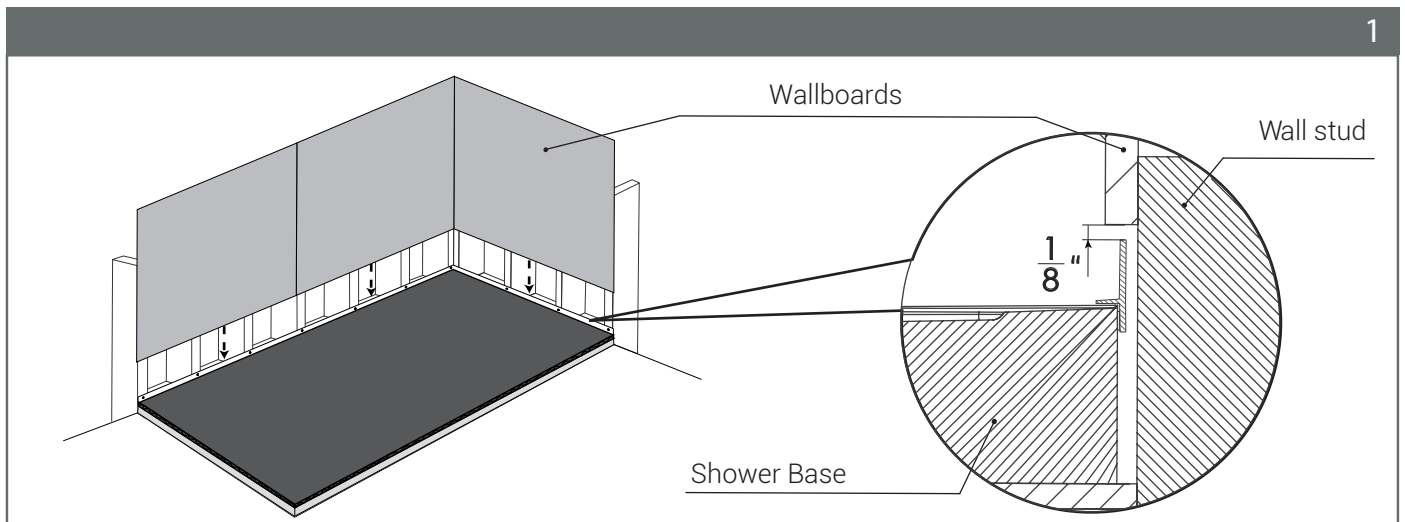
INCLUDED ITEMS

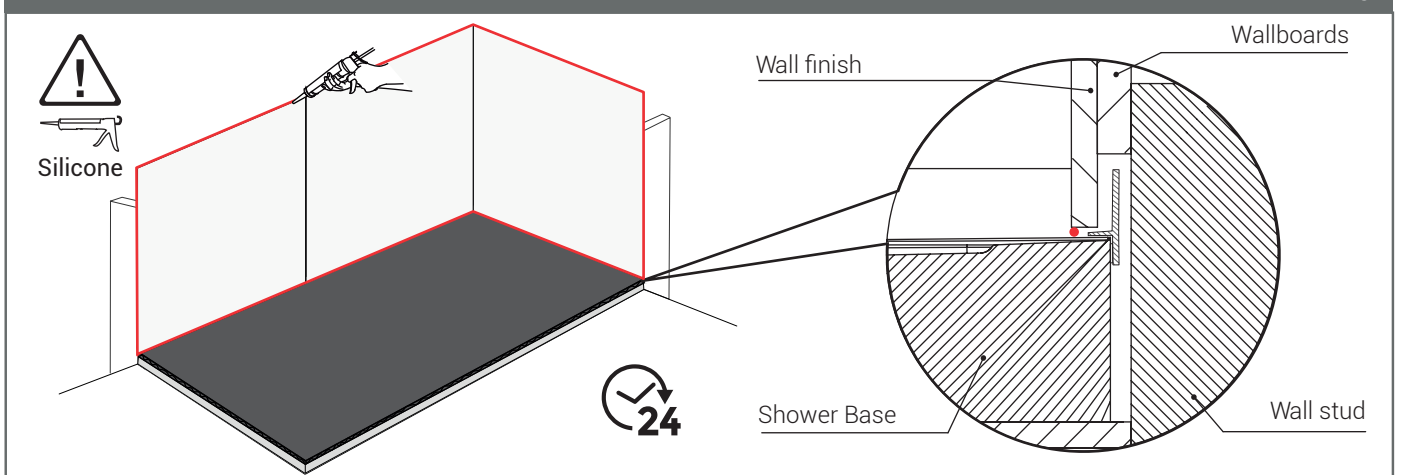
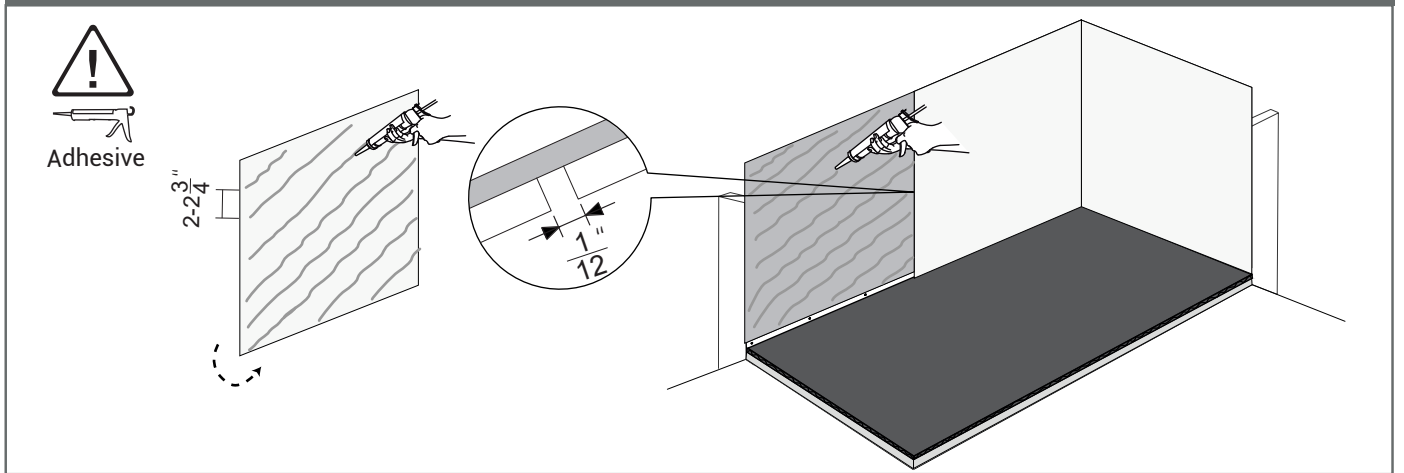
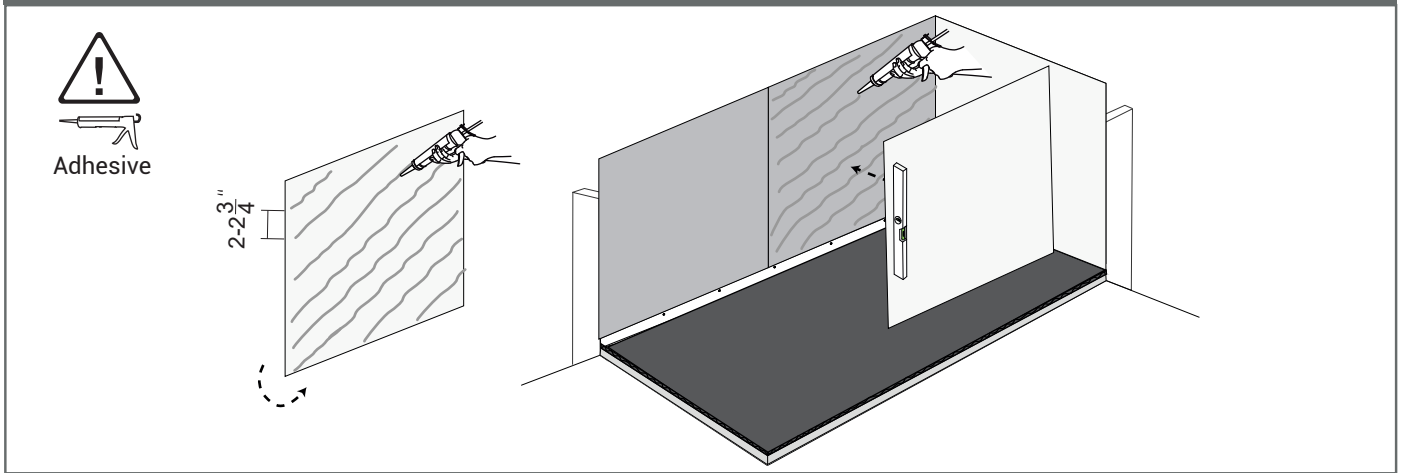


*According to measures units.

NECESSARY TOOLS

GUIDE TO INSTALL





CLEANING INSTRUCTIONS

Once the product is installed, apply a descaler for expansion joints or a cement remover, in order to eliminate any glue or concrete residue. To prevent scratches on the surface, avoid rubbing directly on it.

For daily cleaning, use water, liquid detergents and soft cloths or non-abrasive sponges, do not use scourers as they can damage the surface. Do not mix different cleaning products.

Periodically, in order to eliminate any residue of limescale, use a limescale remover following these steps:

1. Apply the limescale remover on all the surface using a damp cloth.
2. Leave the product for at least 15 minutes, then rinse with water.

Avoid contact with nail polish, nail polish remover, solvents, etc.