



PCEML



STANDARD



OPTIONAL



ILLUMINATION

- Long lasting, efficient ultra-bright white LED lamp heads.
- 1 watt (8 LEDs x 0.125 watt) per head.
- High-performance chrome-plated metalized reflector and plastic lens for optimal light distribution.
- Adjustable LED lamp heads provide optimal center-to-center spacing. High-lumen option available for increased center-to-center spacing.

ELECTRICAL

- Dual 120/277 voltage.
- Charge rate/power "ON" LED indicator light and push to test switch for mandated code compliance testing.
- 3.6V long-life, maintenance-free, rechargeable NiCd battery.
- Internal solid-state transfer switch automatically connects the internal battery to LED lamp heads for minimum 90-minute emergency illumination.
- Fully automatic solid-state, two-rate charger initiates battery charging to recharge a discharged battery in 24 hours.

MOUNTING

- Surface mount via quick-connect back plate; fits most standard size junction boxes and snaps into place to make internal electrical connections.
- Top and side knockout for conduit applications.
- Suitable for wall or ceiling mount.

HOUSING

- Injection-molded, engineering-grade, 5VA flame retardant, high-impact resistant, thermoplastic in white or black finish.

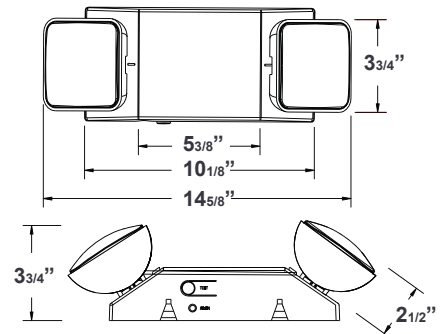
OPTIONS

- SDT: Self-diagnostic test feature performs monthly, biannually, and annually tests to ensure reliable operation and to meet electrical and life safety codes.
- HL: 12-LED heads (12 LEDs x 0.125 watt) per head provide increased center-to-center spacing.
- SPV: 208/220/240 multi-tap voltage in 50/60Hz.

WARRANTY/LISTING

- Five year warranty on all electronics and housing. Batteries pro-rated for five years.
- UL listed for damp locations. (0°C – 50°C)
- Meets UL924, NFPA101 Life Safety Code, NEC, OSHA, Local and State Codes.

DIMENSIONS



ORDERING INFORMATION

Notes:

1. Not available with SDT options.

Model	Housing Color	Options
PCEML	White	SDT Self-Diagnostics SPV 208/220/240 Volt, 50/60Hz ⁽¹⁾ HL High-Lumen