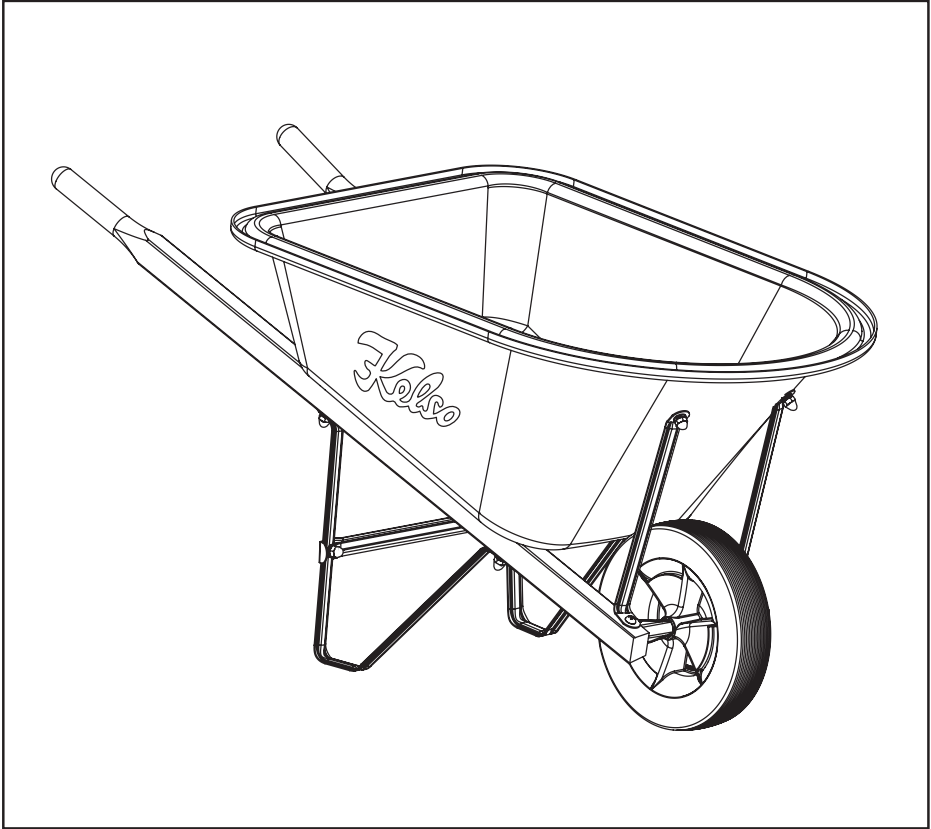


Kelso



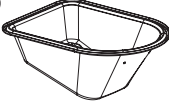





KIDS WHEELBARROW



ASSEMBLY INSTRUCTIONS

TOOLS REQUIRED








- Phillips Head Screw Driver
- 10mm or Adjustable Wrench
- Tape

PARTS

- (A)  TRAY
- (B)  HANDLE
- (C)  LEG (x2)
- (D)  LEG BRACE
- (E)  TRAY BRACE
- (F)  WHEEL

- (G)  AXLE
- (H)  AXLE HOLDER

HARDWARE PACK

- (I)  (x4)
 45 mm
- (J)  (x4)
 20 mm
- (K)  (x2)
- (L)  (x8)
- (M)  (x8)
- (N)  (10mm) (x8)
- (O)  (x8)

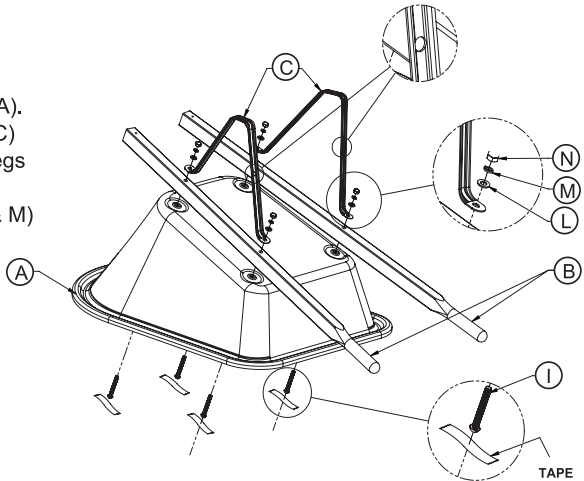
WARNING

Not a riding toy.
Not intended for transportation of people or animals.
Adult supervision required.

Note: Adult assembly required.
Do not tighten screws and nuts until the wheelbarrow has been completely assembled.

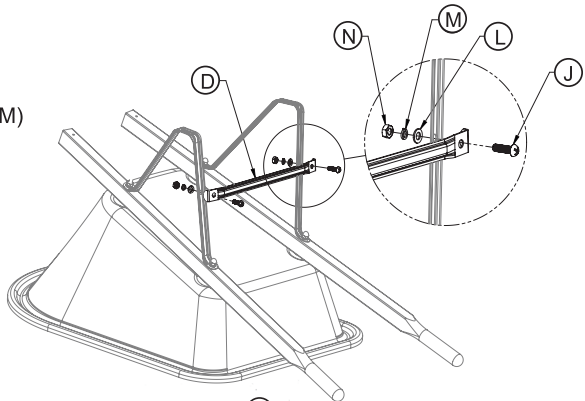
STEP 1:

- Tape bolts (I) to inside of tray (A).
- Assemble handles (B) and legs (C) onto bolts. Be sure to orient the legs as shown.
- Loosely secure with washers (L & M) and nuts (N) as shown.



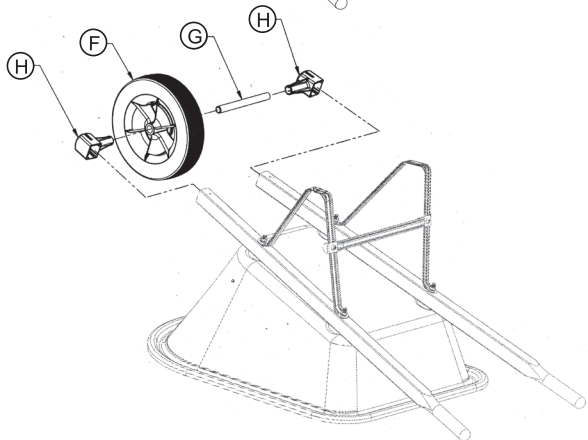
STEP 2:

- Assemble leg brace (D) onto legs with bolts (J).
- Loosely secure with washers (L & M) and nuts (N).



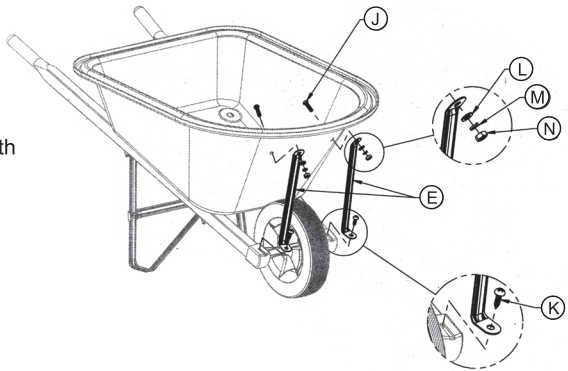
STEP 3:

- Insert axle (G) through wheel (F).
- Insert both ends of axle into axle holders (H).
- Assemble axle holders onto ends of handles.



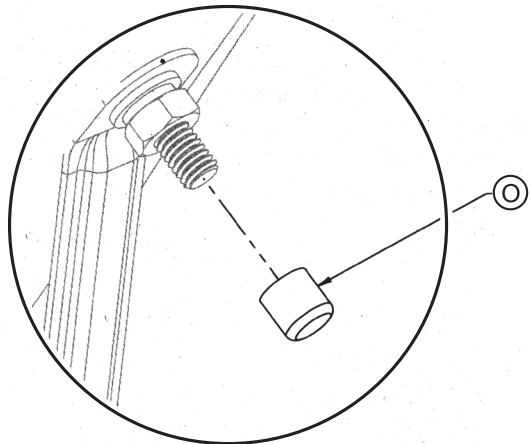
STEP 4:

- Assemble tray braces (E) to tray.
- Loosely secure with bolts (J), washers (L & M) and nuts (N).
- Assemble tray braces to handles with wood screw (K).
- Tighten all fasteners.



STEP 5:

- Snap protective caps (O) on exposed ends of all bolts.



1 YEAR WARRANTY

AMES Australasia Pty Ltd ABN 89 169 427 061 provides that this Kelso product is covered by a 12-month warranty from the date of purchase, against faulty workmanship and/or materials with the exception of tyre/s, which are covered by a 6 month warranty. To make a claim, return the faulty item together with proof of purchase to the place of purchase. If the original supplier cannot be contacted then please call AMES Australasia Pty Ltd and we can direct you on how to proceed with your warranty claim. If the fault is assessed to be a failure due to faulty materials or manufacturing, then the product will be repaired or replaced without charge for labour or any defective parts. This warranty does not cover normal wear and tear, misuse or abuse. Our goods come with guarantees that cannot be excluded under the Australian Consumer Law. You are entitled to a replacement or refund for a major failure and compensation for any other reasonably foreseeable loss or damage. You are also entitled to have the goods repaired or replaced if the goods fail to be of acceptable quality and the failure does not amount to a major failure.

AMES Australasia Pty Ltd, 1/660 Doncaster Road,
Doncaster, Victoria, Australia, 3108.

Call: (Australia) 1800 335 019

E-mail: customerservice@amesau.com