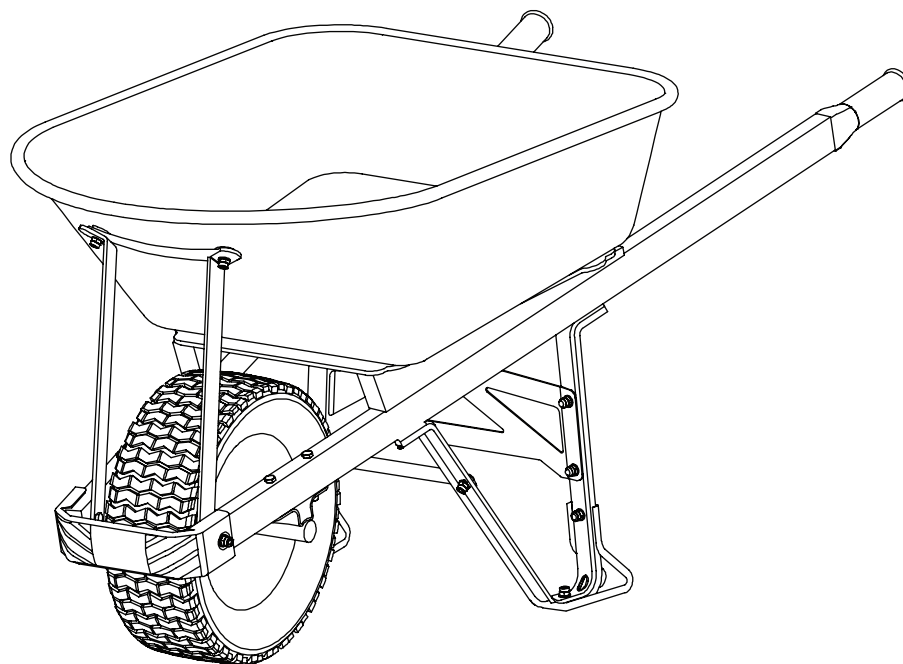
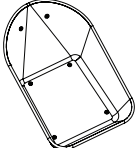
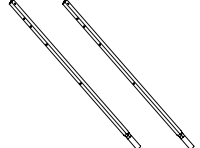
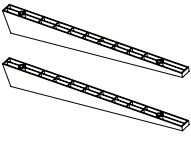
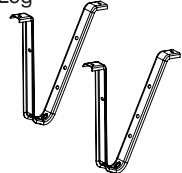
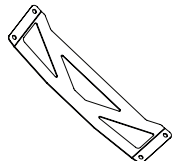
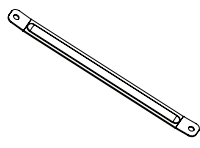
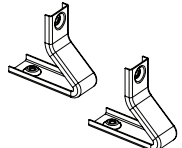
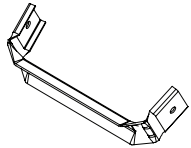
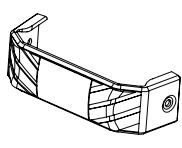

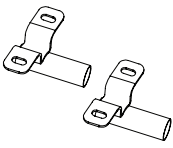
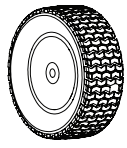
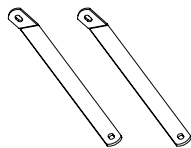
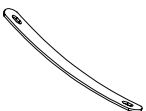
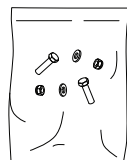


Kelso

KWB100 WORKMAN WHEELBARROW



PARTS LIST

A x1 Tray + Shock Board  Part # 99130564 (Steel) Part # 99130571 (Poly)	B x2 Handle  Part # 99130588	C x2 Plastic Wedge  (Steel Tray Only)	D x2 Leg 	E x1 Rear Leg Brace 
F x1 Front Leg Brace 	G x2 Leg Stabiliser 	H x1 Nose 	I x1 Nose Guard 	J x1 Axle 
K x2 Axle Bracket 	L x1 Wheel 	M x2 Tray Support 	N x1 Tray Brace 	Z x1 Fastener Kit 

FASTENER KIT CONTENTS

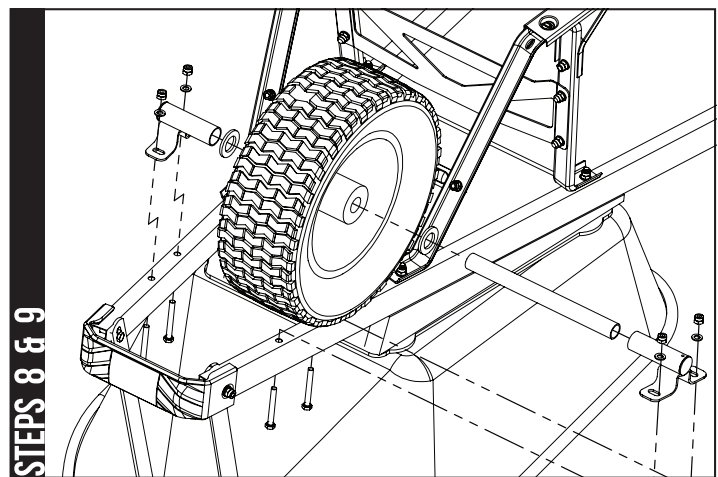
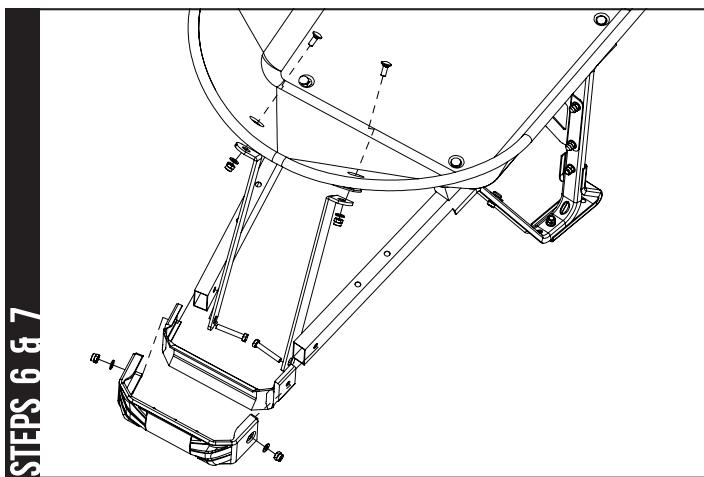
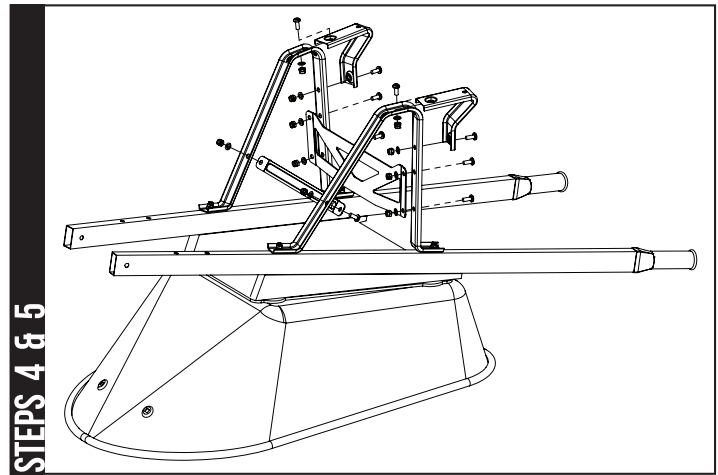
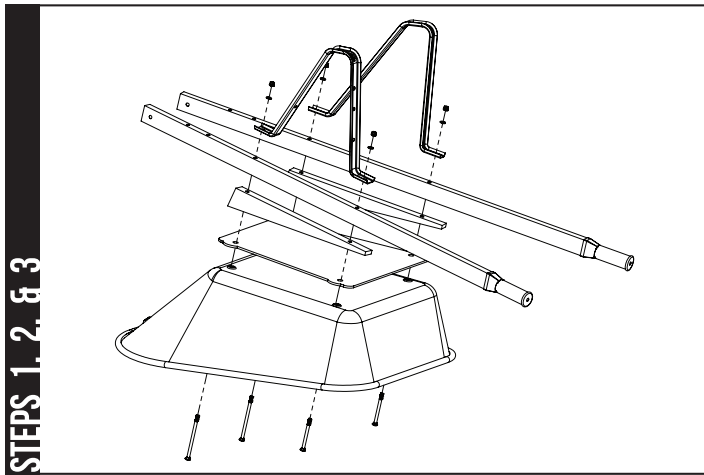
REF	TYPE	SIZE	QTY
O	Mushroom Head Screw	M8 x 20mm	10
P	Hex Bolt	M8 x 50mm	2
Q	Hex Bolt	M8 x 65mm	4
R	Carriage Bolt (Steel Tray)	M8 x 20mm	2

REF	TYPE	SIZE	QTY
S	Pan Head Bolt (Poly Tray)	M8 x 20mm	2
T	Carriage Bolt (Steel Tray)	M8 x 140mm	2
U	Pan Head Bolt (Poly Tray)	M8 x 20mm	2
V	Pan Head Bolt (Poly Tray)	M8 x 80mm	4

REF	TYPE	SIZE	QTY
W	Hex Lock Nut Nylon Insert	M8	22
X	Retainer Clips	M8	4
Y	Flat Washer	M8 x 1.6mm	18
Z	Flat Washer	M26 x 4.0mm	2



ASSEMBLY INSTRUCTIONS



1. Push bolts (S & T or V) through bottom of tray (A) and wedges (C) [steel tray only].
2. Turn tray over, place handles (B) over bolts and lower onto wedges (steel tray only).
3. Place leg (D) over bolts making sure the 3 holes in leg are facing the back of the tray and then loosely attach to handle with nuts (W). Repeat for other leg.
4. Place rear leg brace (E) across back of leg and loosely attach using four bolts (O), washers (X) and nuts (W) through holes at top of brace (closest to tray). Attach front Leg Brace (F) using the same method.
5. Assemble leg stabilizer (G) to bottom of leg. Loosely attach with bolts (O), washers (X) and nut (W).
6. Attach Nose (H) and Nose Guard (I) to front of handles. Press Nose (H) and Nose Guard (I) together. Push bolt (P) through bottom of Tray Support (M), then through handle and finally through hole in Nose (H). Attach loosely with washer (X) and nut (W).
7. Use bolts (R or U) with washers (X) and nuts (W) to attach Tray Supports and Tray Brace (N) to front of tray.
8. Attach one axle bracket (K) to bottom of handle using two bolts (Q) pushed through handle and then through axle bracket. Attach loosely with washers (X) and nuts (W).
9. Slide axle (J) through wheel (G), washers (Y) and then into attached bracket. Then slide second axle bracket (K) over other end of axle. Loosely attach second axle bracket to handle.
10. Use a 13mm spanner or socket to fully tighten all nuts.

TOOLS REQUIRED FOR ASSEMBLY

- 13mm Spanner & Sockets
- Flat Head Screwdriver